



Electrical Circuit Diagrams





DISCOVERY

2003MY

Electrical Circuit Diagrams

Publication Part No. LRL 0553ENX

Published by Land Rover

© 2002 Land Rover

All rights reserved. No part of this publication may be reproduced, stored in a retrieval system or transmitted in any form, electronic, mechanical, recording or other means without prior written permission from Land Rover.

COLOUR CODES**DRAADKLEURCODES****CODICI COLORI DEI CAVI****CODES DES COULEURS DES FILS****CODIGOS DE COLORES DE LOS CABLES****KABELFARBCODES****CÓDIGOS DAS CORES DOS FIOS**

CODE	COLOUR	CODE	KLEUR	CODE	COULEUR	CODE	FARBE	CODICE	COLORE	CODIGO	COLOR	CÓDIGO	COR
B	BLACK	B	ZWART	B	NOIR	B	SCHWARZ	B	NERO	B	NEGRO	G	PRETO
G	GREEN	G	GROEN	G	VERT	G	GRÜN	G	VERDE	G	VERDE	K	VERDE
K	PINK	K	ROZE	K	ROSE	K	ROSA	K	ROSA	K	ROSA	LG	ROSA
LG	LIGHT GREEN	LG	LICHTGROEN	LG	VERT CLAIR	LG	HELLGRÜN	LG	VERDE CHIARO	LG	VERDE CLARO	N	VERDE CLARO
N	BROWN	N	BRUIN	N	BRUN	N	BRAUN	N	MARRONE	N	MARRON	O	CASTANHO
O	ORANGE	O	ORANJE	O	ORANGE	O	ORANGE	O	ARANCIONE	O	NARANJA	P	LARANJA
P	PURPLE	P	PAARS	P	VIOLET	P	LILA	P	PORPORA	P	PURPURA	R	ROXO
R	RED	R	ROOD	R	ROUGE	R	ROT	R	ROSSO	R	ROJO	S	VERMELHO
S	SLATE (grey)	S	LEIGRIJS	S	GRIS	S	GRAU	S	ARDESIA (grigio)	S	PIZARRO (gris)	U	CINZENTO
U	BLUE	U	BLAUW	U	BLEU	U	BLAU	U	BLU	U	AZUL	W	AZUL
W	WHITE	W	WIT	W	BLANC	W	WEISS	W	BIANCO	W	BLANCO	Y	BRANCO
Y	YELLOW	Y	GEEL	Y	JAUNE	Y	GELB	Y	GIALLO	Y	AMARILLO	Y	AMARELO

CONTENTS

1 POWER DISTRIBUTION	6	31 CRUISE CONTROL	66	44 INTERIOR LAMPS	112
Engine Compartment Fuse Box	6	32 ELECTRONIC AUTOMATIC TRANSMISSION	68	46 INTERIOR ILLUMINATION	114
Passenger Compartment Fuse Box	10	33 ACTIVE CORNERING ENHANCEMENT (ACE)	70	47 INSTRUMENTS	118
2 EARTH DISTRIBUTION	14	34 SELF LEVELING AND ANTI-LOCK BRAKING SYSTEM (SLABS)	72	48 CLOCK	122
3 ANTI-THEFT ALARM	20	35 ANTI-LOCK BRAKING SYSTEM (ABS)	76	48 HORN (S)	124
4 CENTRAL DOOR LOCKING	24	36 SUPPLEMENTARY RESTRAINT SYSTEM (SRS)	80	49 ACCESSORY SOCKET	126
5 WINDOWS	28	38 AIR CONDITIONING	82	49 CIGAR LIGHTER	128
Front	28	39 HEATER	86	50 AUDIO SYSTEMS	130
Rear	30	39 FUEL BURNING HEATER	88	Base and mid line	130
6 SUNROOF	32	40 HEATED FRONT SCREEN	90	High Line	132
7 DOOR MIRRORS	34	40 HEATED REAR WINDOW	92	55 NAVIGATION SYSTEMS	136
Folding	36	42 WIPERS AND WASHERS	94	60 HEADER JOINTS	140
8 SEATS	38	Front	94	65 SPLICES AND CENTRE TAPS	150
Heated	42	Rear	96	75 PARK DISTANCE CONTROL (PDC)	156
10 DIAGNOSTIC SOCKET	44	43 EXTERIOR LAMPS	98	80 TRAILER SOCKET	158
11 BODY CONTROL UNIT	46	Head, side and tail lamps	98		
15 CHARGING AND STARTING	50	Headlamp levelling	100		
Td5	50	Lights on alarm	102		
V8	52	Direction indicator lamps\hazard warning	104		
20 ENGINE MANAGEMENT SYSTEM	54	Brake and reverse lamps	106		
Td5	54	Fog lamps - Front	108		
V8	58	Fog lamps - Rear	110		
22 COOLING FANS	62				
25 SHIFT INTERLOCK	64				

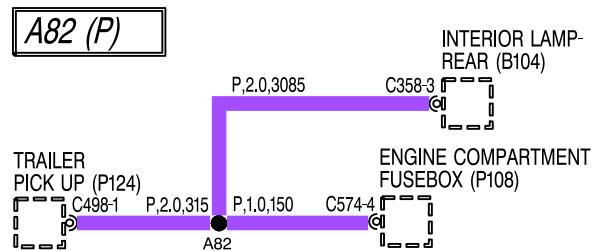
HOW TO USE THE CIRCUIT DIAGRAMS

All of the information in this folder is intended for use with the Electrical Reference Library booklet.

The circuit diagrams are presented with Power and Earth distribution first, followed by individual circuits for each electrical system on the car.

Power Distribution

The Power Distribution diagram shows the connections from the battery to the engine and passenger compartment fuseboxes. It also shows the internal circuitry of the fuseboxes.



86M4227A

The fuse box details are followed by independent functionally specific circuits and then a Splices and centre taps section outlining the way in which internal harness splices and centre taps distribute power in the harnesses. This information should be used during diagnosis of electrical faults to check for symptoms in associated circuits and narrow down the search area.

Earth Distribution

The ground distribution section comprises a number of Headers and Splices tables. These are used in a similar manner to those in Power Distribution; to narrow the search area by checking for fault symptoms in associated circuits.

Splices and centre taps

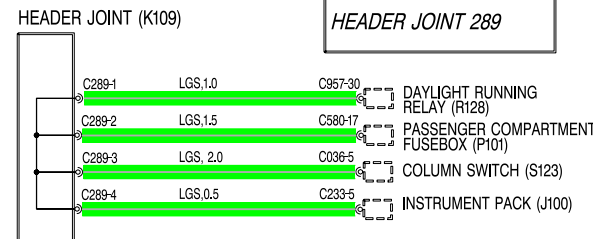
Header and splice tables present the joint(s) and wiring up to the first component. Splices are identified by a number with an alphabetical prefix and the wire colour.

The splice information shown on individual system circuits is not complete. Always refer to the splices circuit for complete information on each splice.

Wire length (Power & Earth Distribution only)

The length of the wire in millimetres. This can be used to locate internal harness splices; look for the shortest wire between the joint and connector. For example, it can be seen that C574-4 is 150mm from joint A82.

Connectors



86M4228A

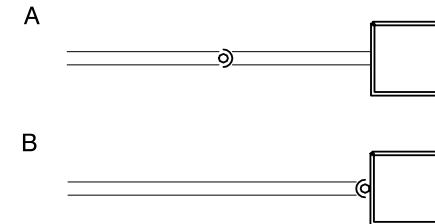
Header joints are identified by their corresponding connector number with a numbered suffix to indicate the pin-out detail of the wire, i.e. C289-1 identifies connector 289, pin number 1. Wire insulation colour is identified in the normal way. Where wires have a predominant colour with a secondary colour stripe, the main colour is identified first, i.e. LGS - Light Green with a Slate stripe.

Line Types



86M4229A

This means the wire connects to another circuit.



86M4230A

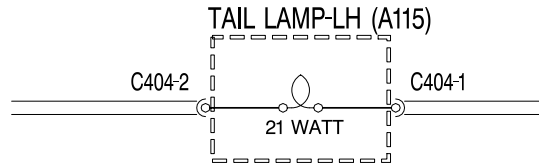
The cup and ball symbol indicates the male and female halves of connector.

A. Plug on lead (Flylead) wired directly to the component.

B. Connector plugs directly into component.

HOW TO USE THE CIRCUIT DIAGRAMS

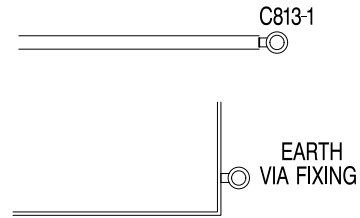
Components



86M4231A

The name or description of the component is shown. A dotted outline indicates that the component is not shown in its entirety.

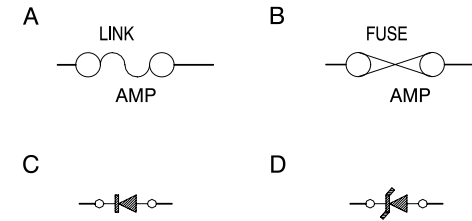
Earth points



86M4232A

Earth points are identified with an eyelet symbol and a connector number, except where components are grounded through their fixings, when only the eyelet is shown.

Fuses and Diodes

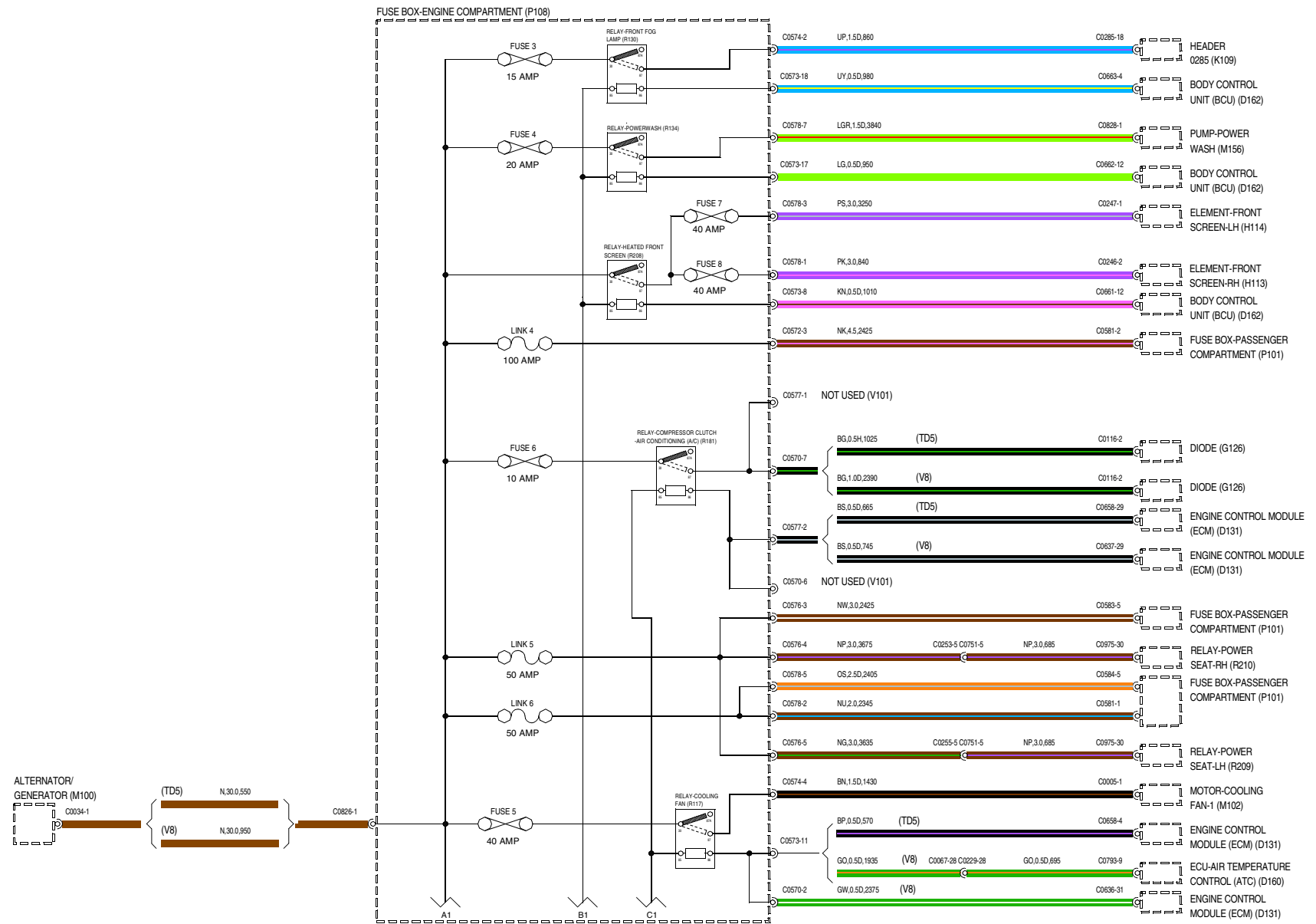


86M4234A

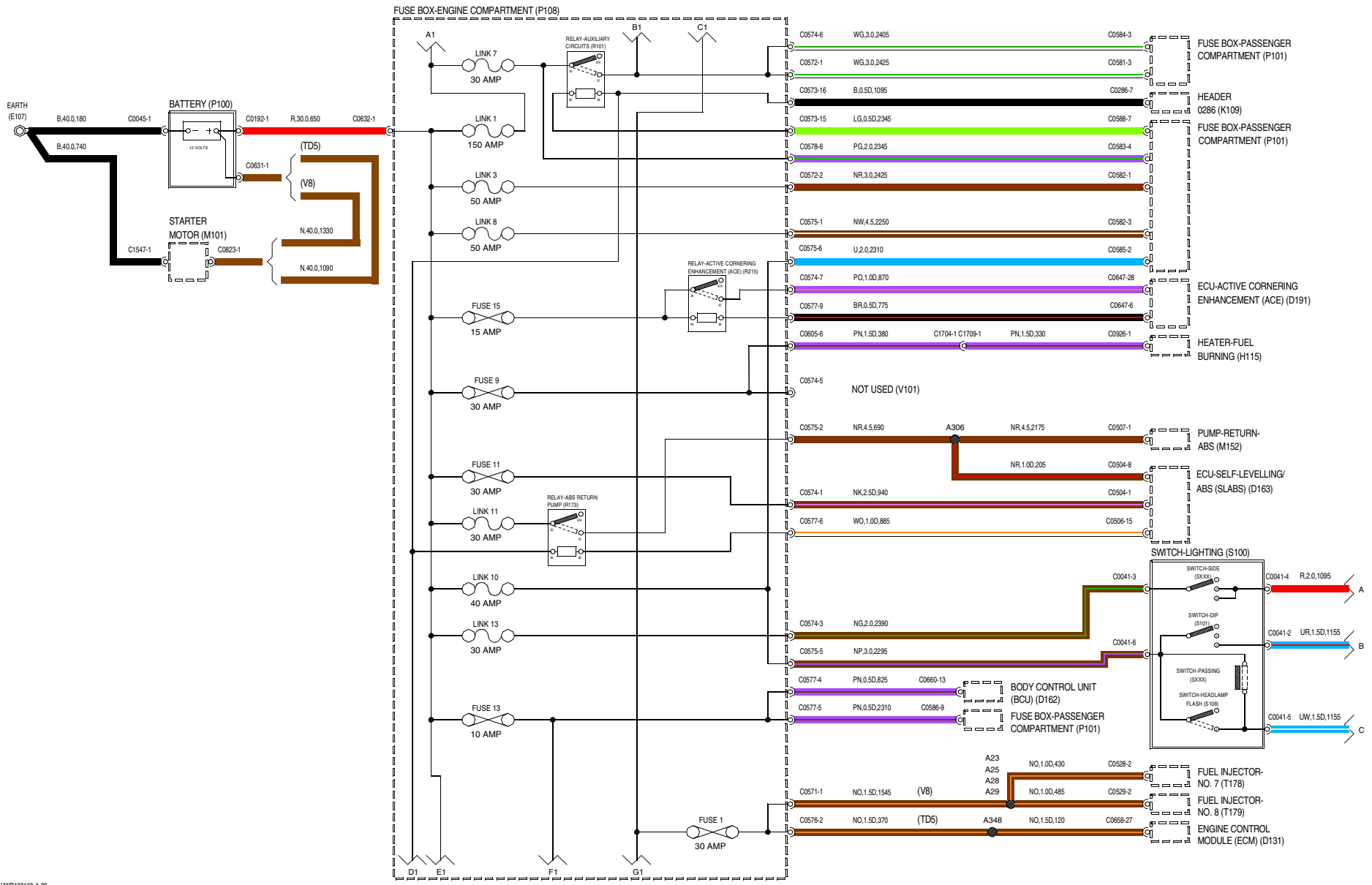
Fusible links (A) and current rated fuses (B) are identified as shown. The direction of the arrow in a Diode symbol (C) indicates the direction of current flow. The Zener diode (D) - prevents current flow until a precise voltage is reached.

1 POWER DISTRIBUTION

Engine Compartment Fuse Box



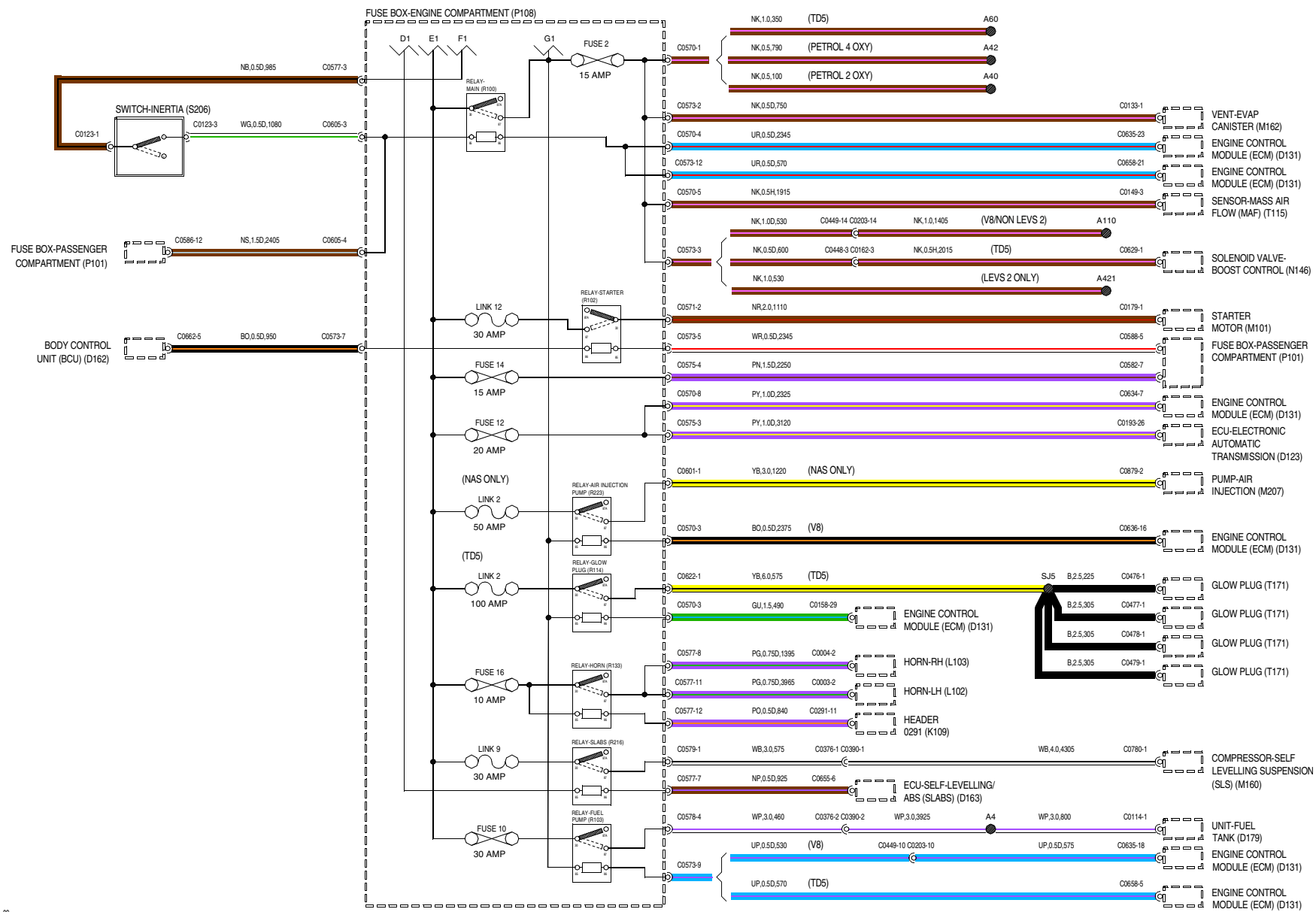
WVR102160-A-01



WR102160-A-02

1 POWER DISTRIBUTION

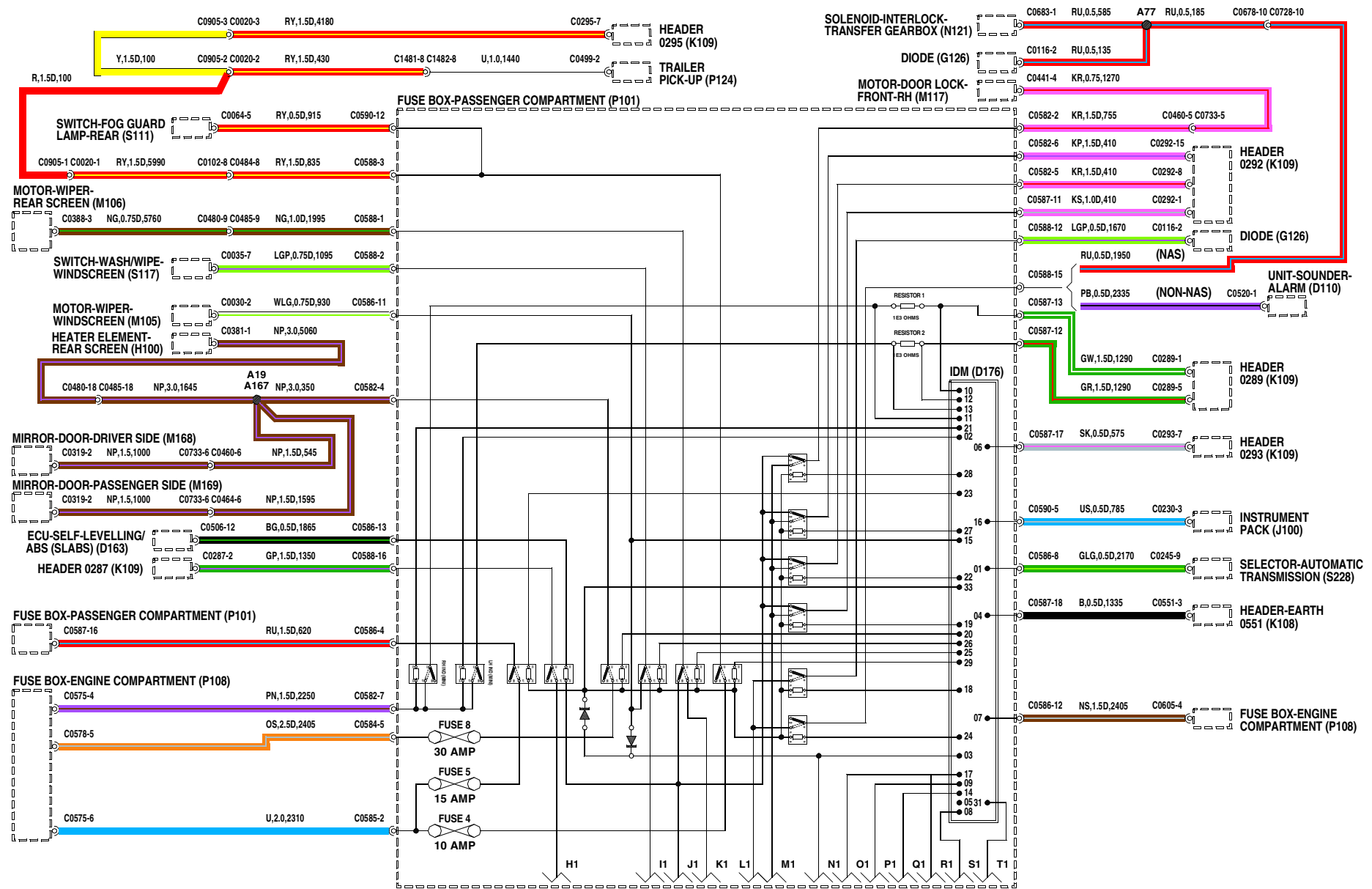
Engine Compartment Fuse Box



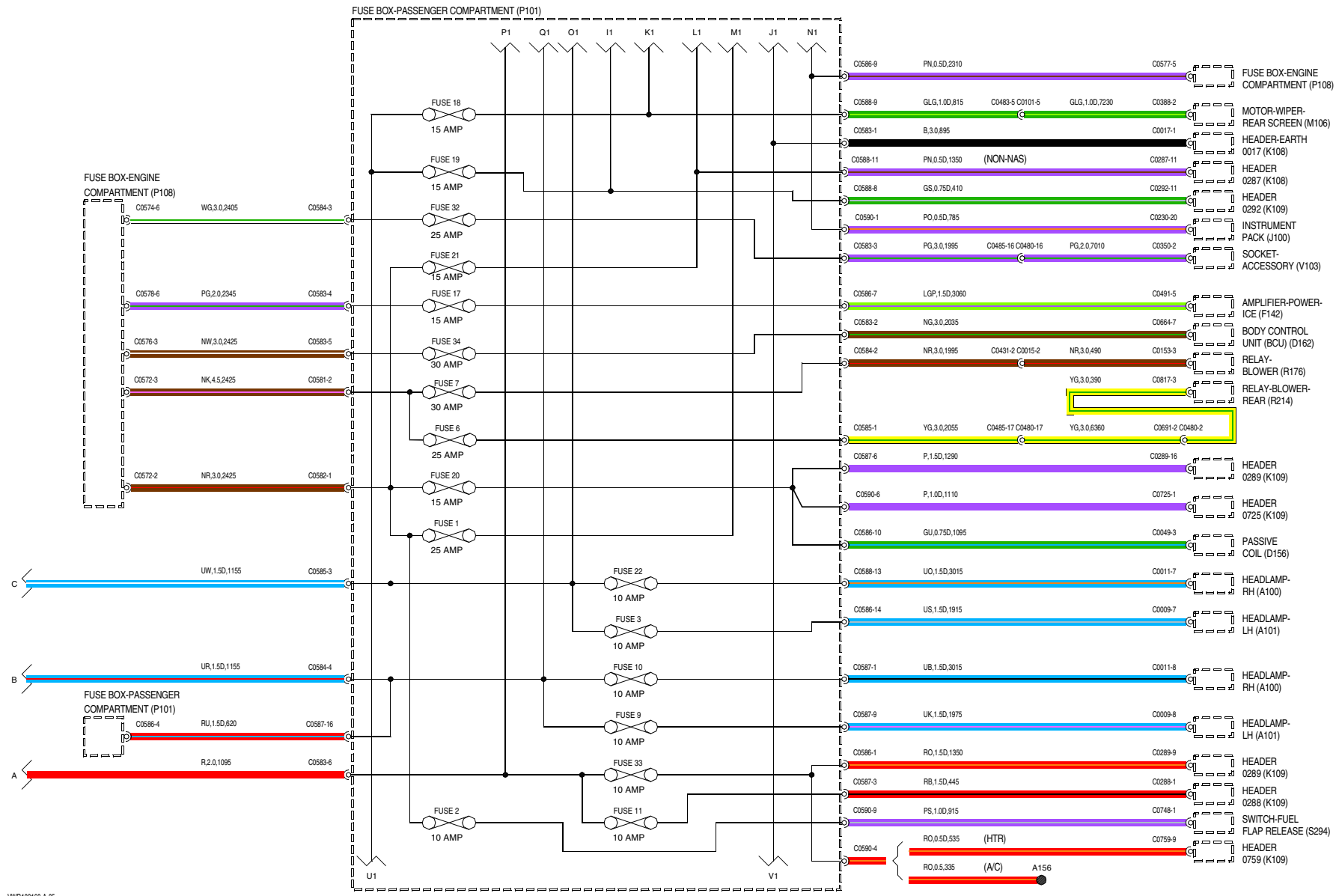
WVR102160-A-03

1 POWER DISTRIBUTION

Passenger Compartment Fuse Box



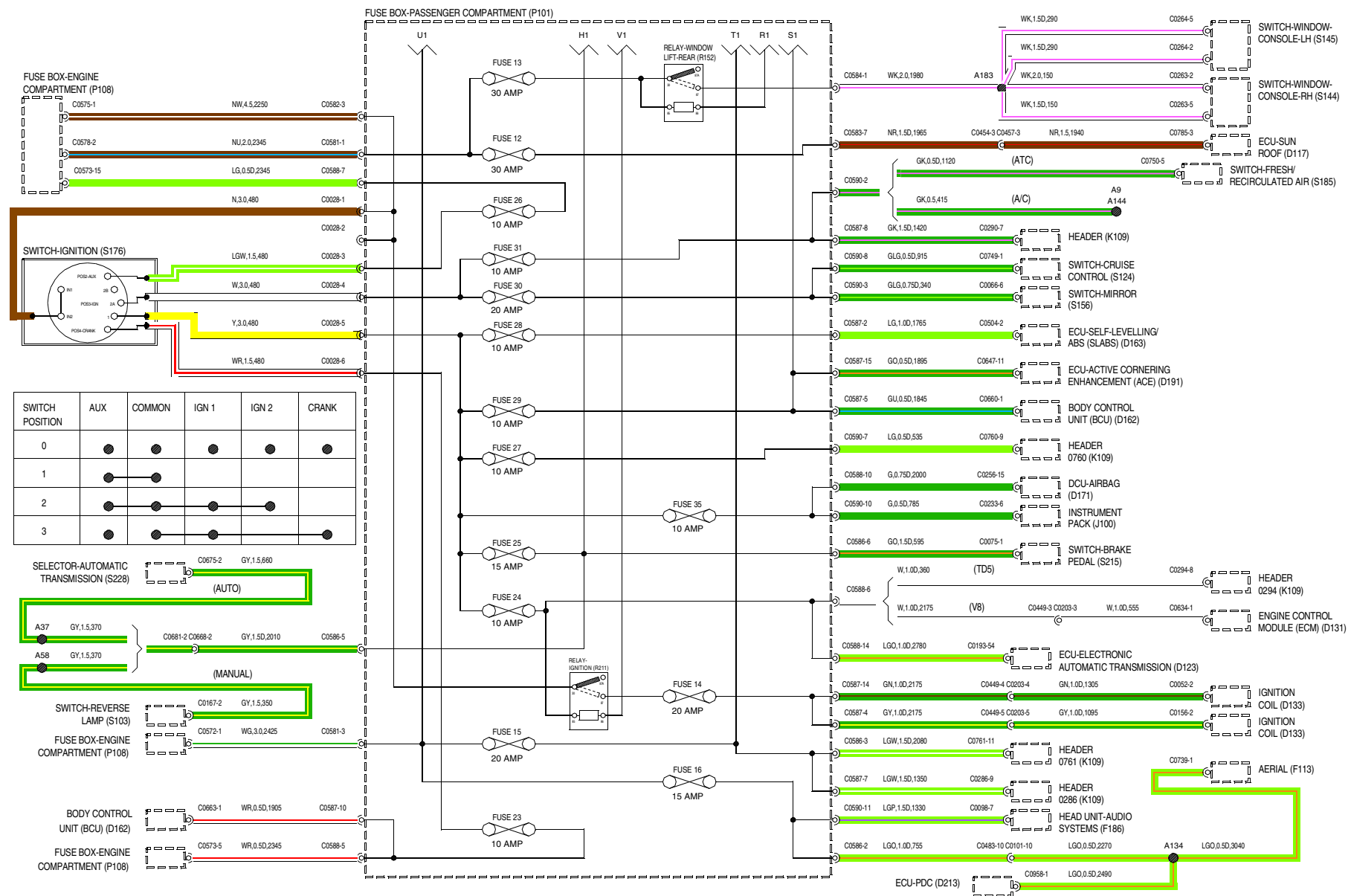
WVR102160-A-04



WVR102160-A-05

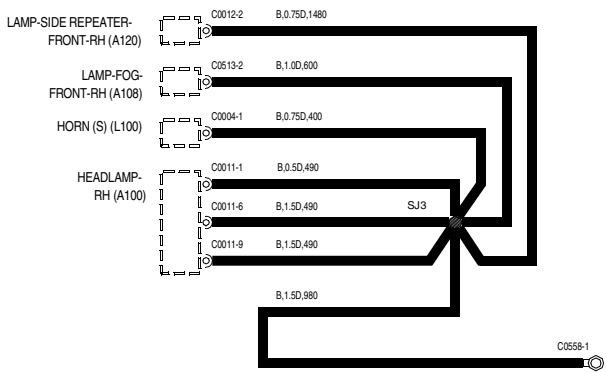
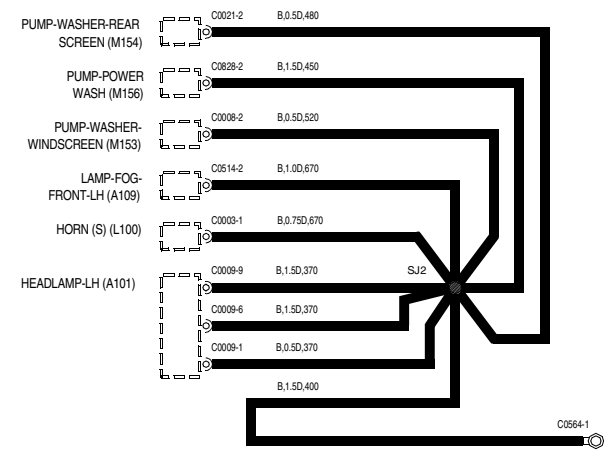
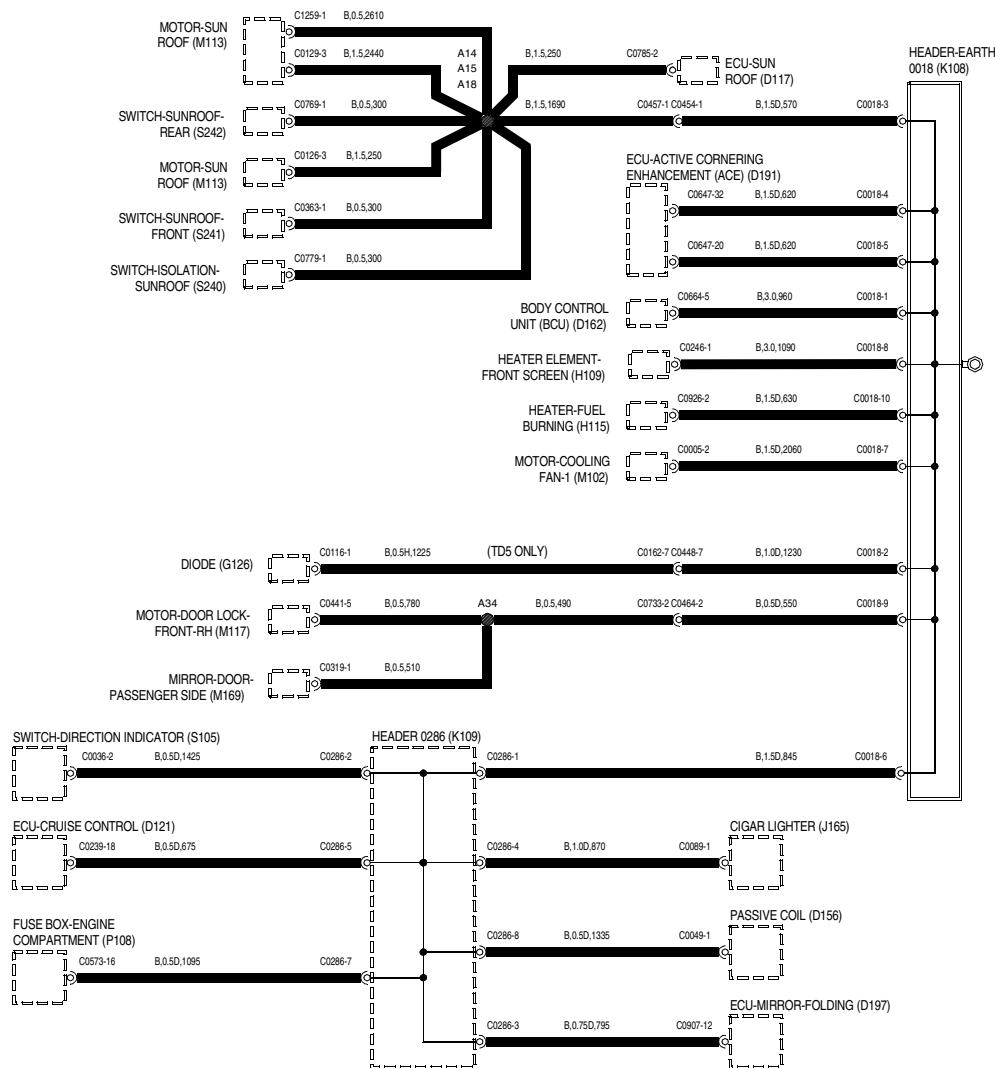
1 POWER DISTRIBUTION

Passenger Compartment Fuse Box

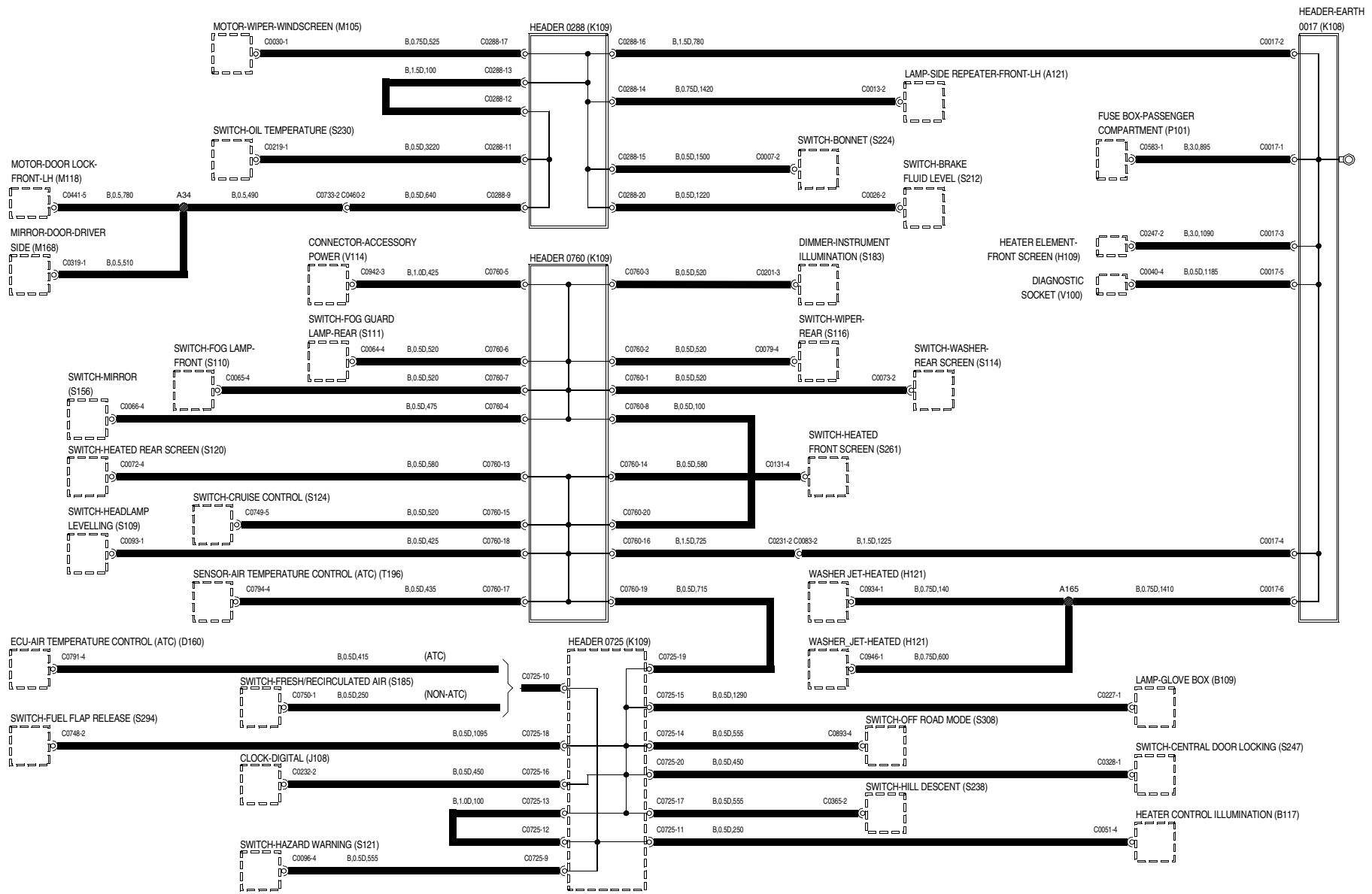


WVR102160-A-06

2 EARTH DISTRIBUTION

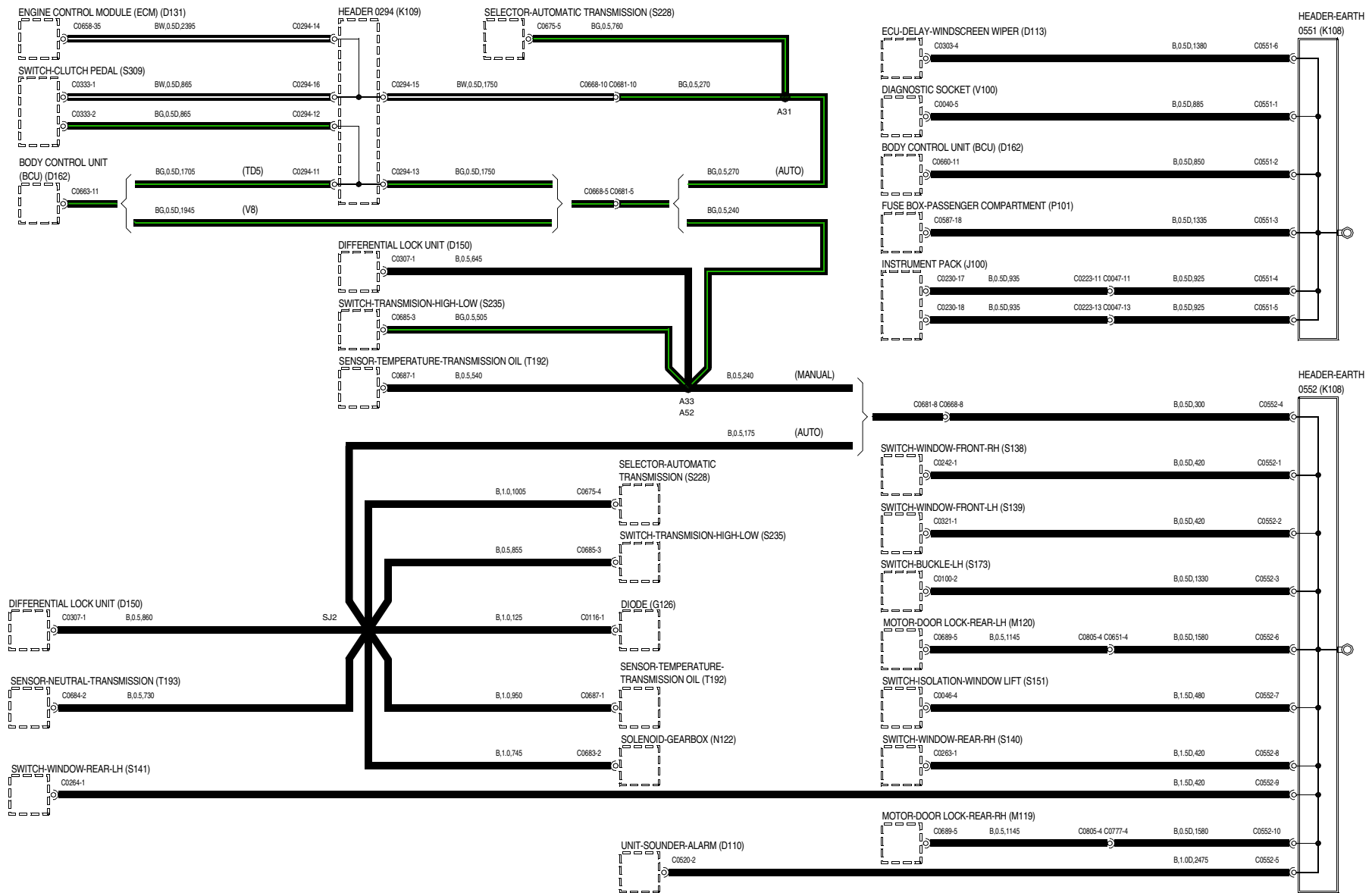


2 EARTH DISTRIBUTION



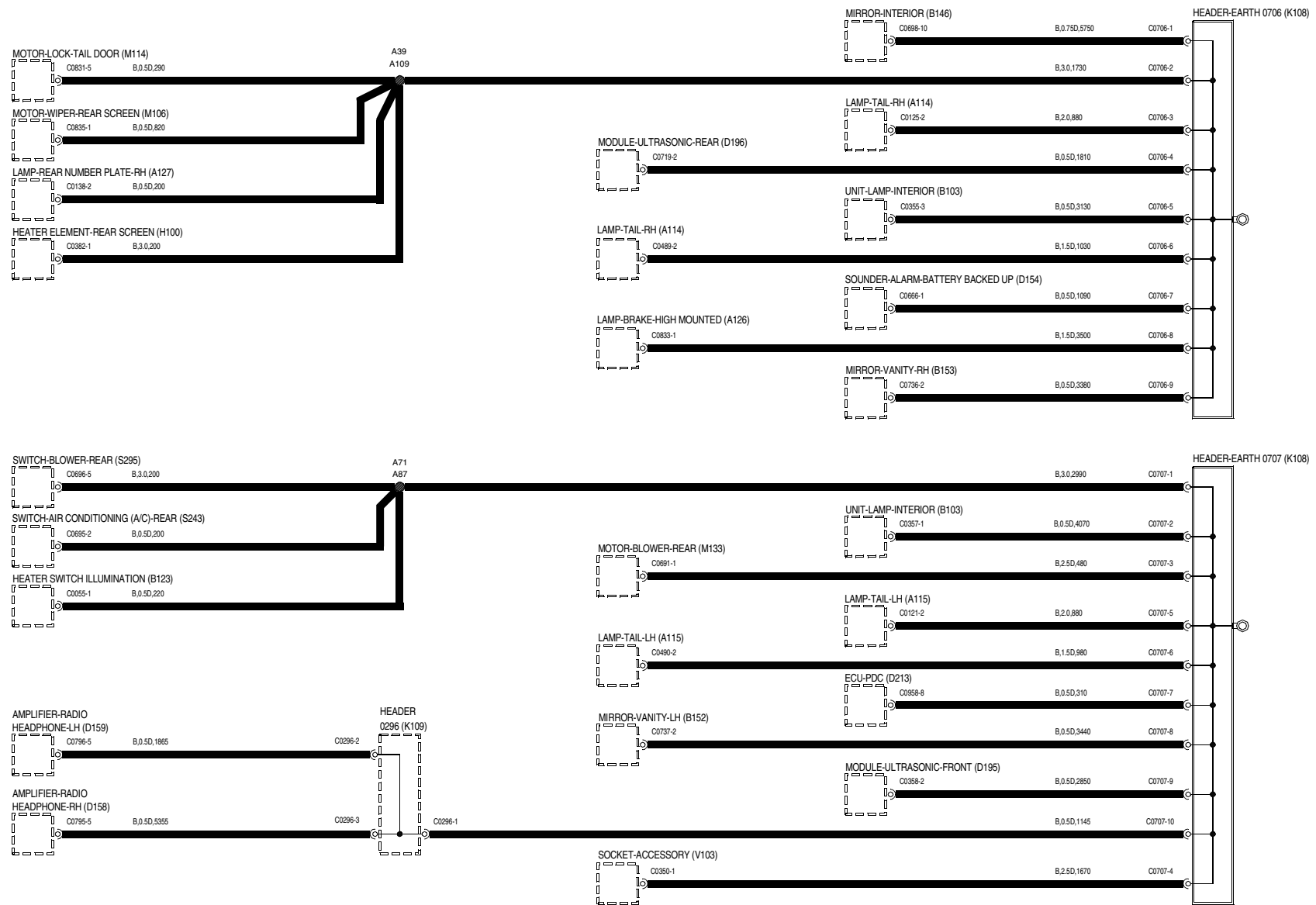
WR102170-A-02

2 EARTH DISTRIBUTION



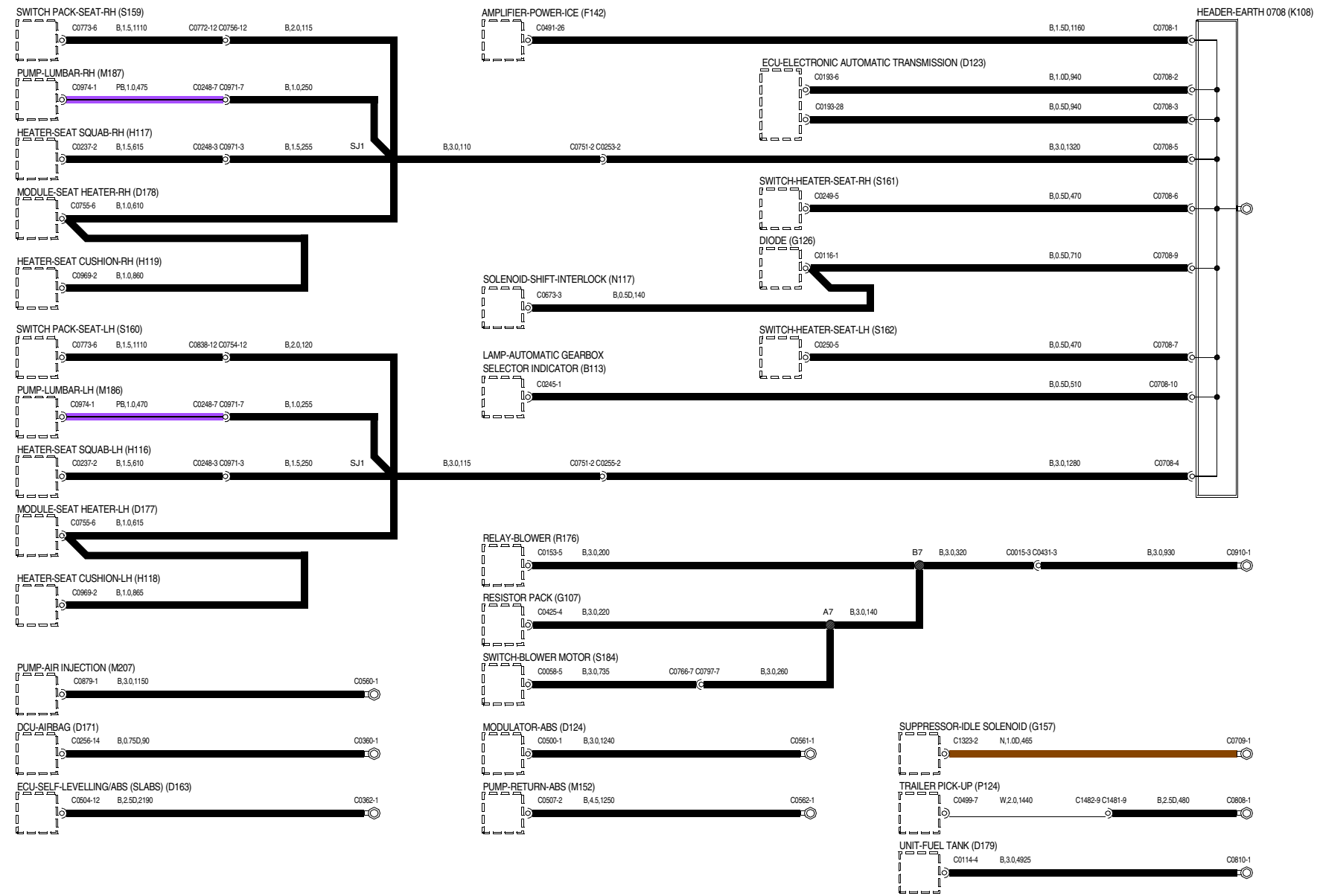
WVR102170-A-03

2 EARTH DISTRIBUTION



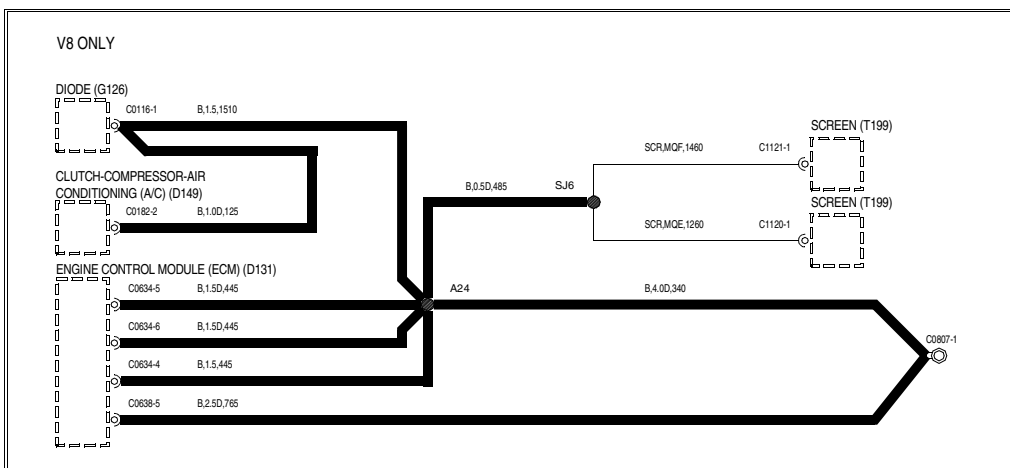
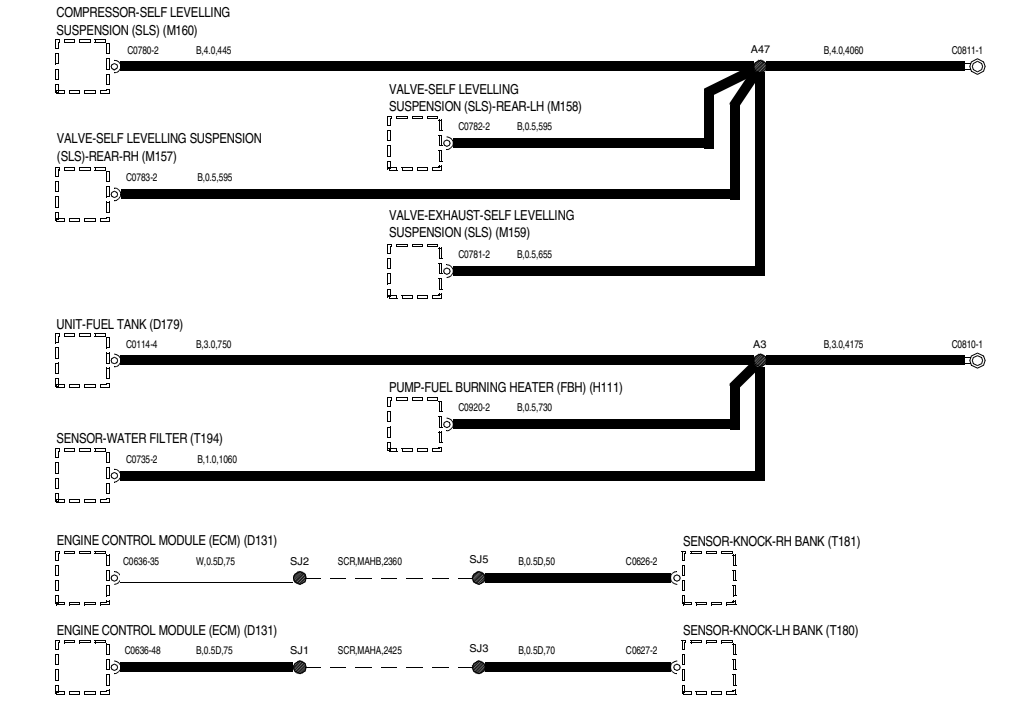
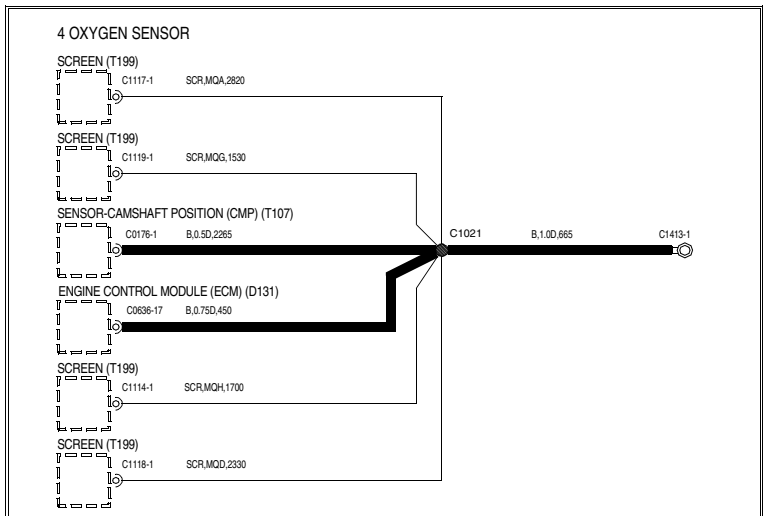
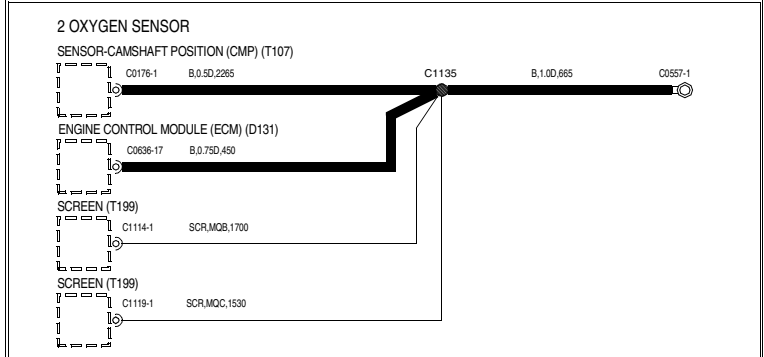
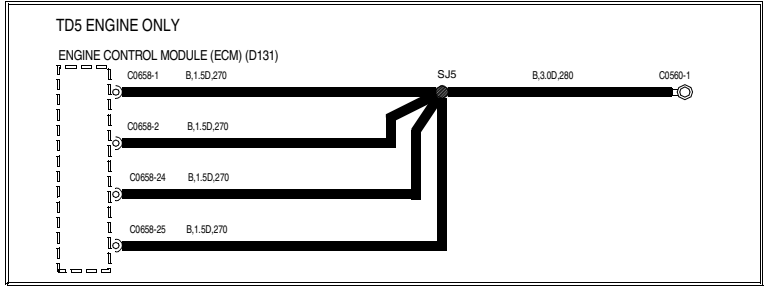
WR102170-A-05

2 EARTH DISTRIBUTION



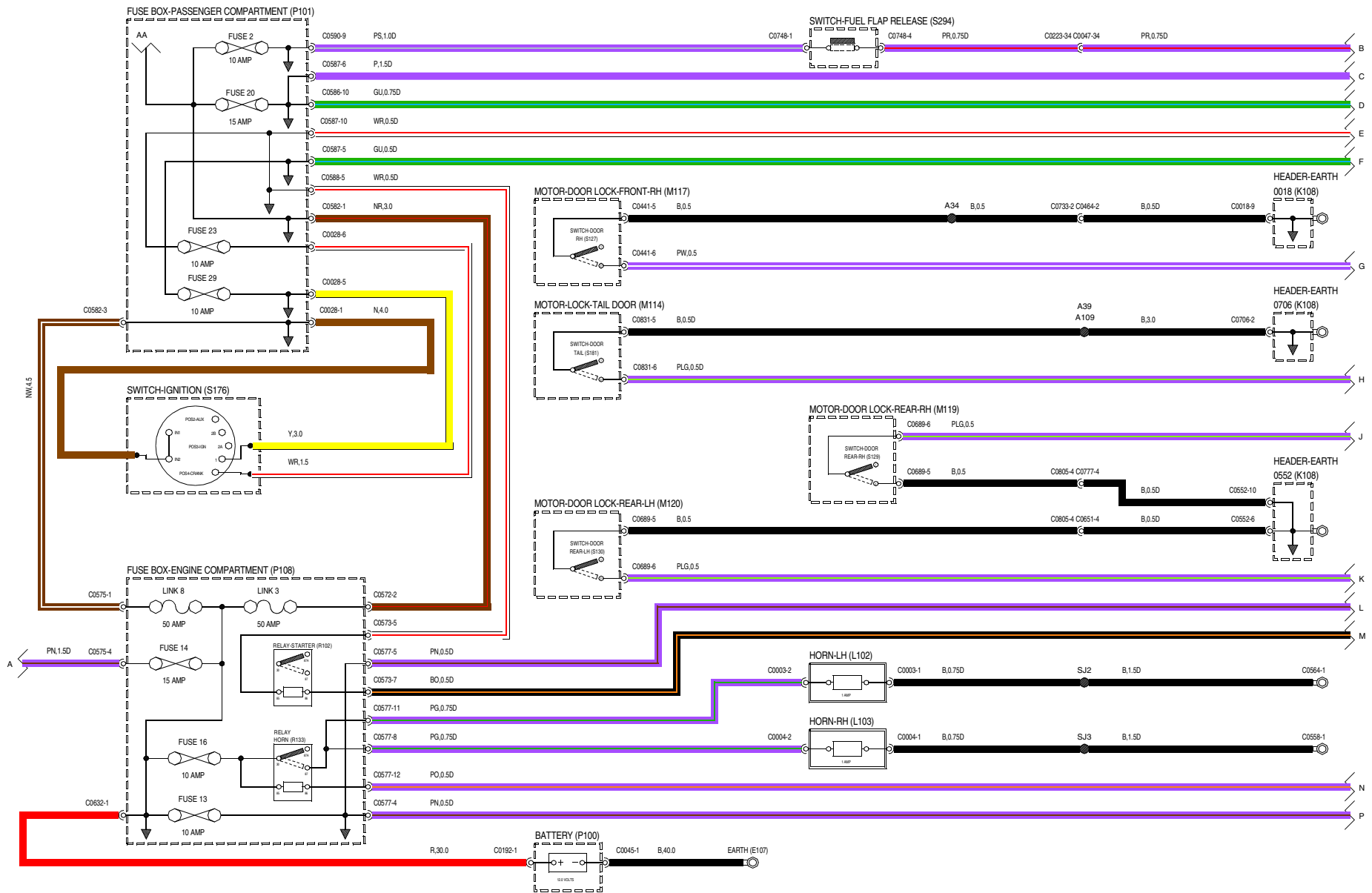
WVR102170-A-06

2 EARTH DISTRIBUTION



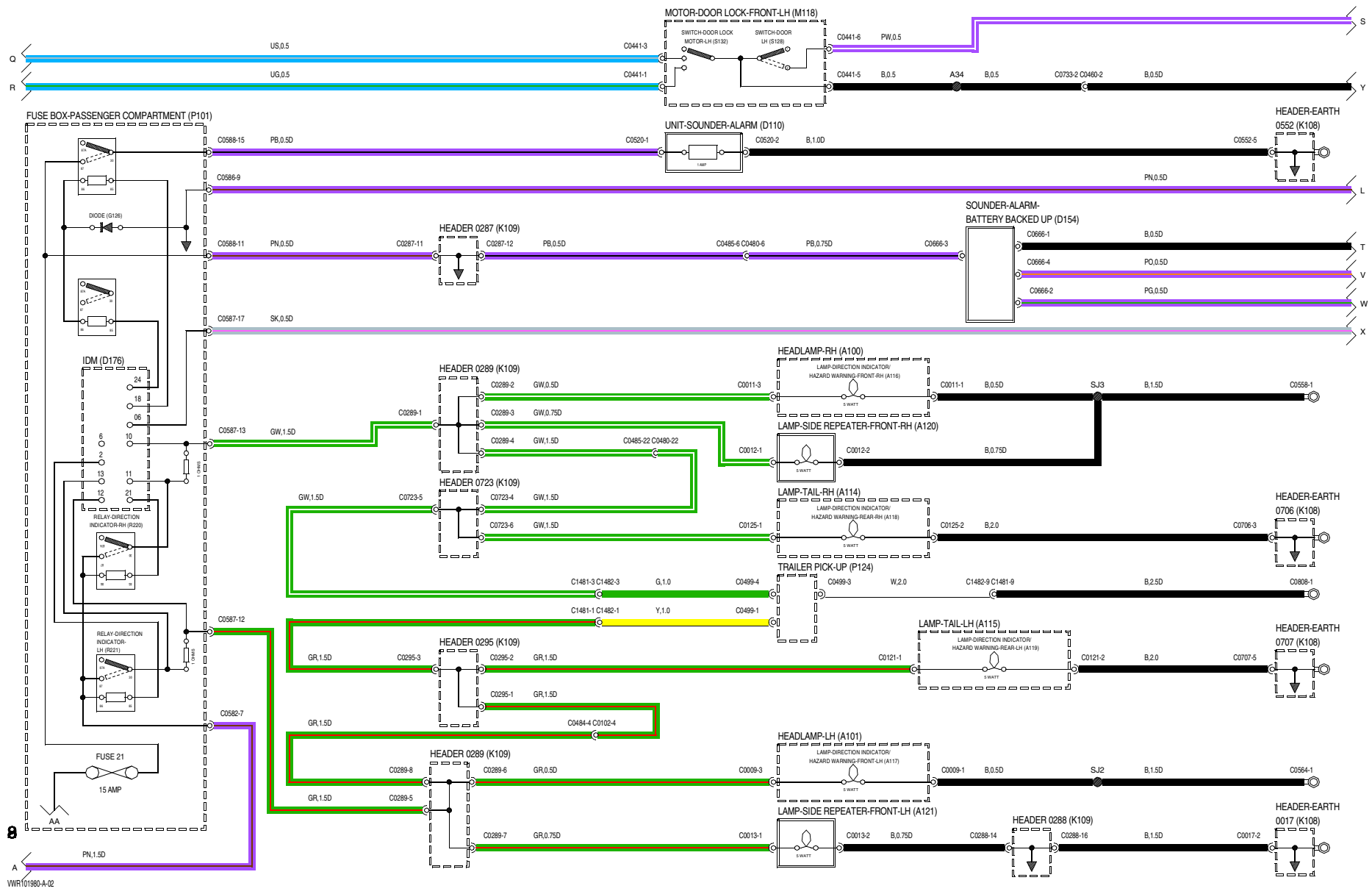
WVR102170-A-07

3 ANTI-THEFT ALARM



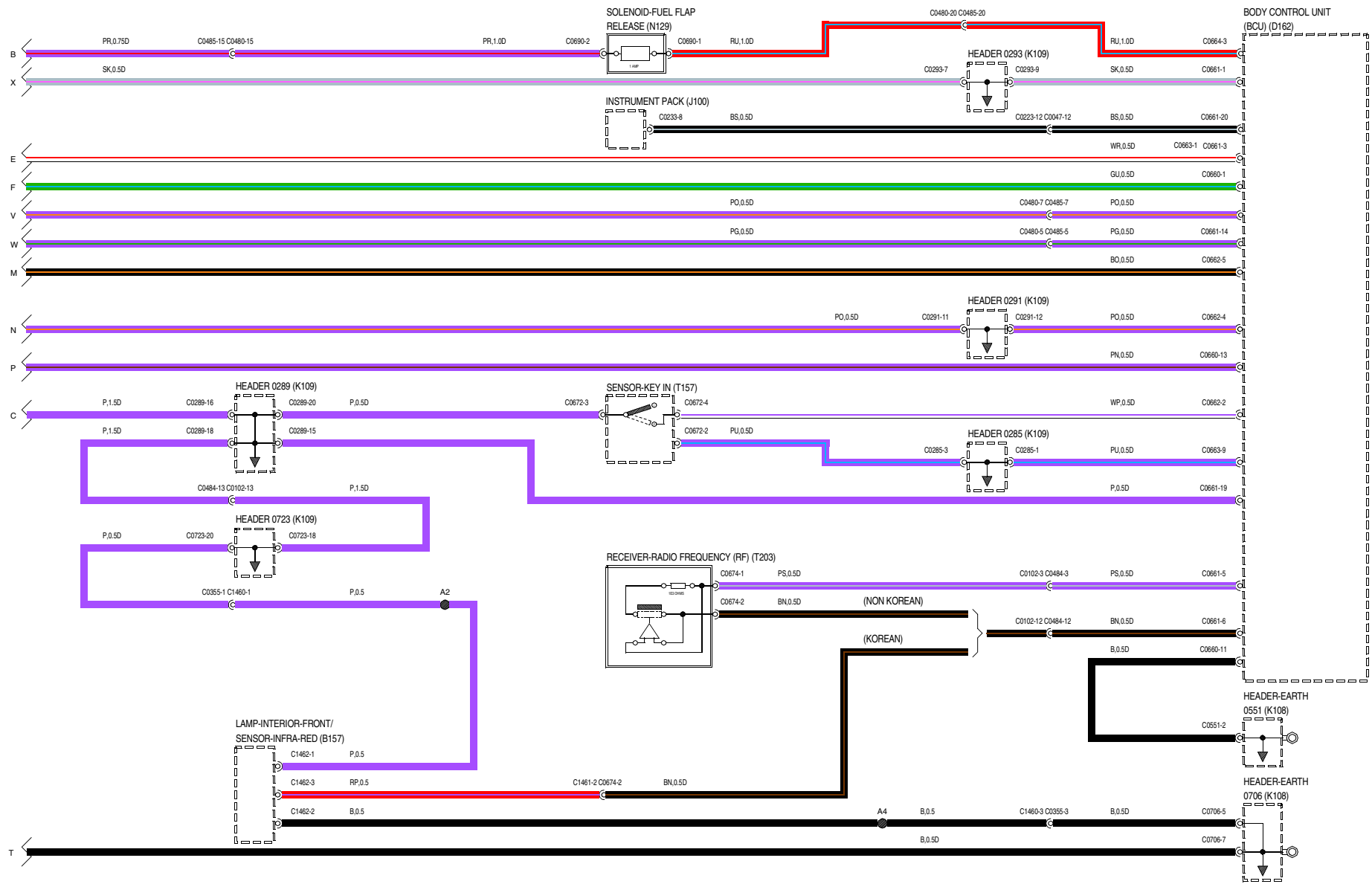
WR101800-A-01

3 ANTI-THEFT ALARM



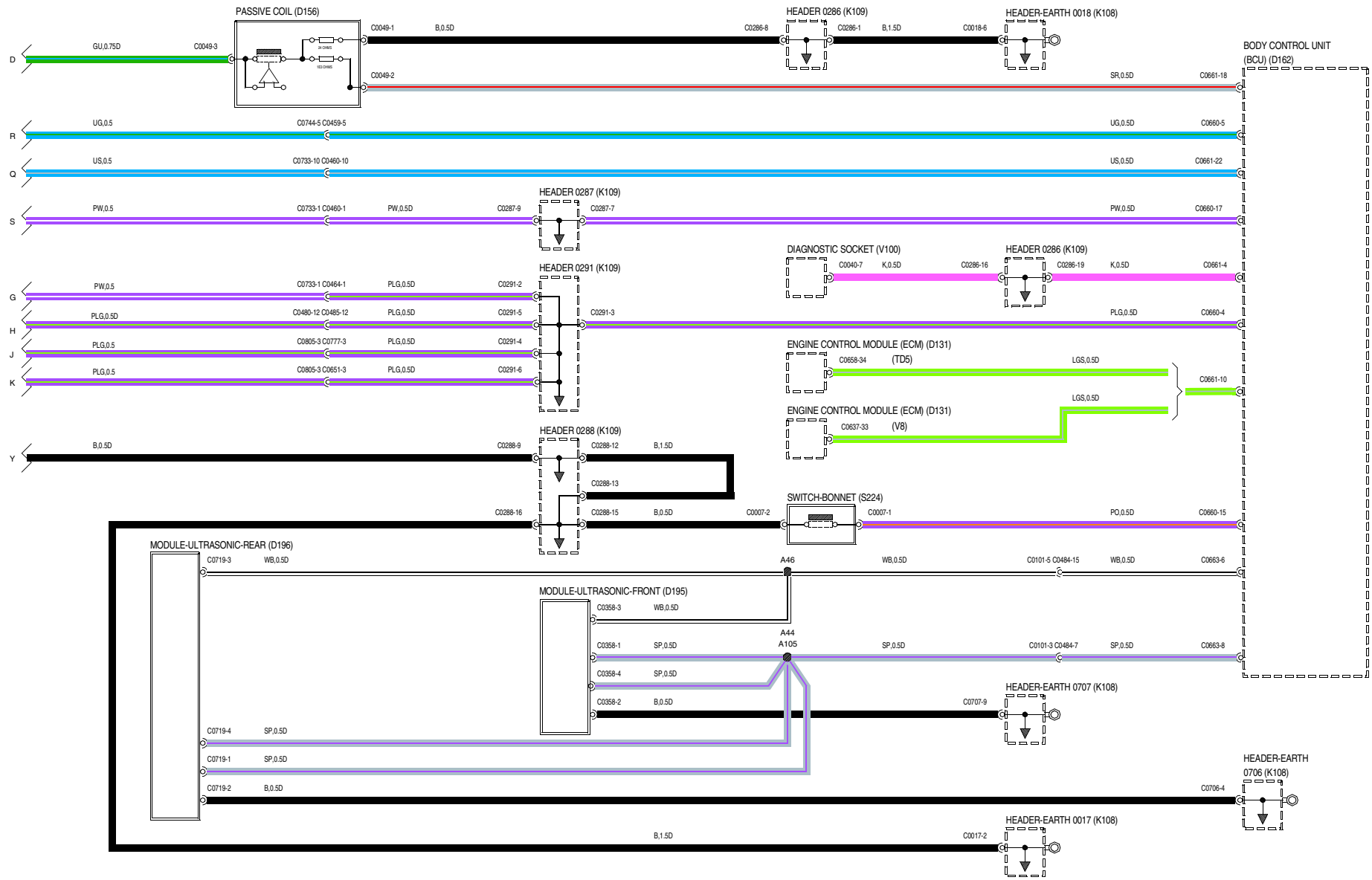
WVR101980-A-02

3 ANTI-THEFT ALARM



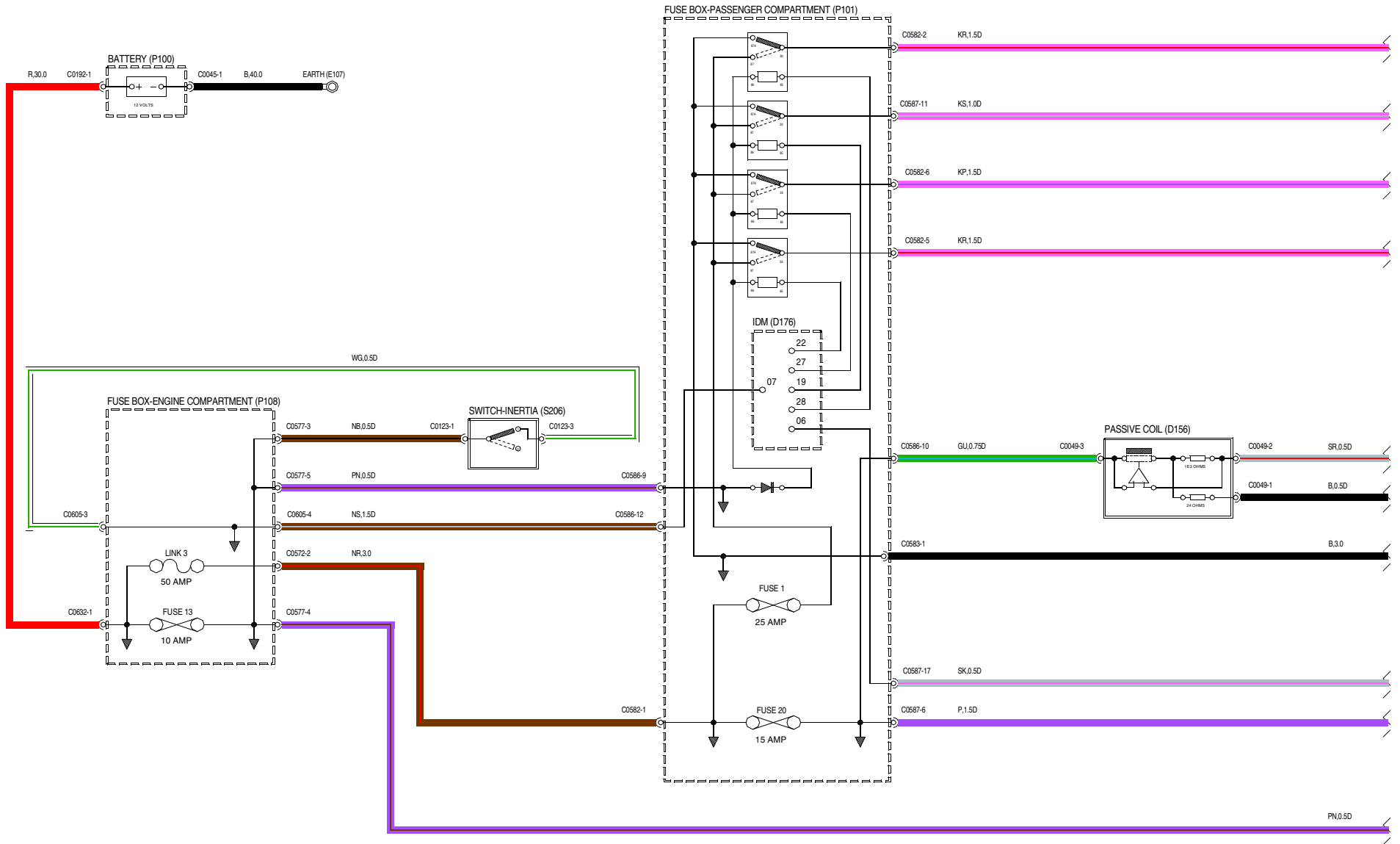
WVR101980-A-03

3 ANTI-THEFT ALARM



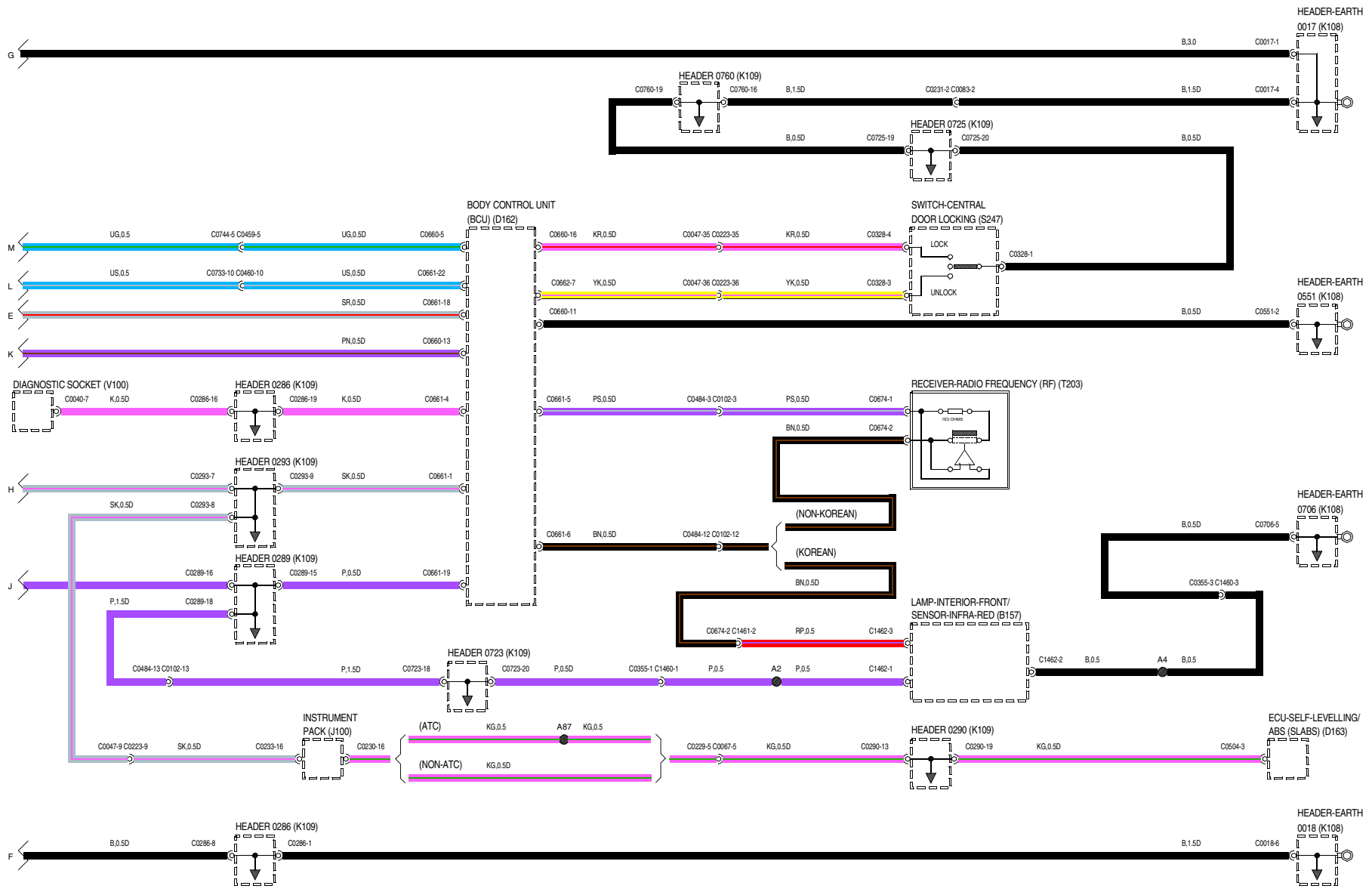
WVR101980-A-04

4 CENTRAL DOOR LOCKING



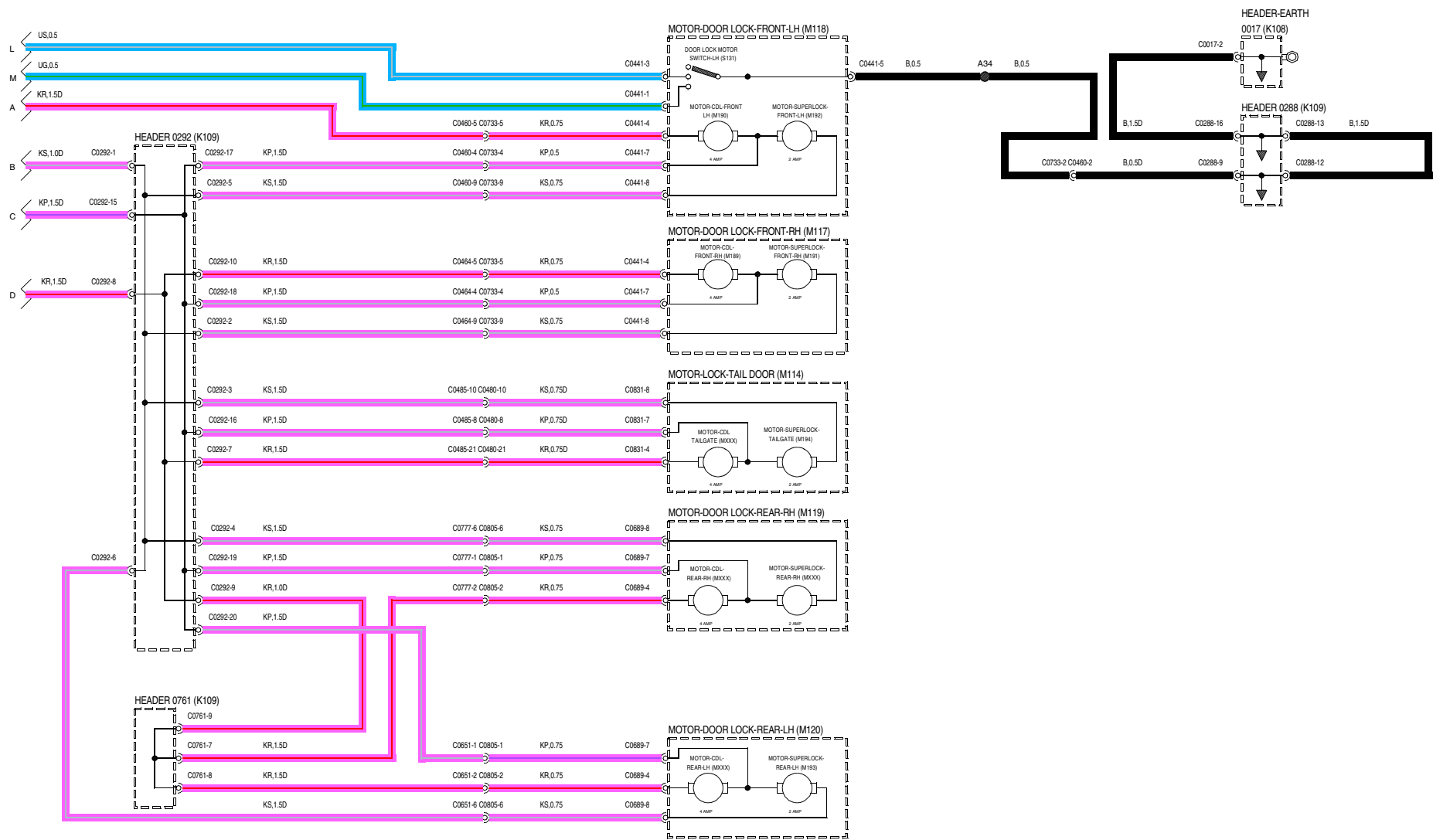
1108180-A-01

4 CENTRAL DOOR LOCKING

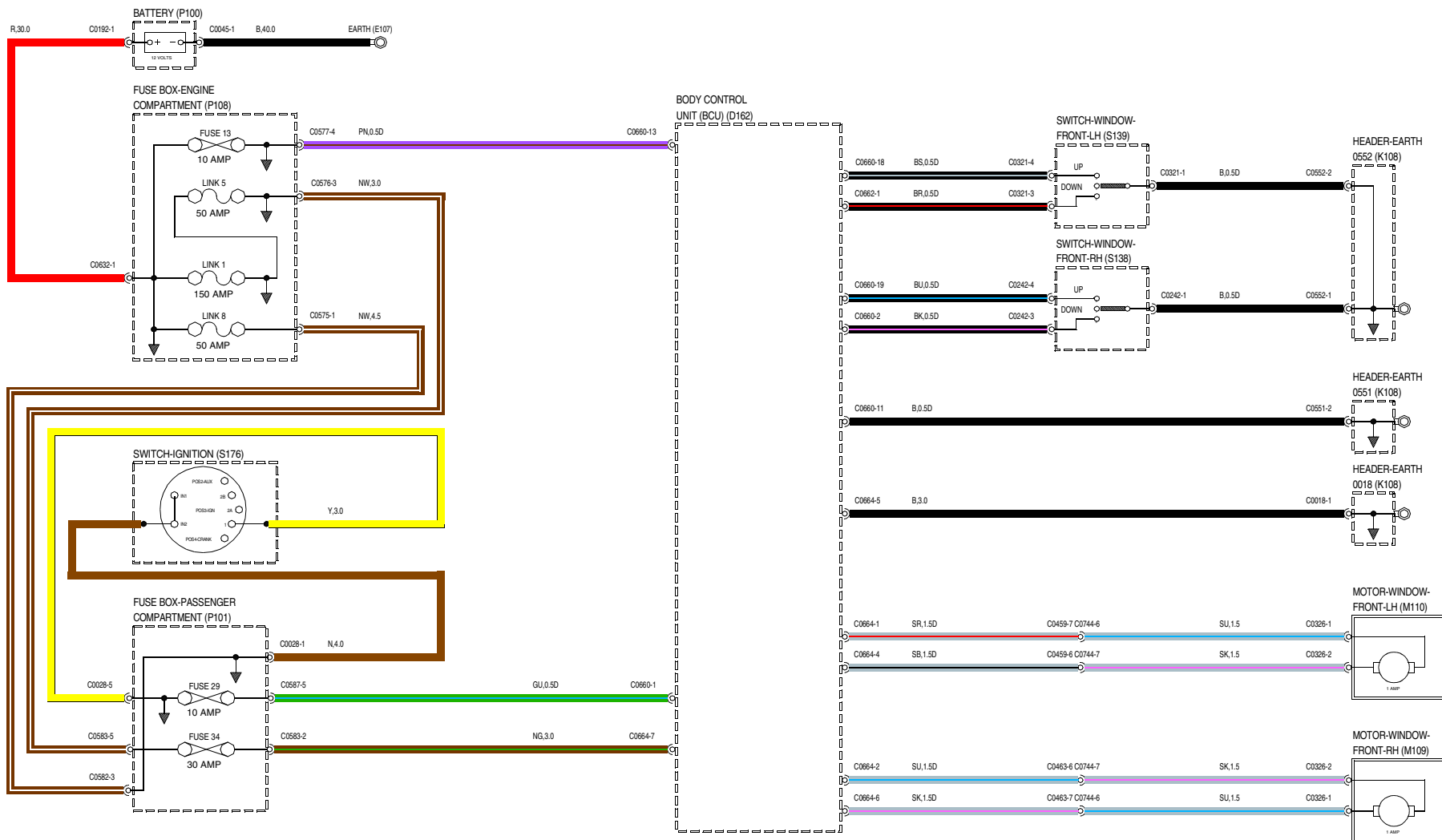


WVR108180-A-02

4 CENTRAL DOOR LOCKING

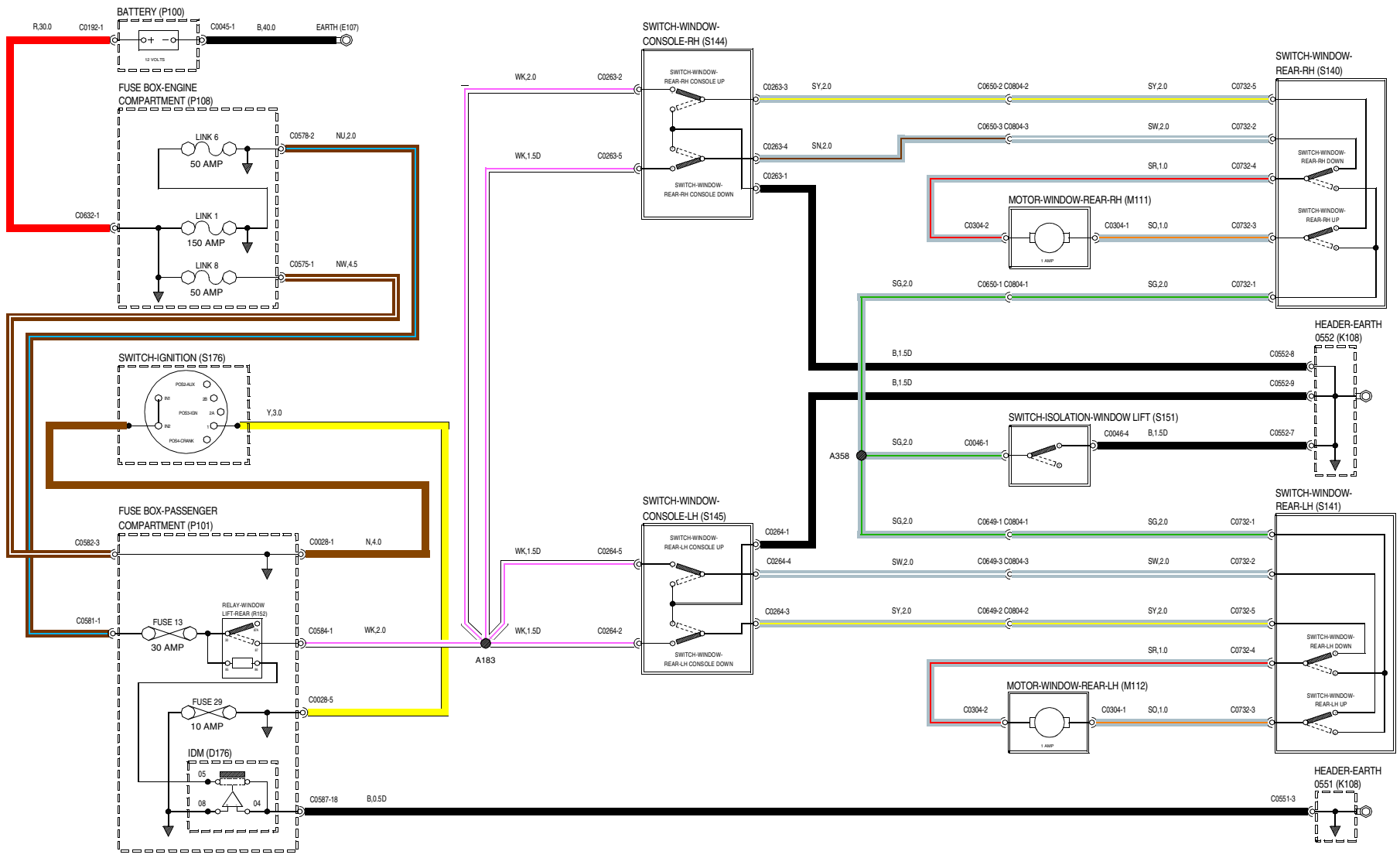


WVR108180-A-03



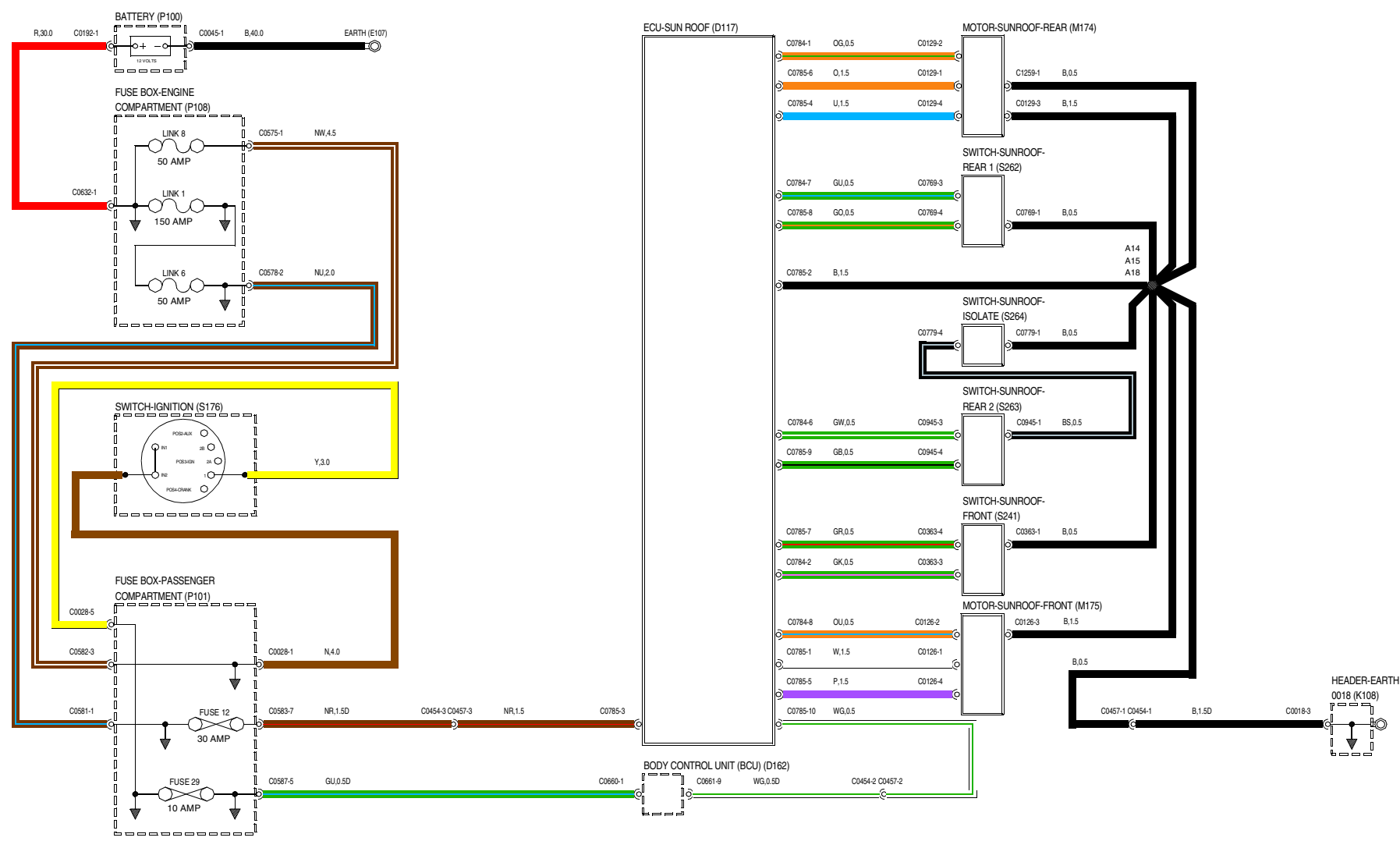
WRI102140-A-01

5 WINDOWS



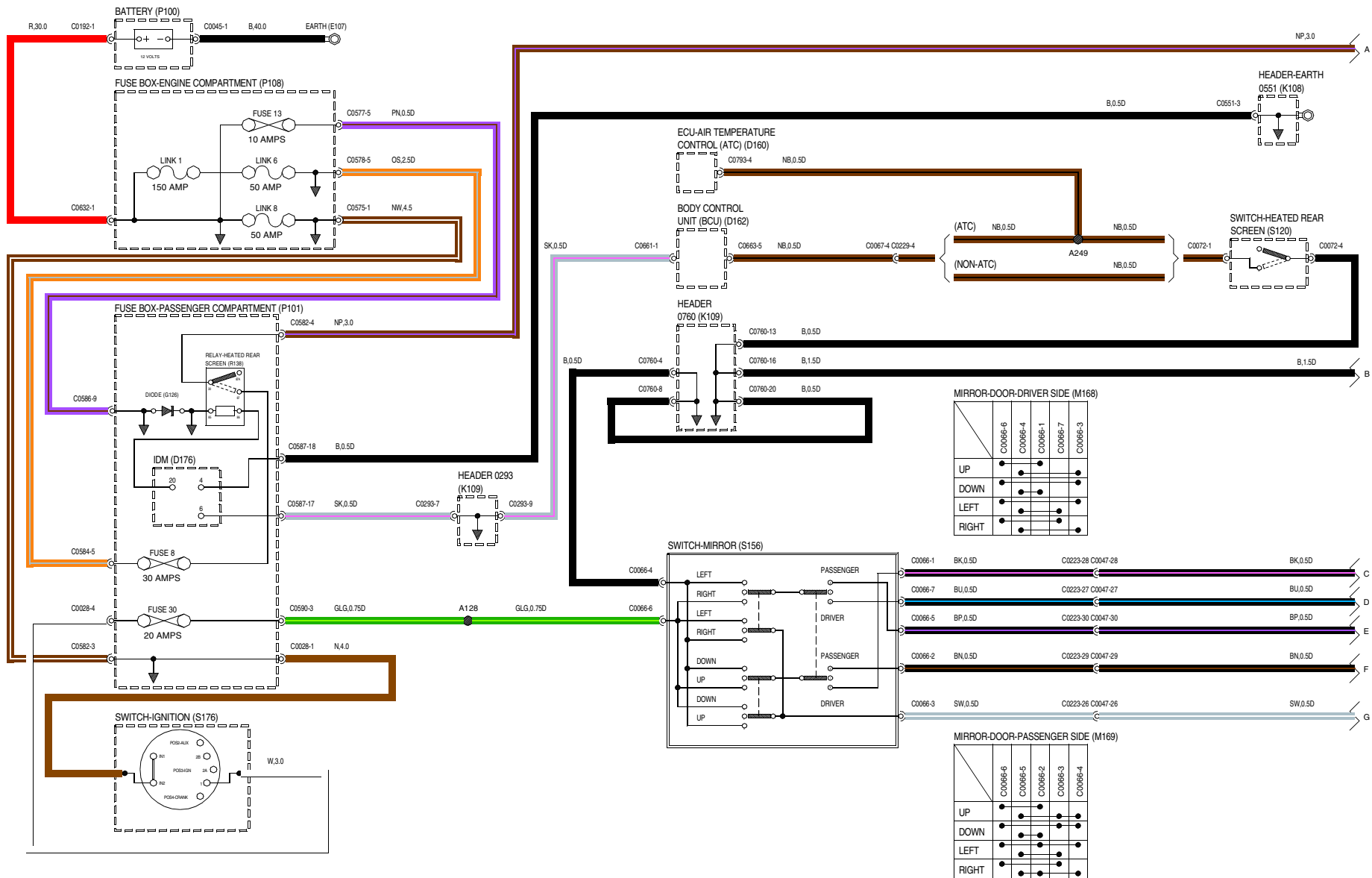
WIR104220-A-01

6 SUNROOF



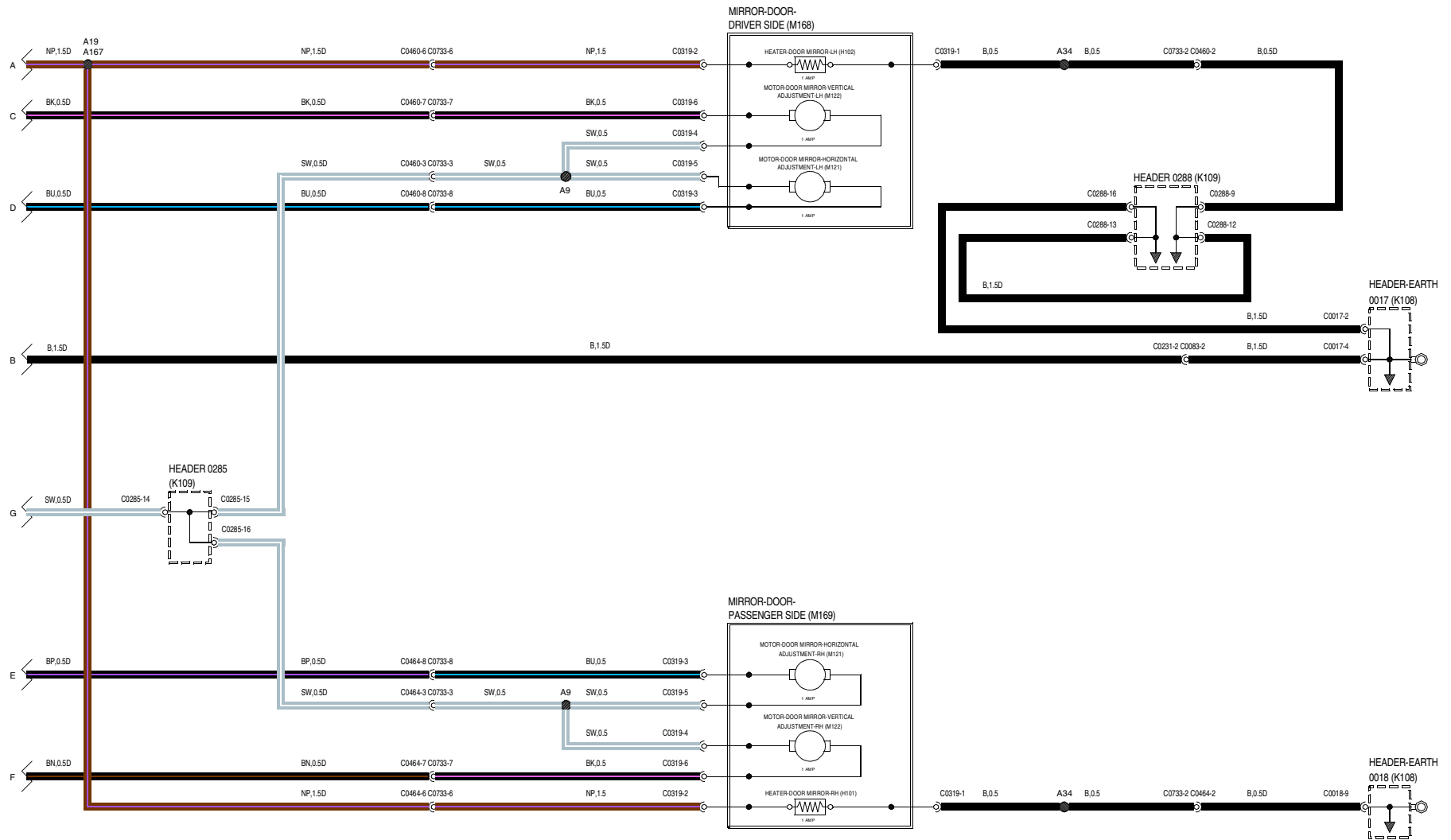
WRI102130-A-01

7 DOOR MIRRORS



WVR102100-A-01

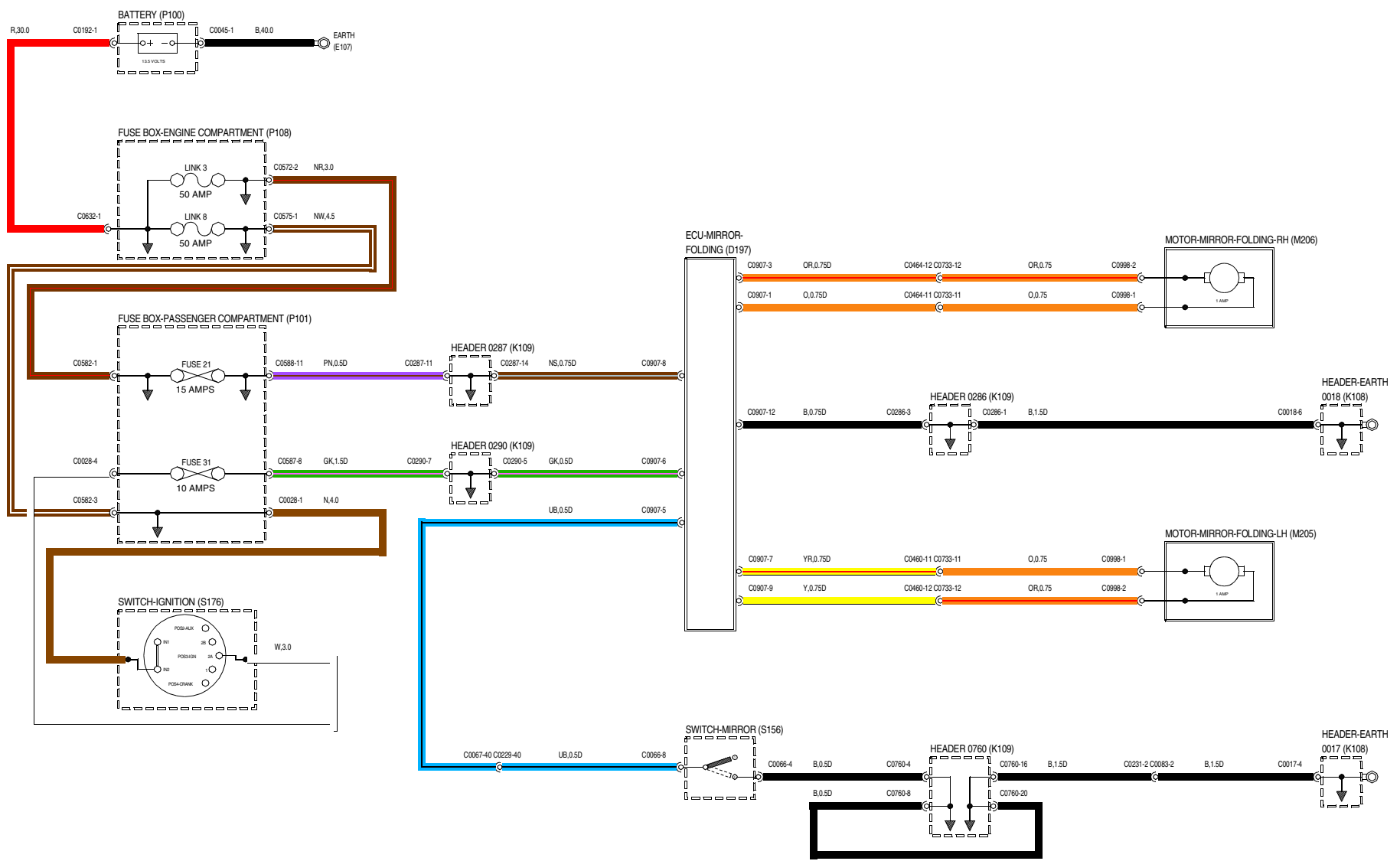
7 DOOR MIRRORS



WVR102100-A-02

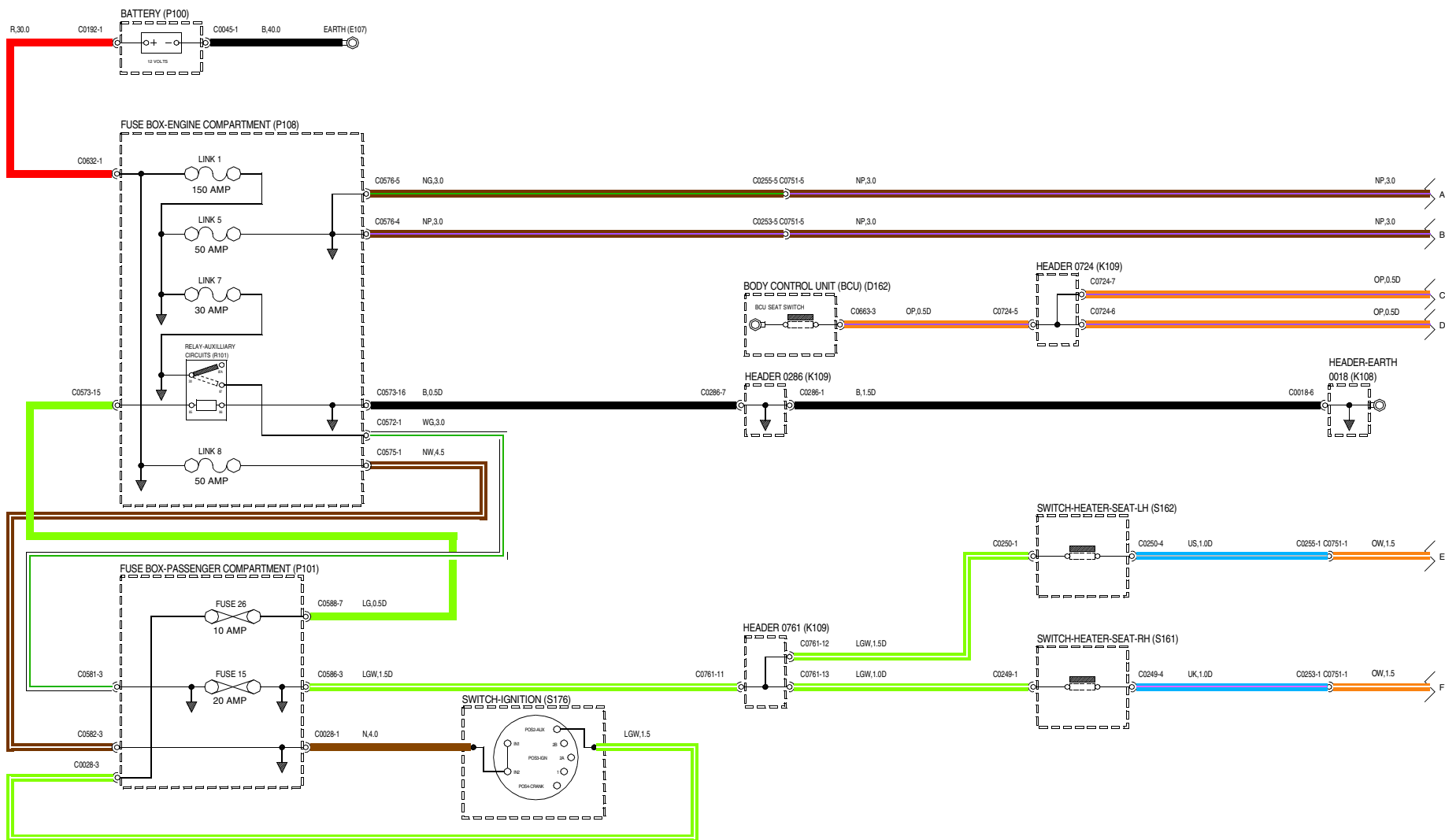
7 DOOR MIRRORS

Folding



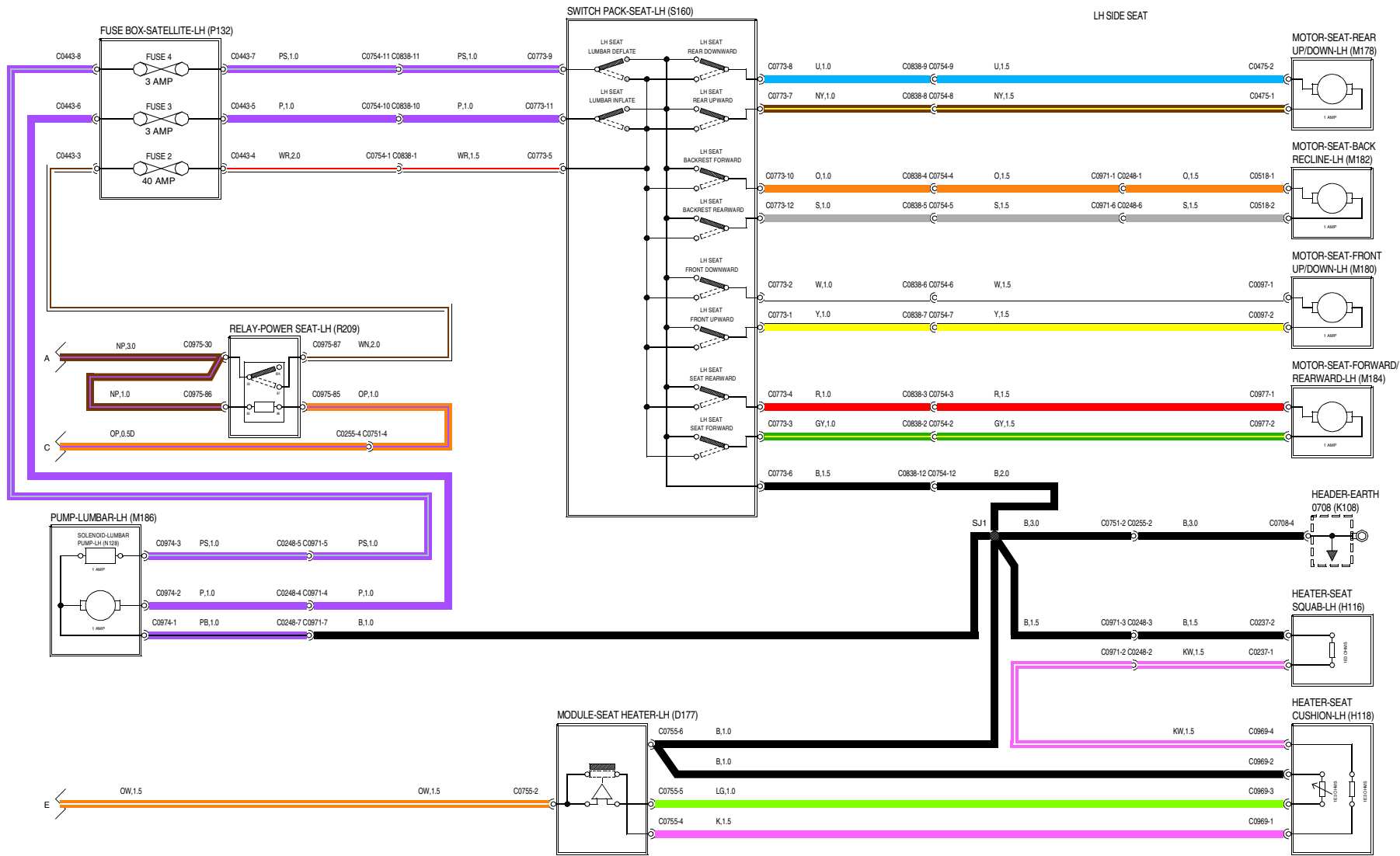
WVR108350-A-01

8 SEATS



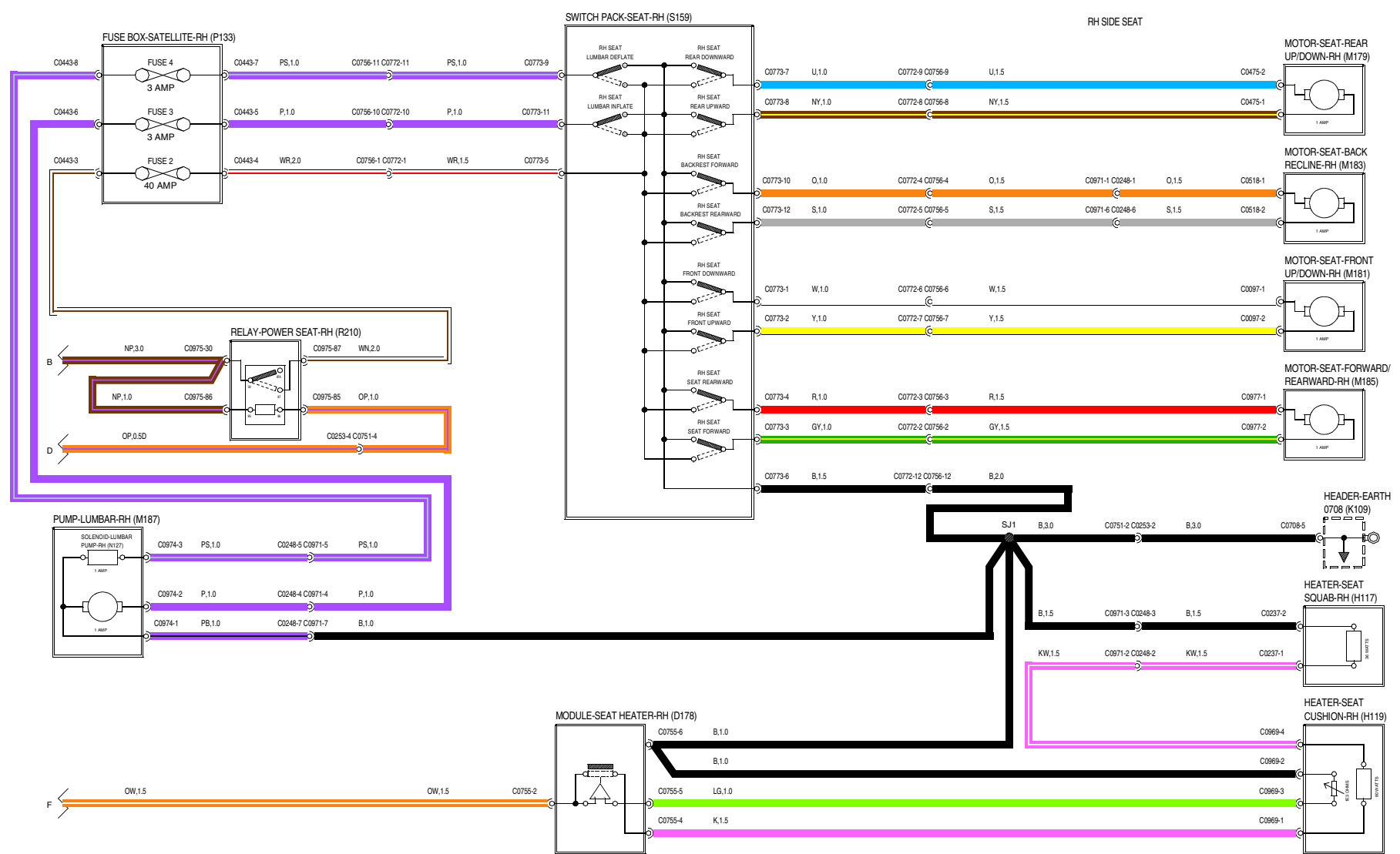
WVR102200-A-01

8 SEATS

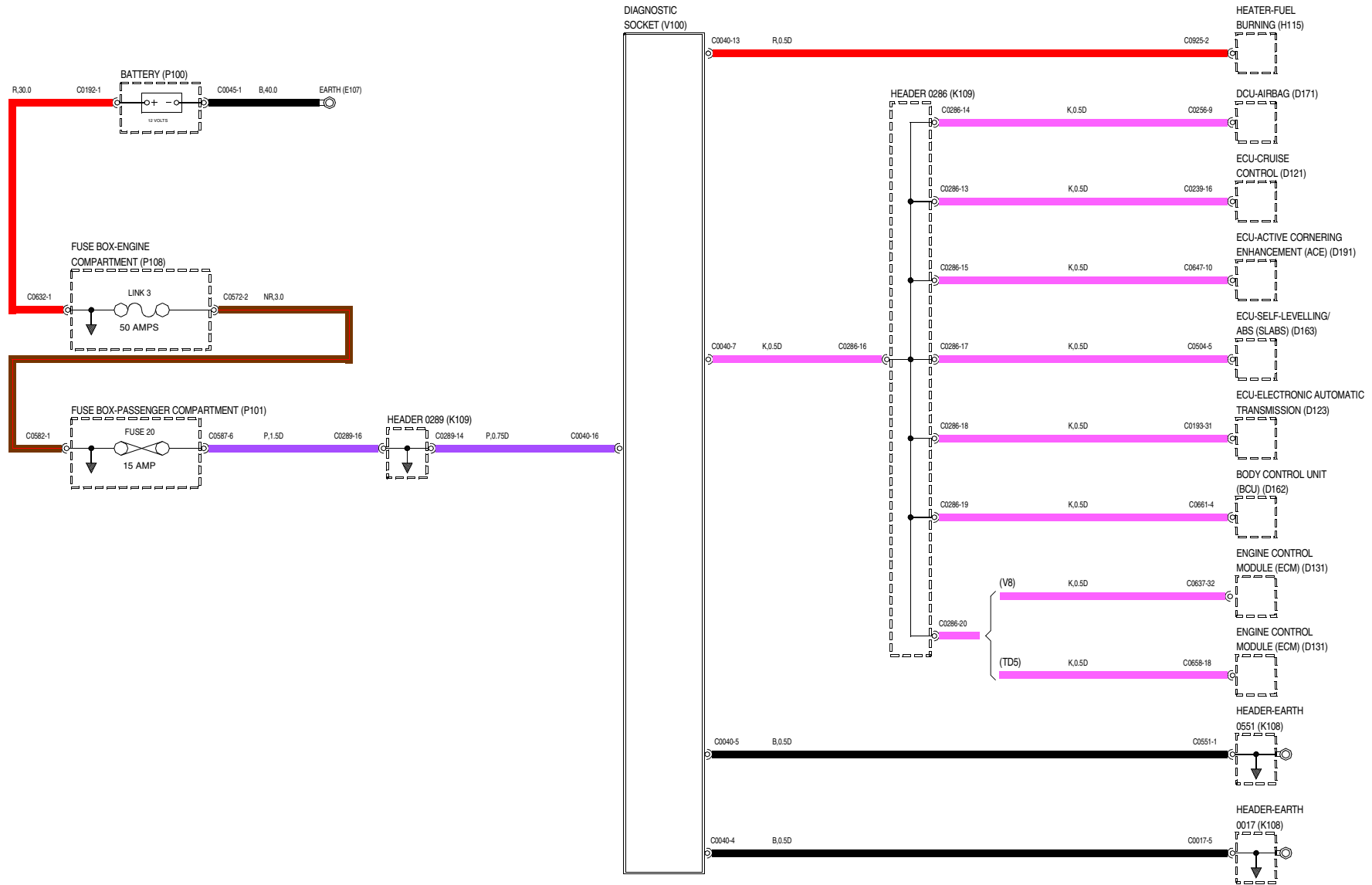


WVR102200-A-02

8 SEATS

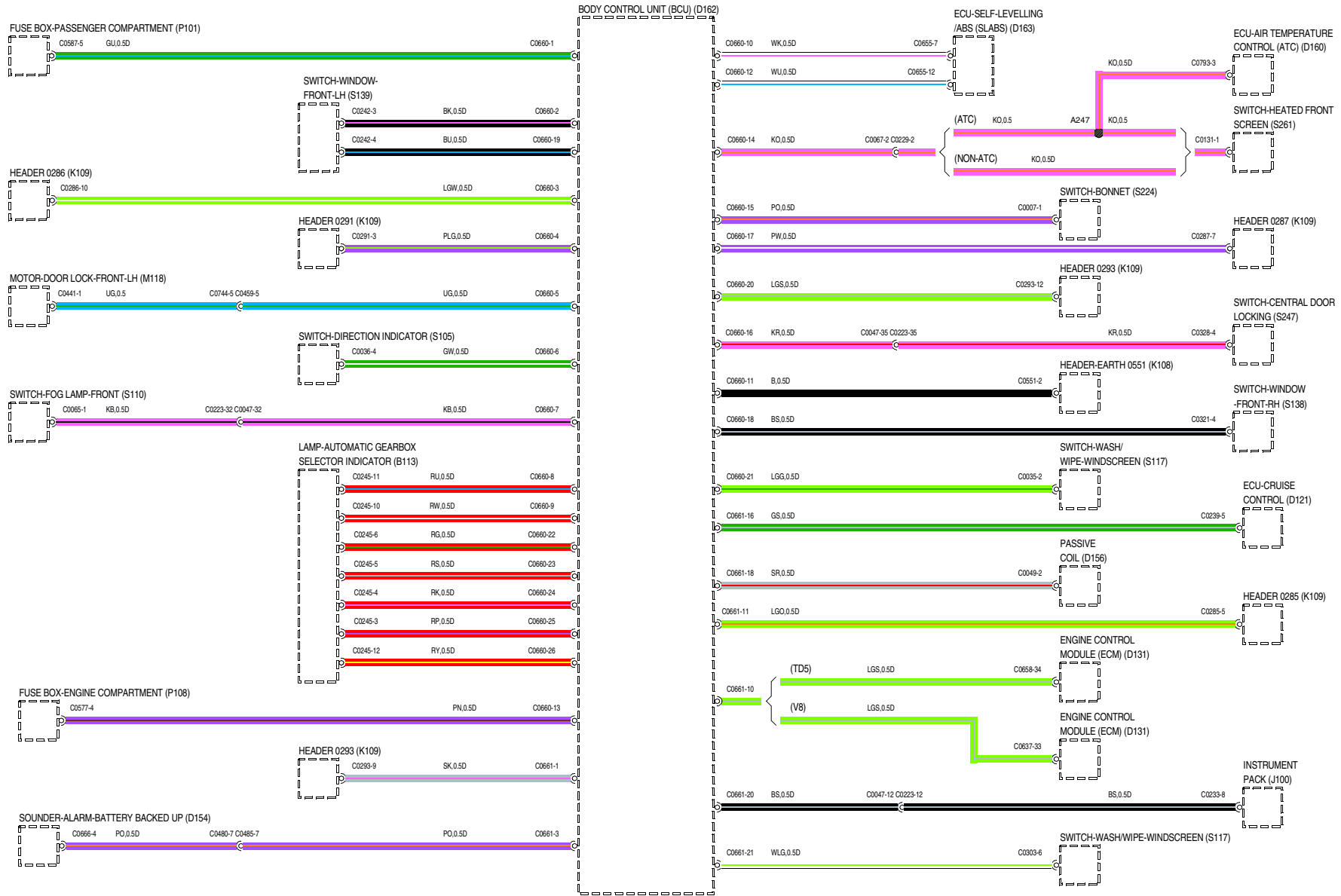


10 DIAGNOSTIC SOCKET



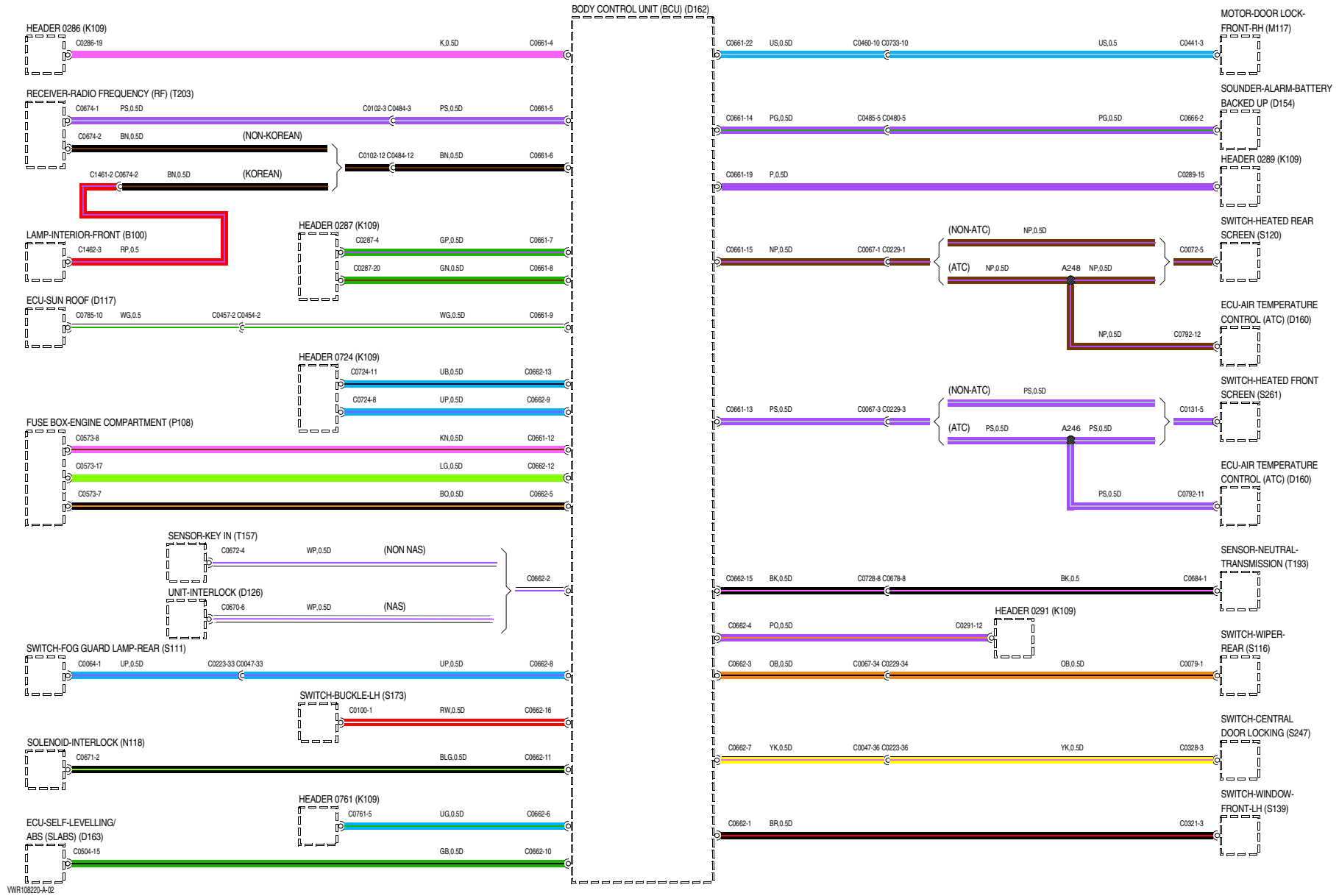
WVR105830-A-01

11 BODY CONTROL UNIT

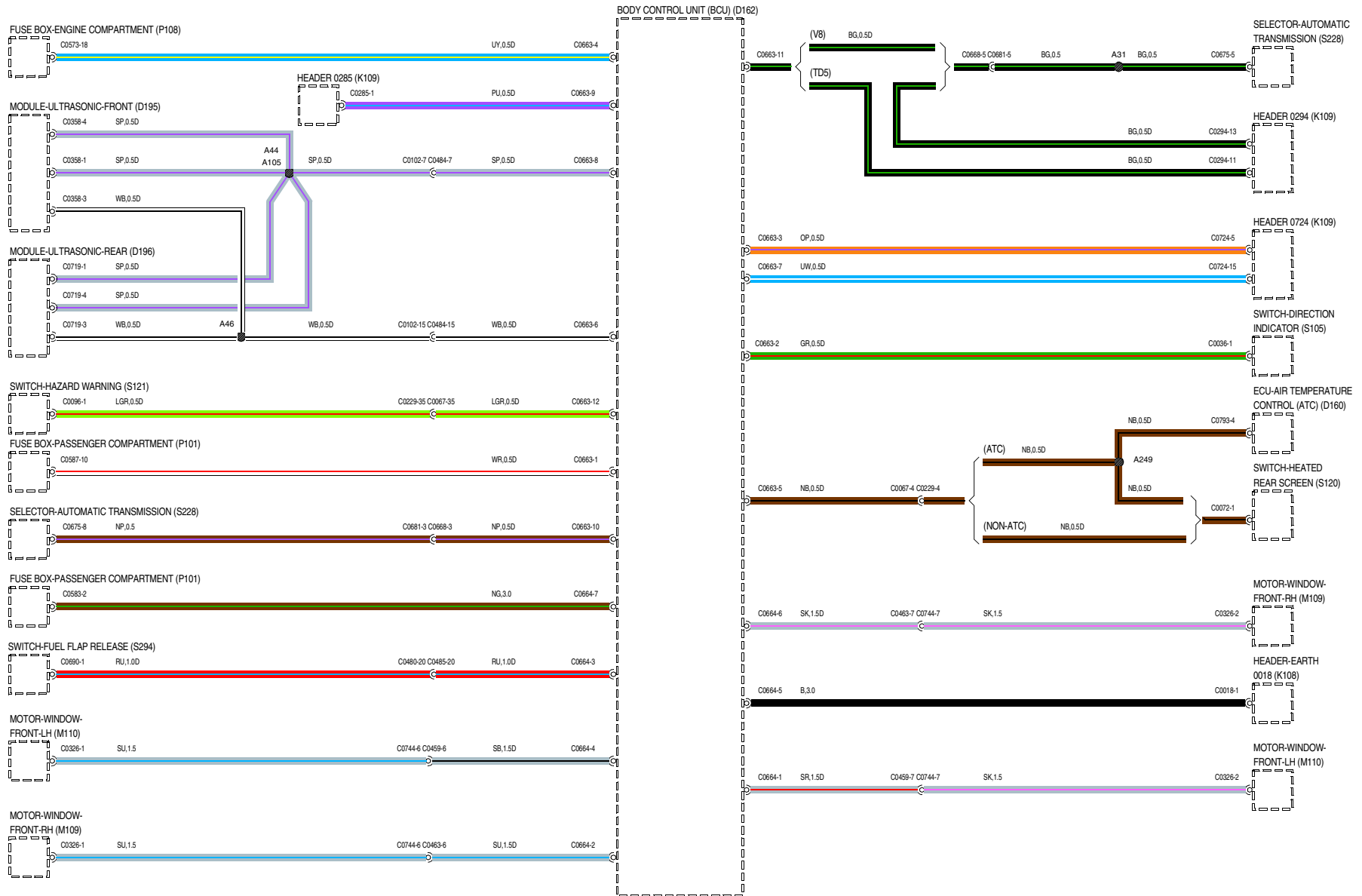


WIR108220-A-01

11 BODY CONTROL UNIT



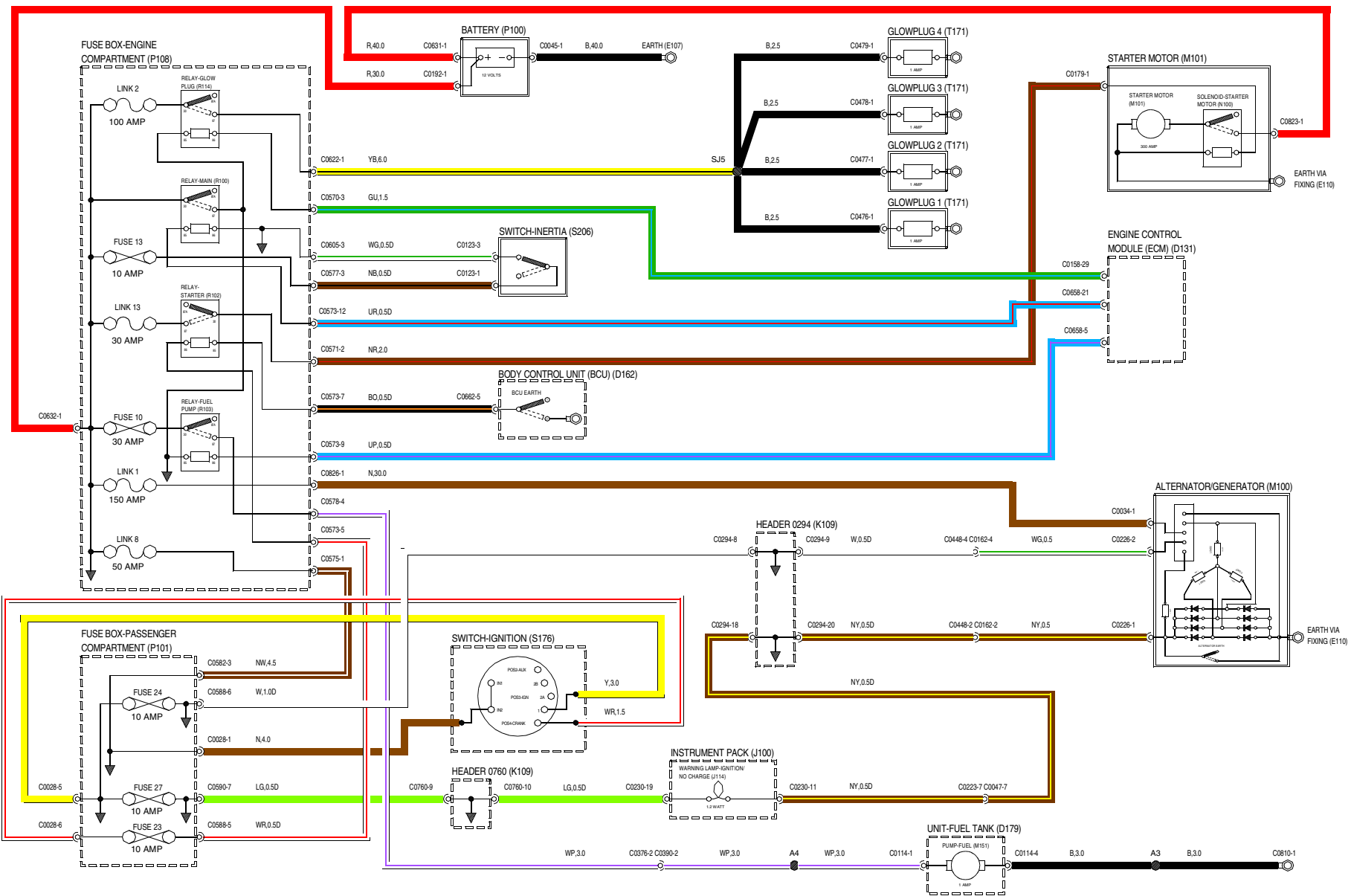
11 BODY CONTROL UNIT



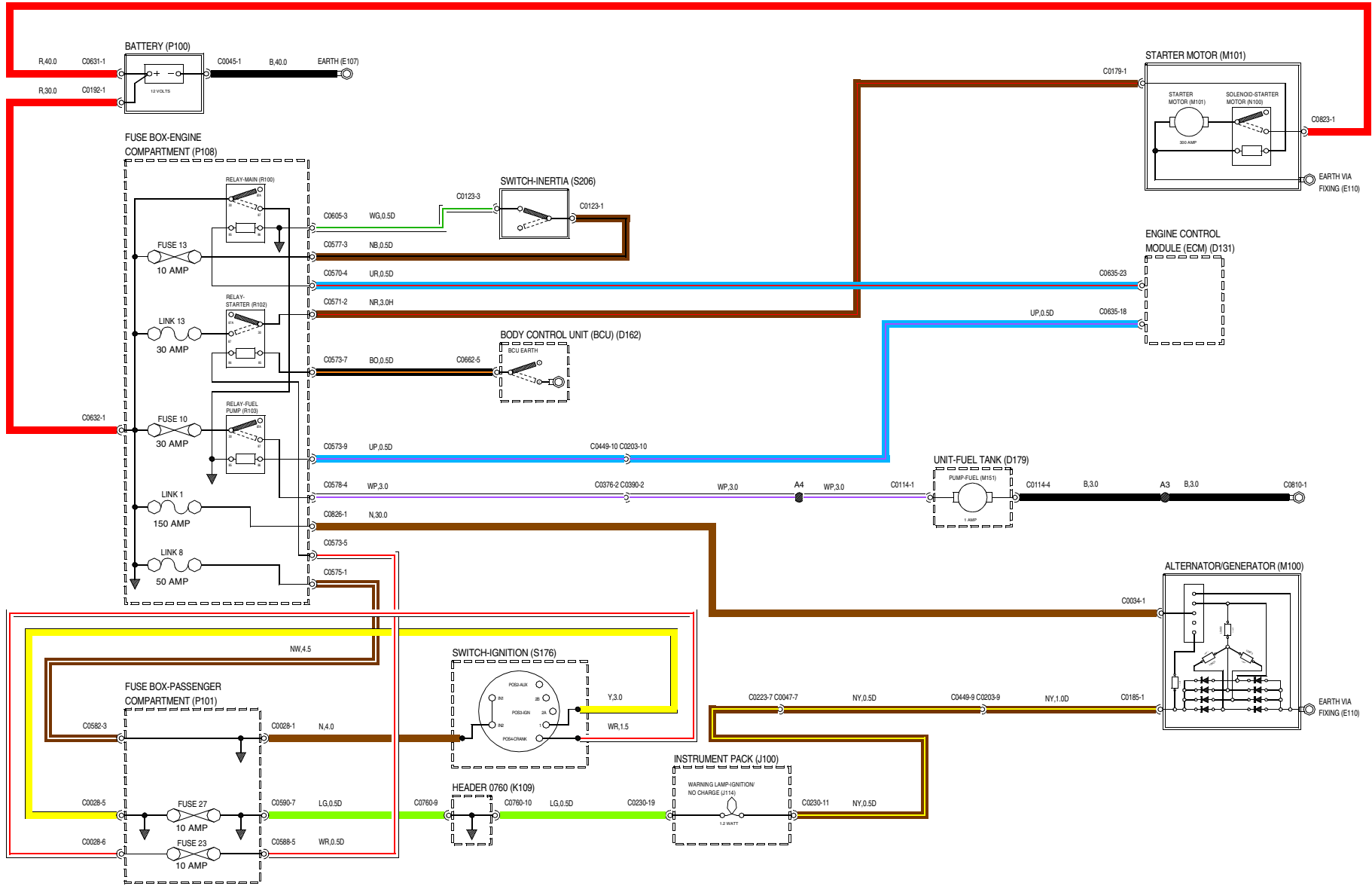
WVR108220-A-03

15 CHARGING AND STARTING

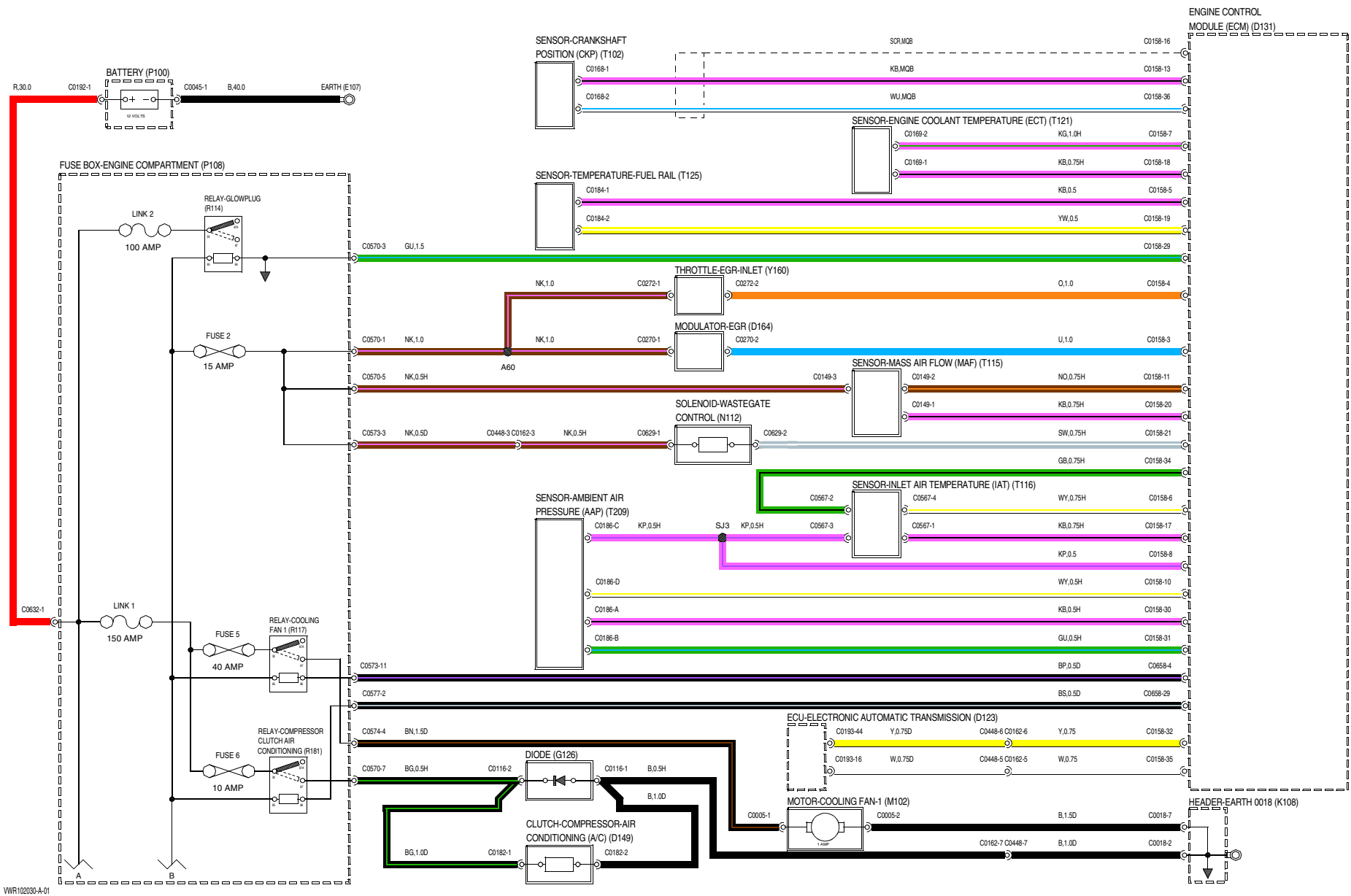
Td5



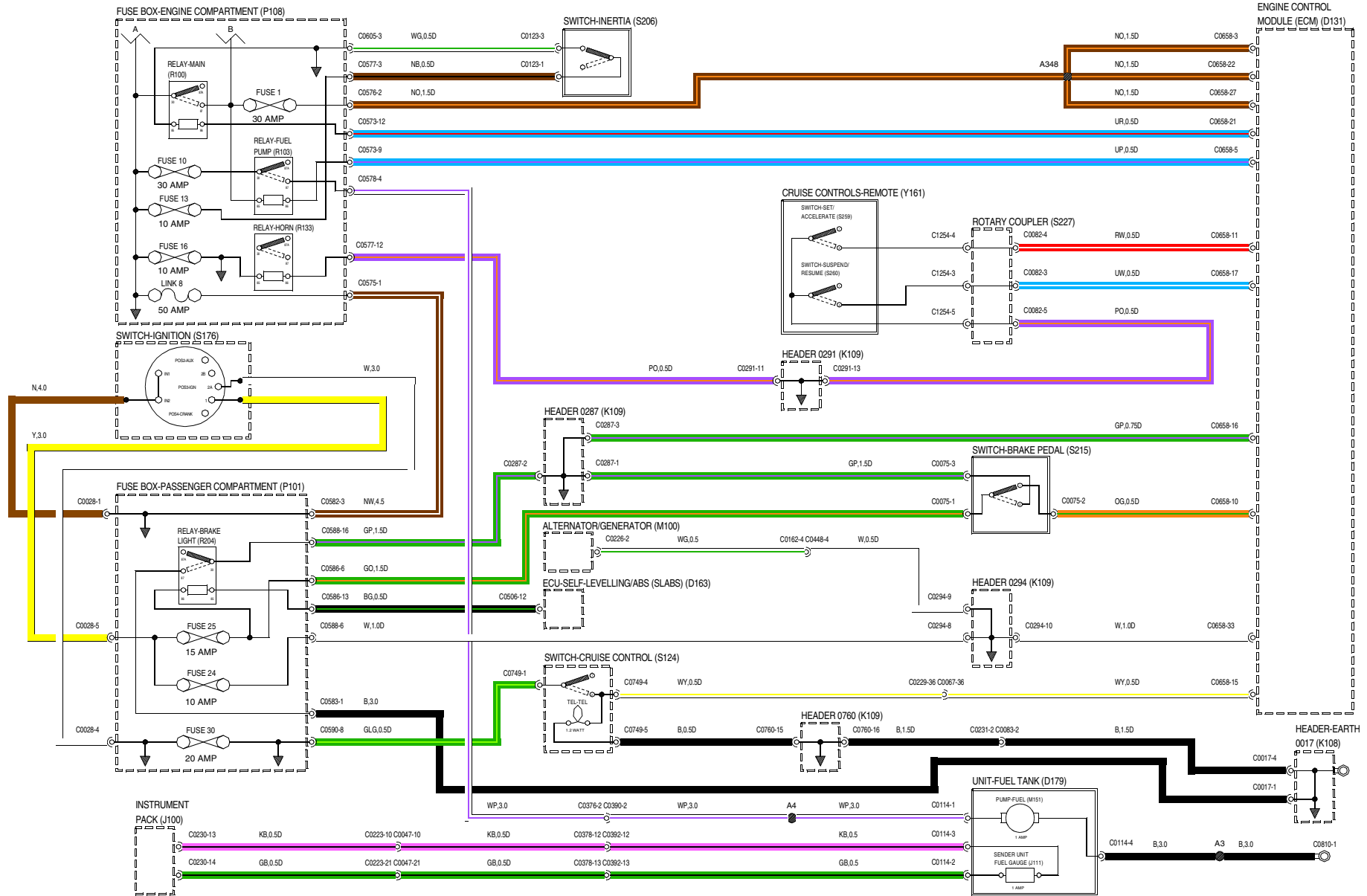
WR101890-A-01



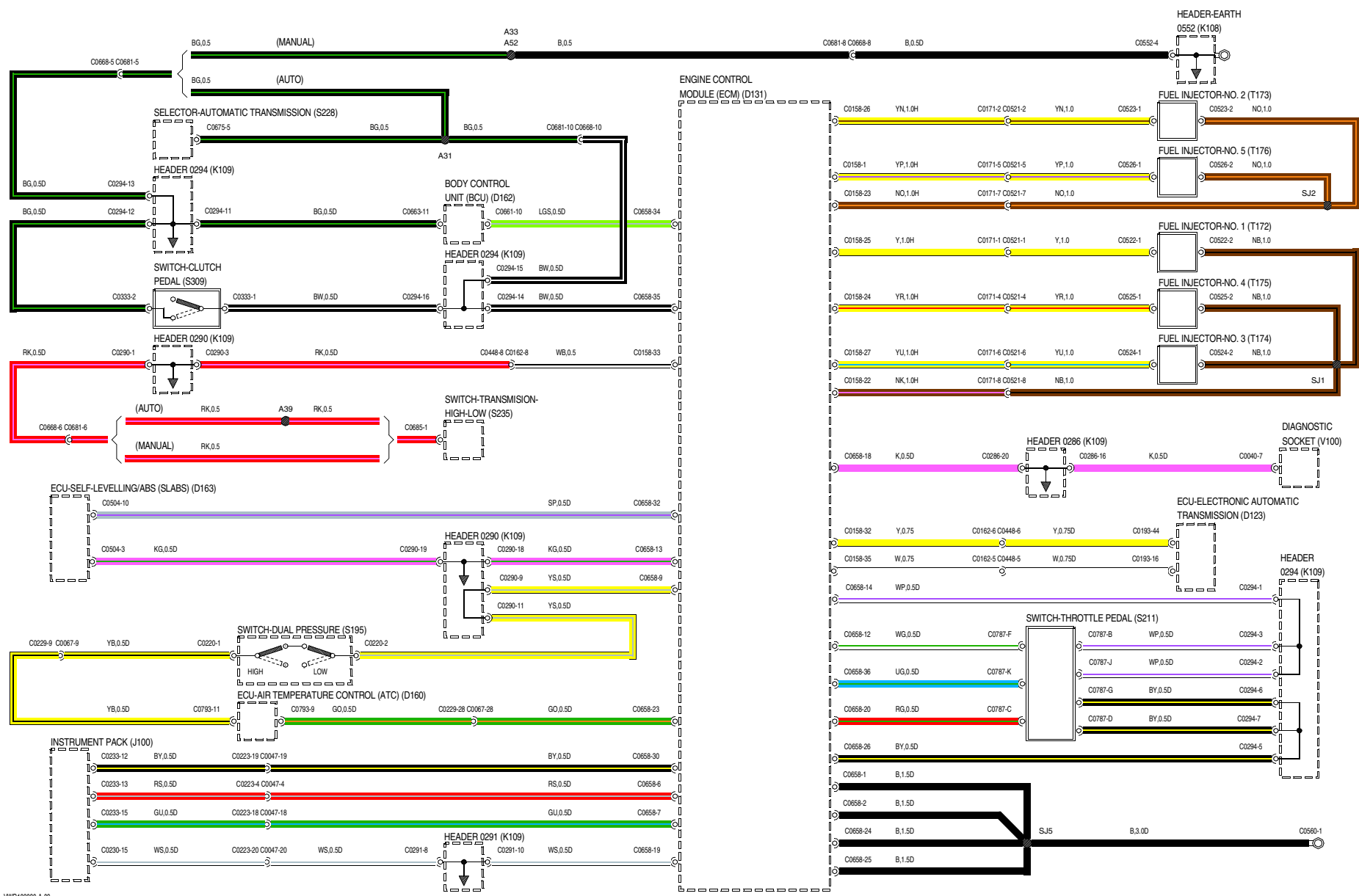
WR102000-A-01



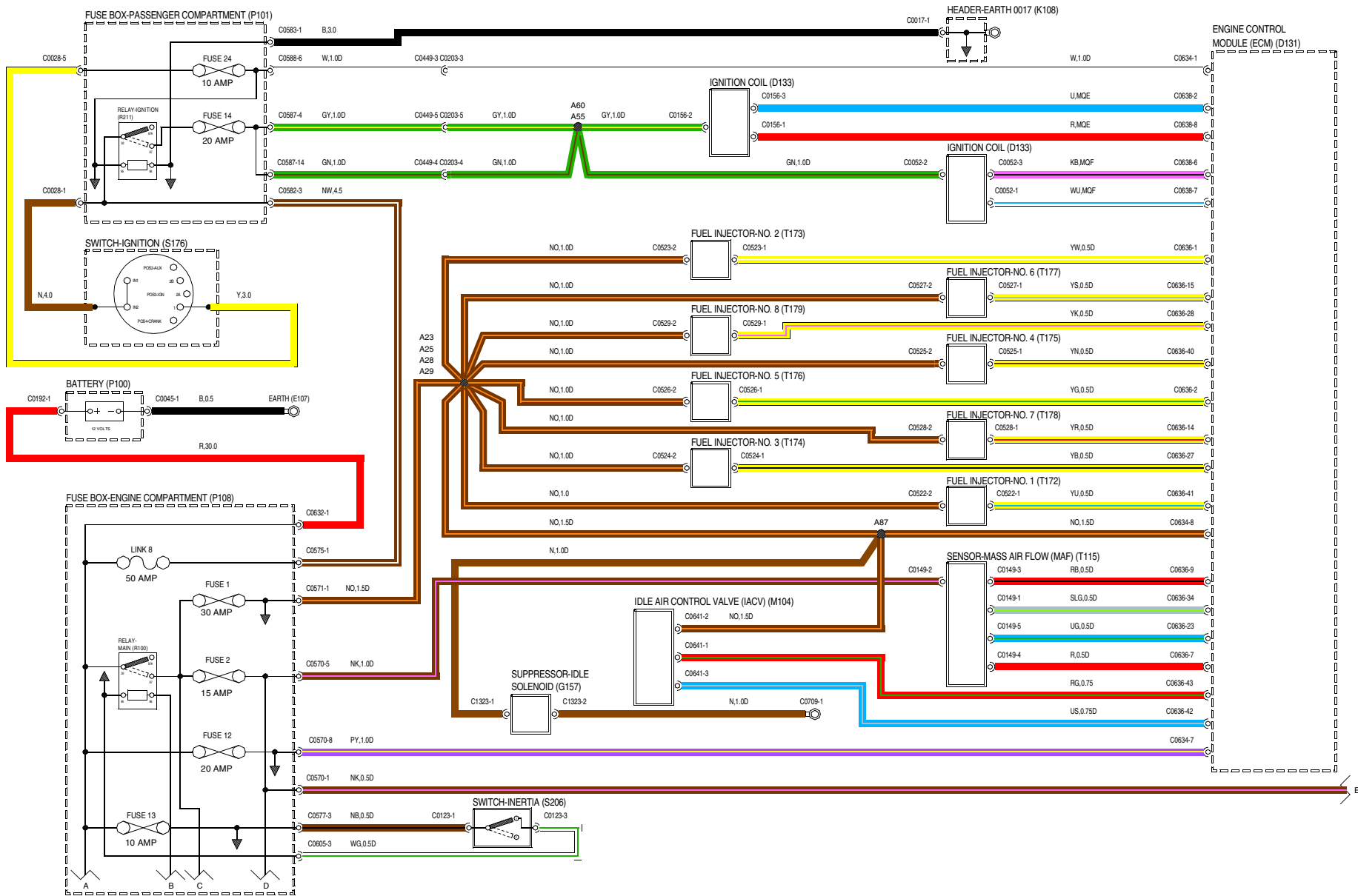
WVR102030-A-01



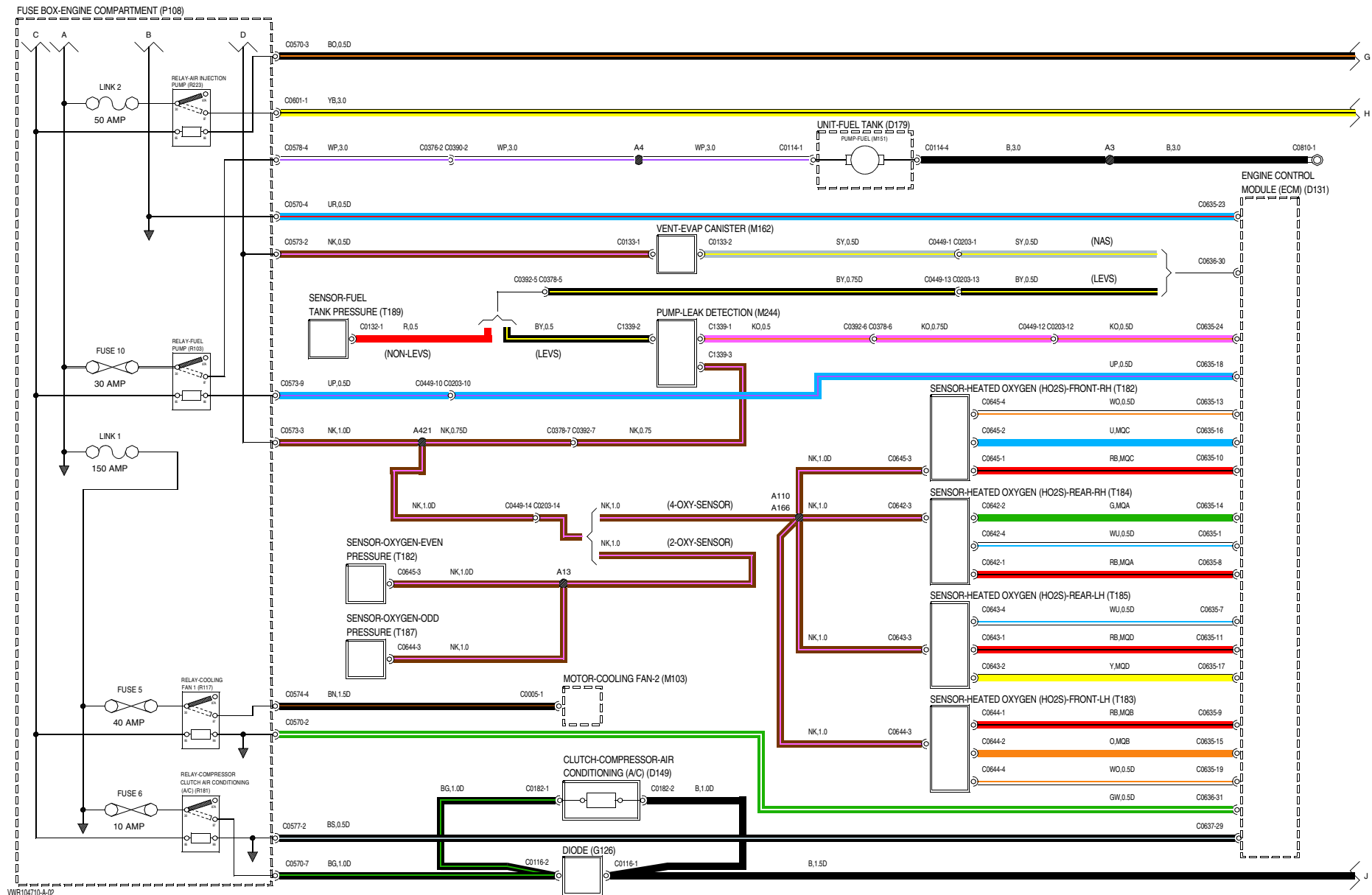
WVR102030-A-02

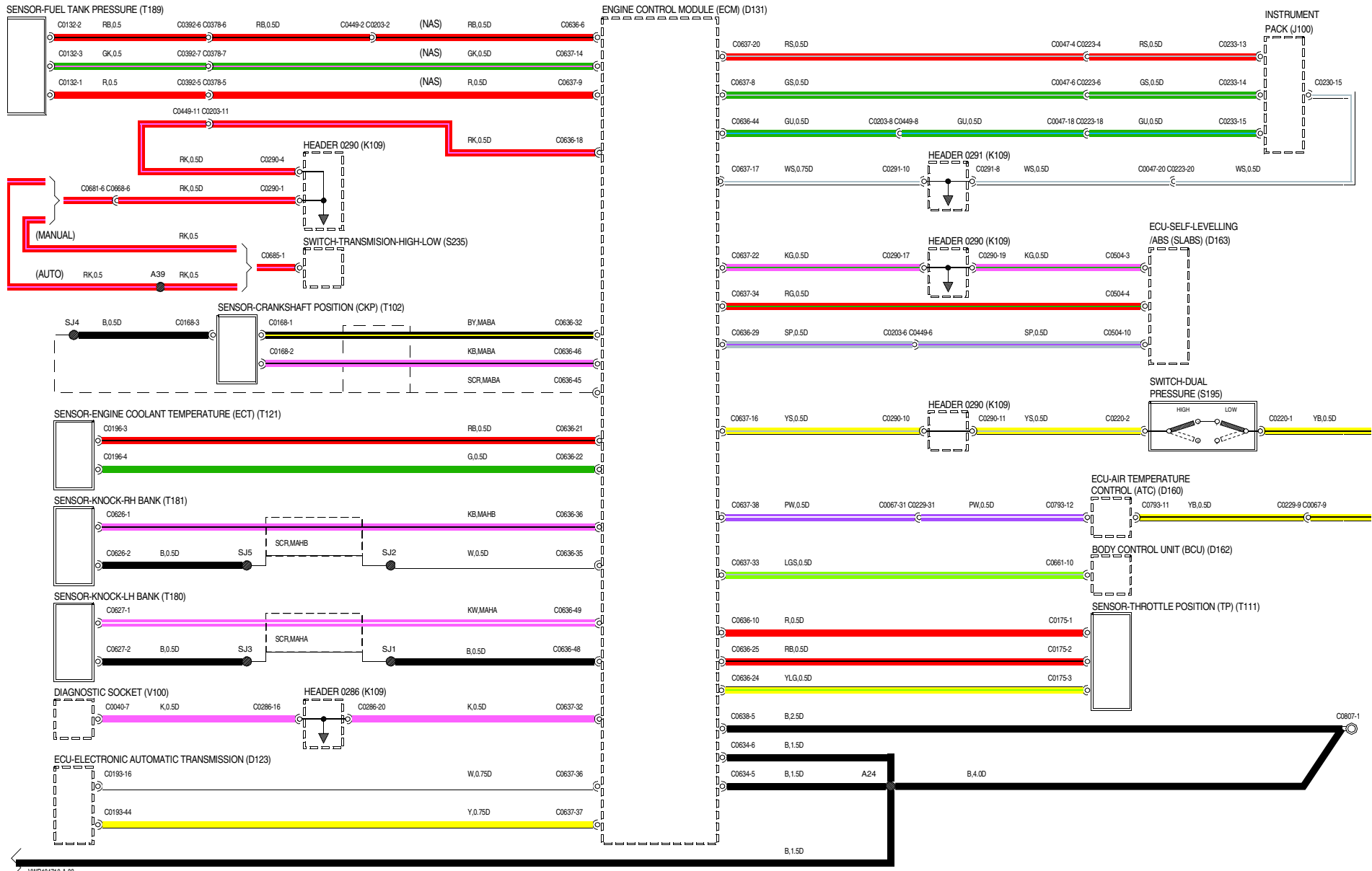


WVR102030-A-03

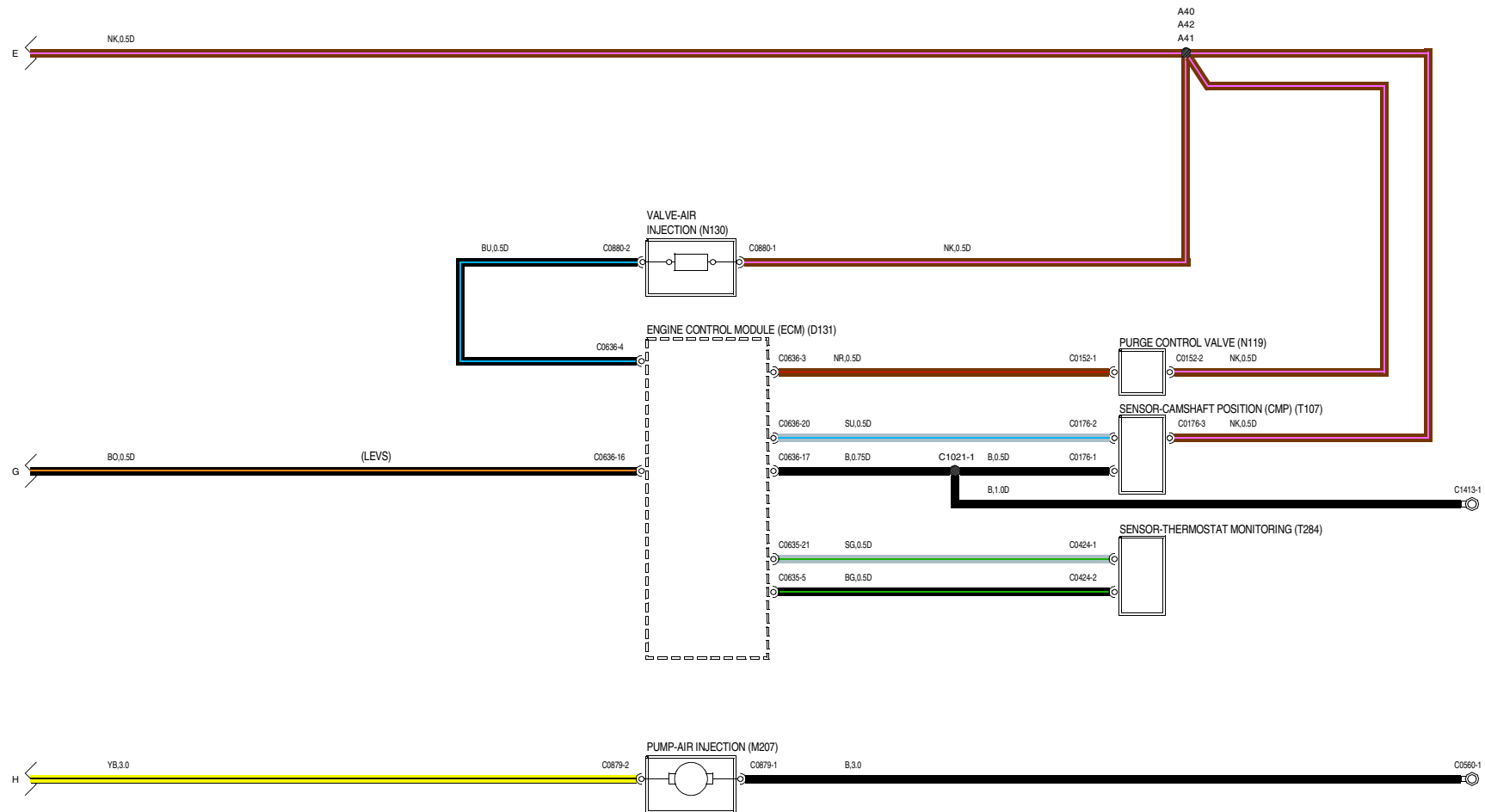


WIR104710-A-01



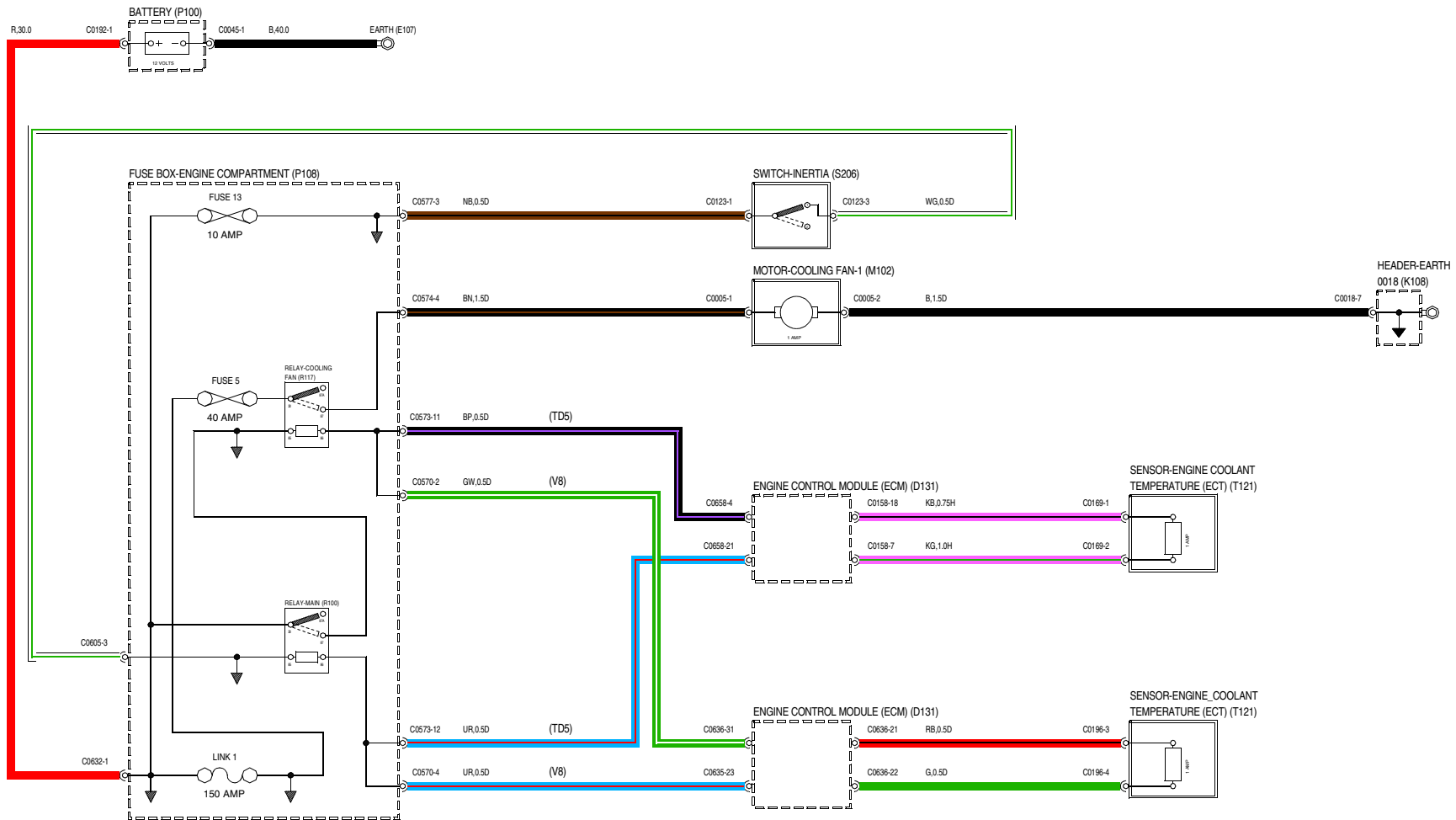


WVR104710-A-03

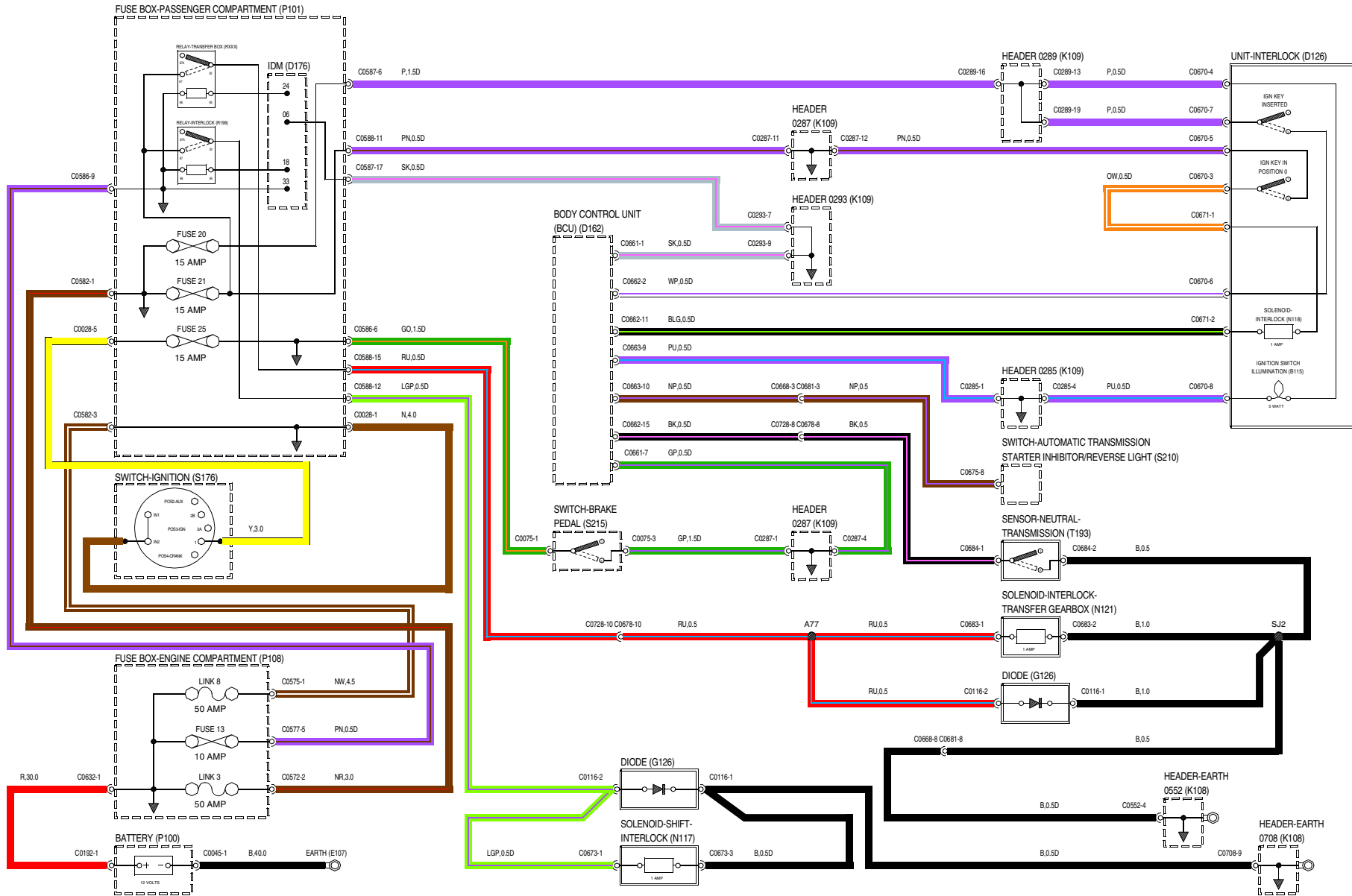


WR104710-A-04

22 COOLING FANS

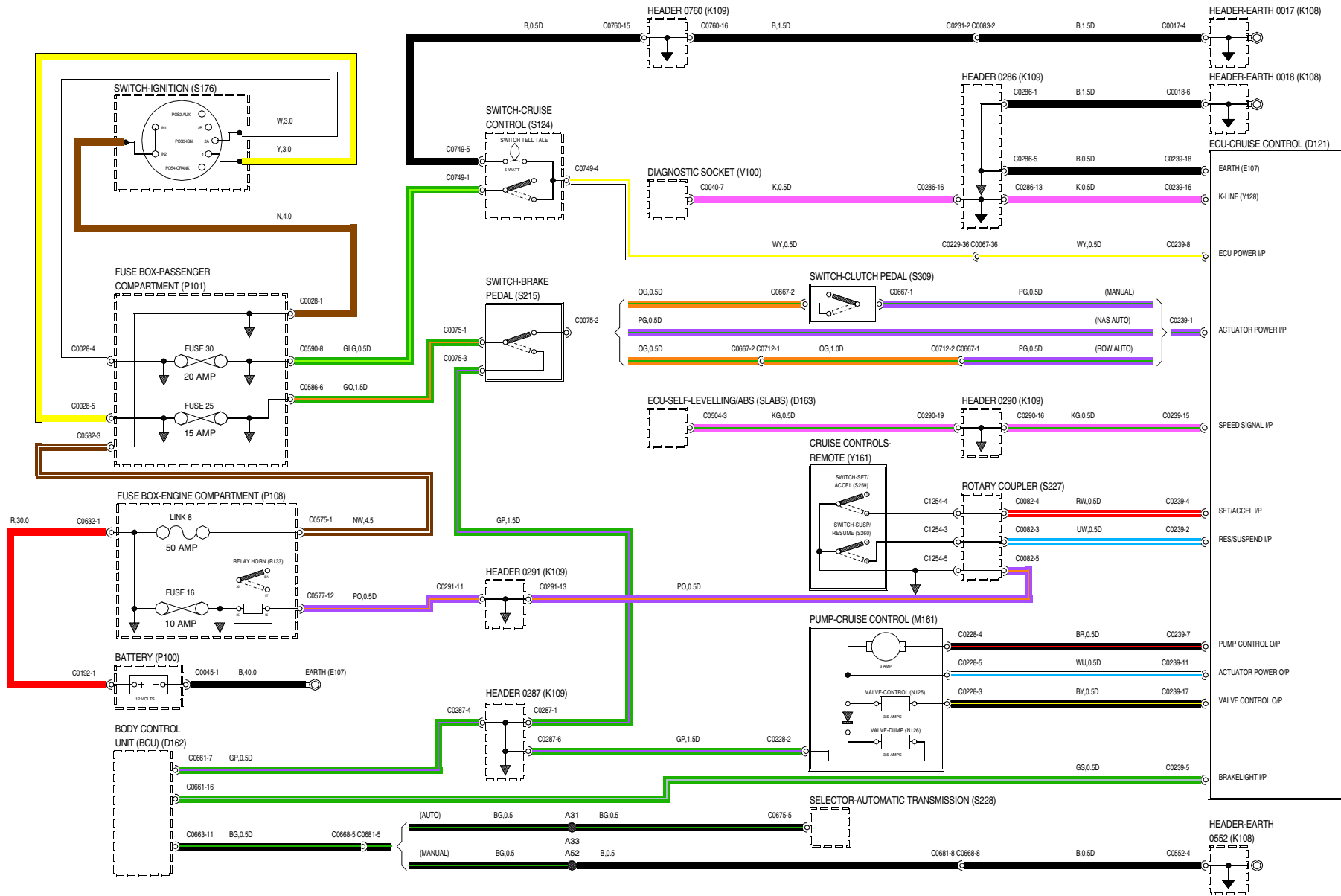


25 SHIFT INTERLOCK



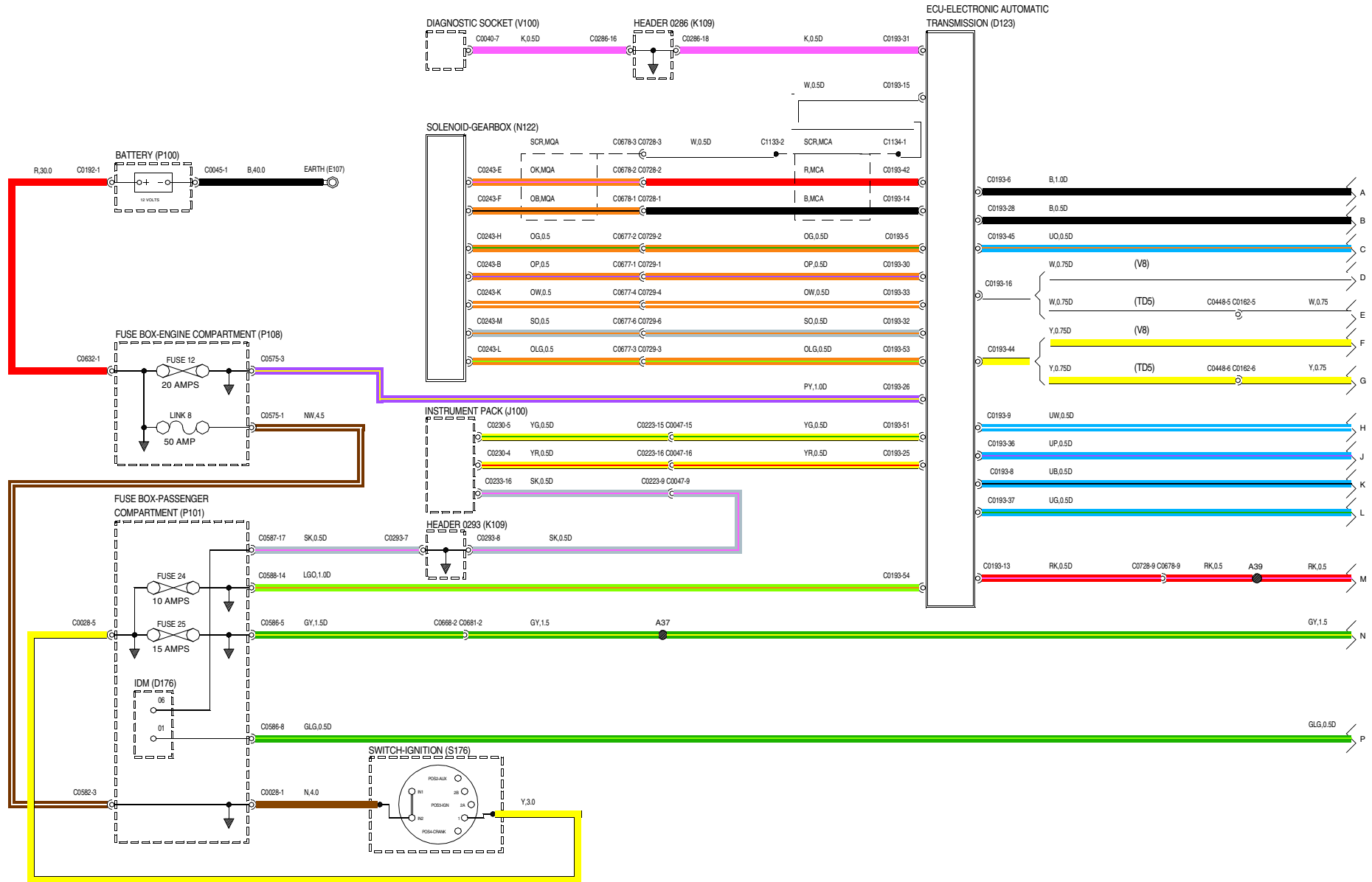
WVR105820-A-01

31 CRUISE CONTROL



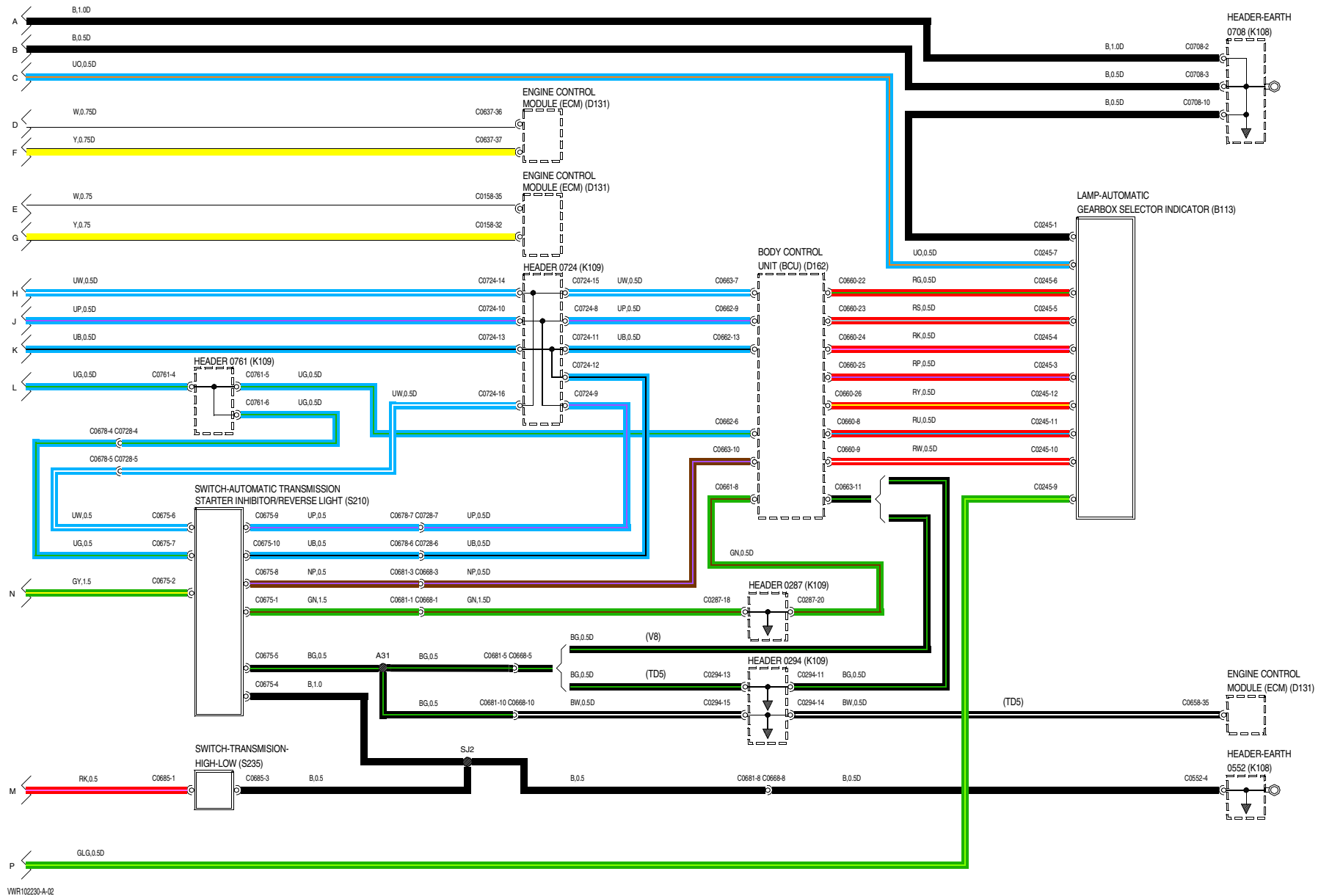
WIR102190-A-01

32 ELECTRONIC AUTOMATIC TRANSMISSION



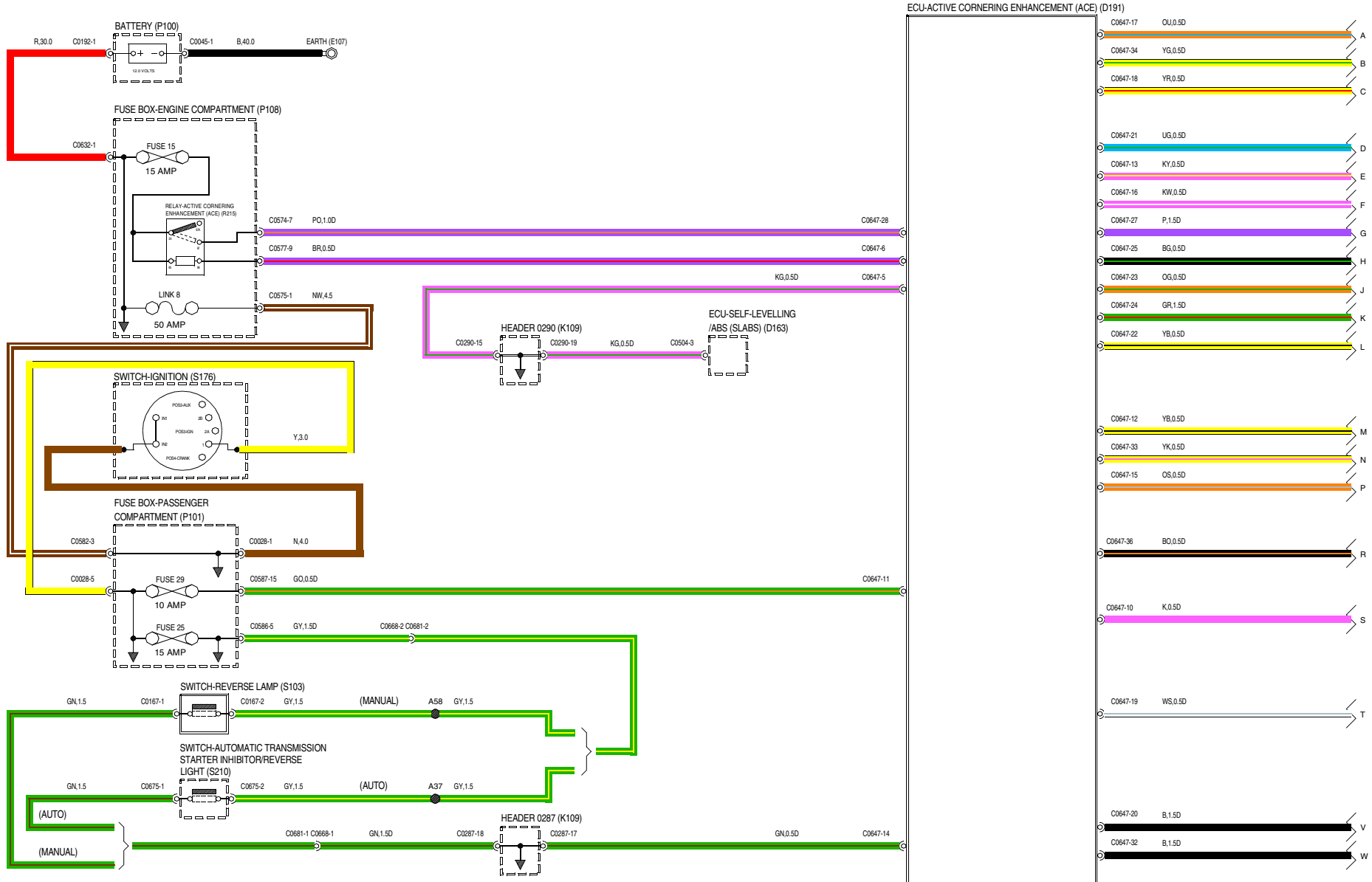
WIR102230-A-01

32 ELECTRONIC AUTOMATIC TRANSMISSION



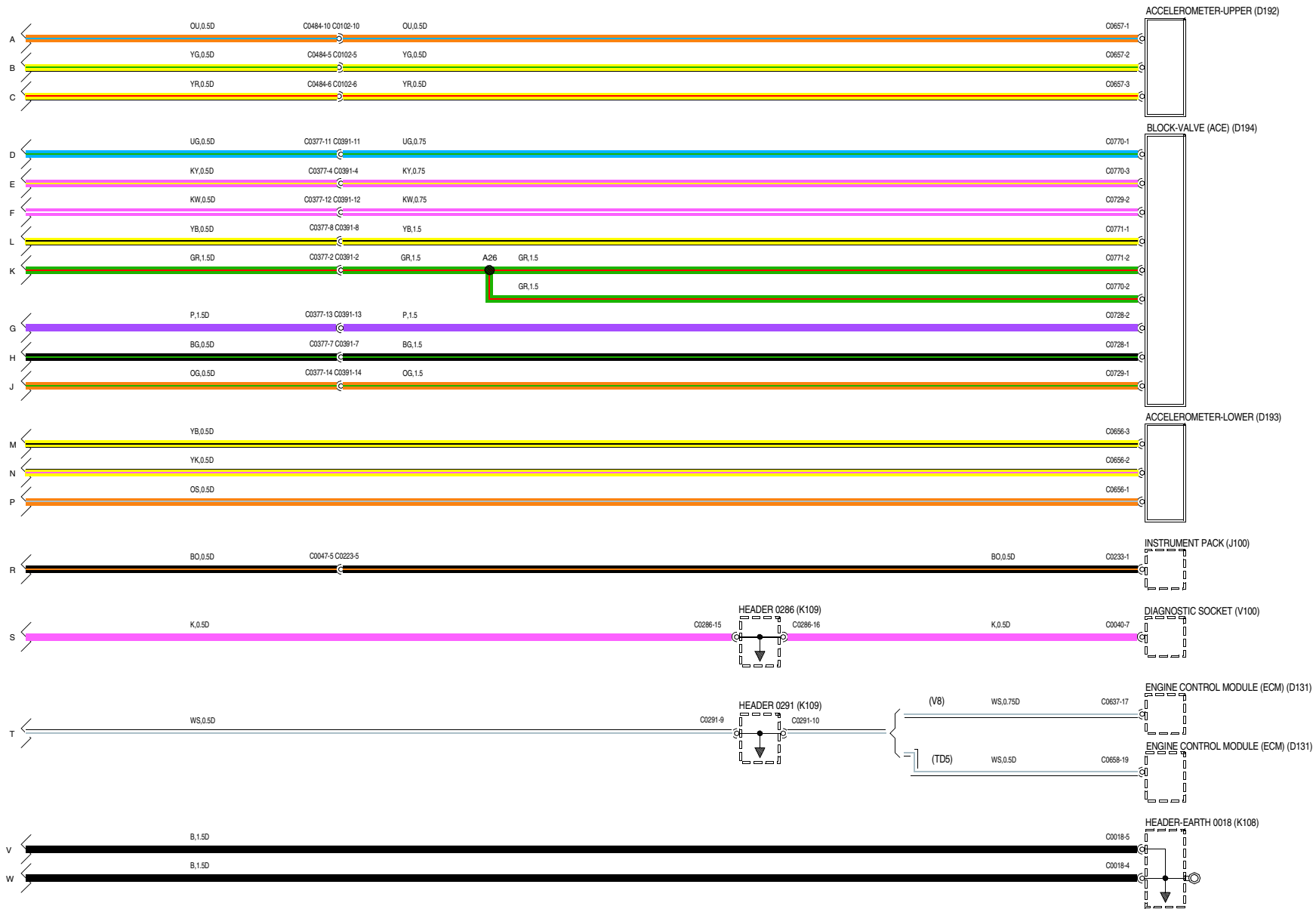
WVR102230-A-02

33 ACTIVE CORNERING ENHANCEMENT (ACE)



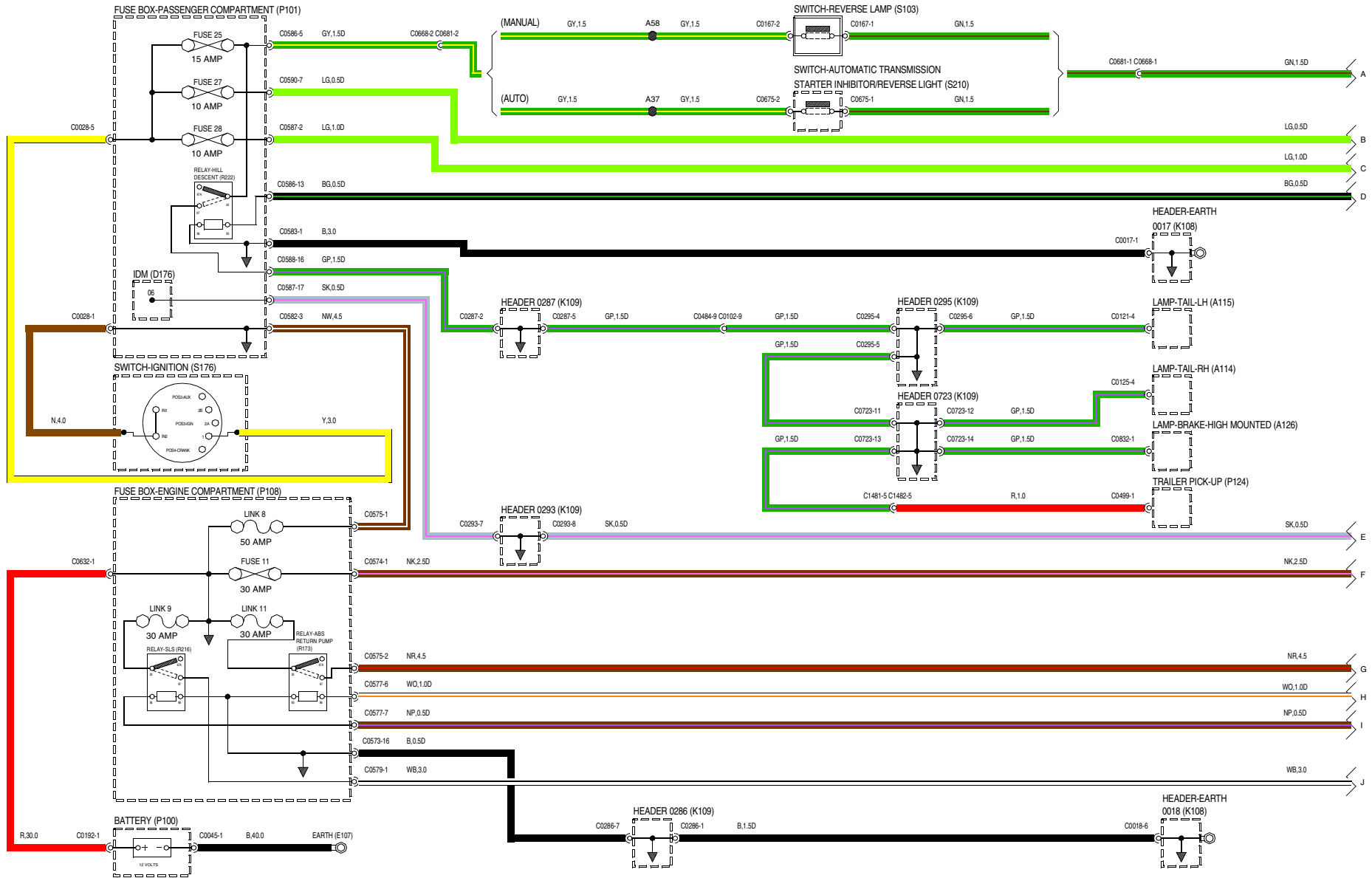
WVR108860-1d1

33 ACTIVE CORNERING ENHANCEMENT (ACE)



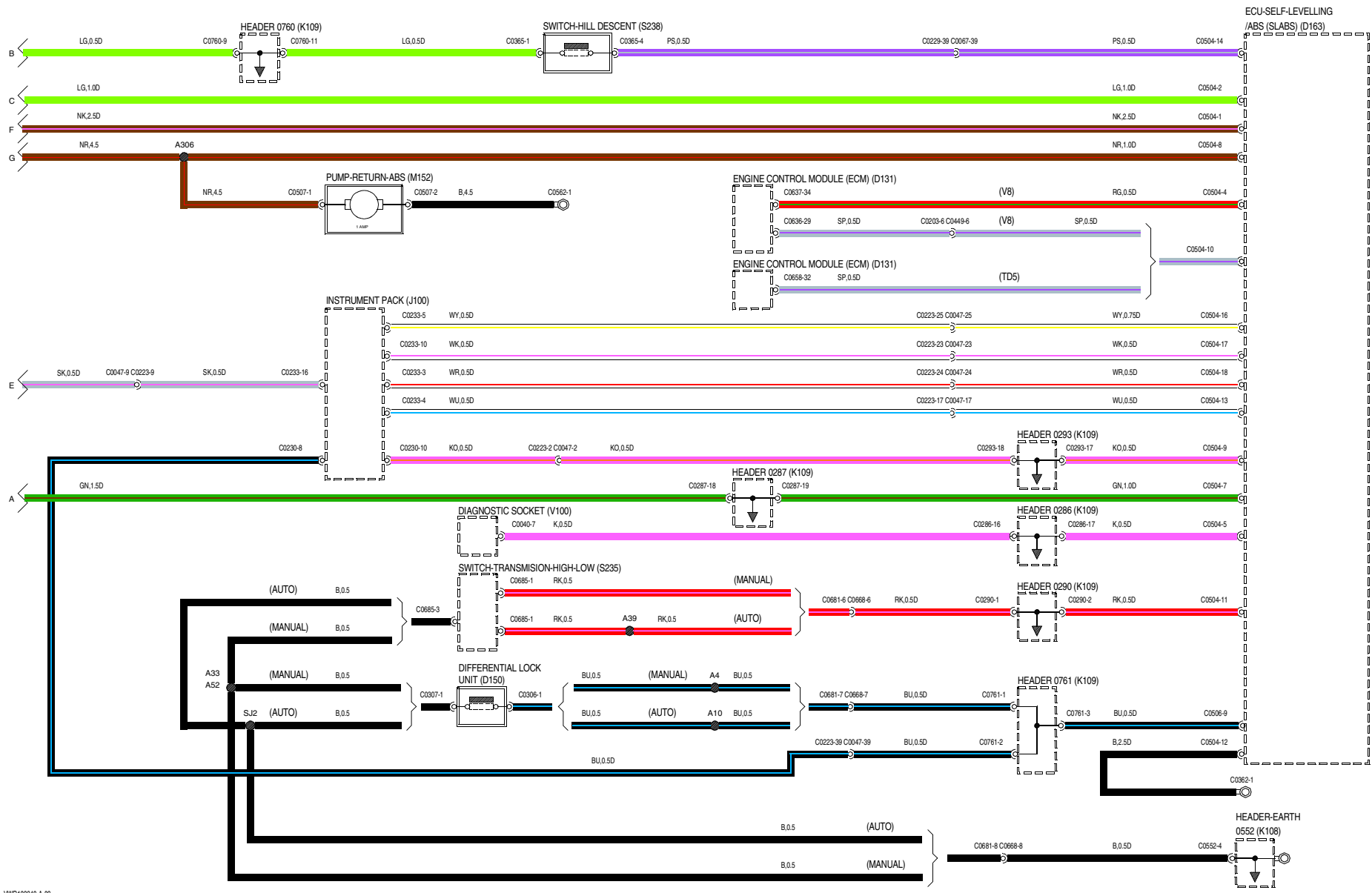
WVR102250-A-02

34 SELF LEVELING AND ANTI-LOCK BRAKING SYSTEM (SLABS)



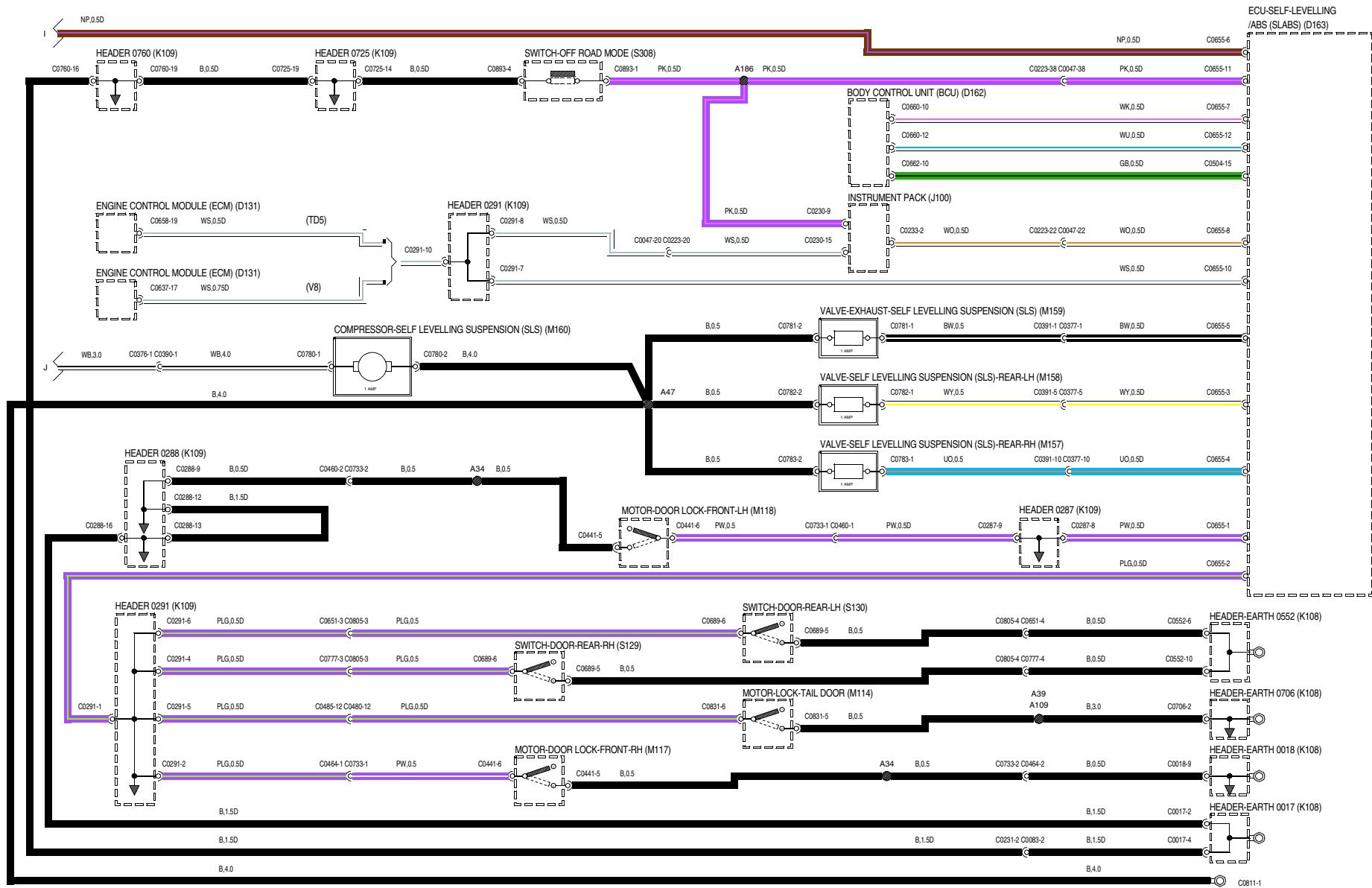
WIR102240-A-01

34 SELF LEVELING AND ANTI-LOCK BRAKING SYSTEM (SLABS)



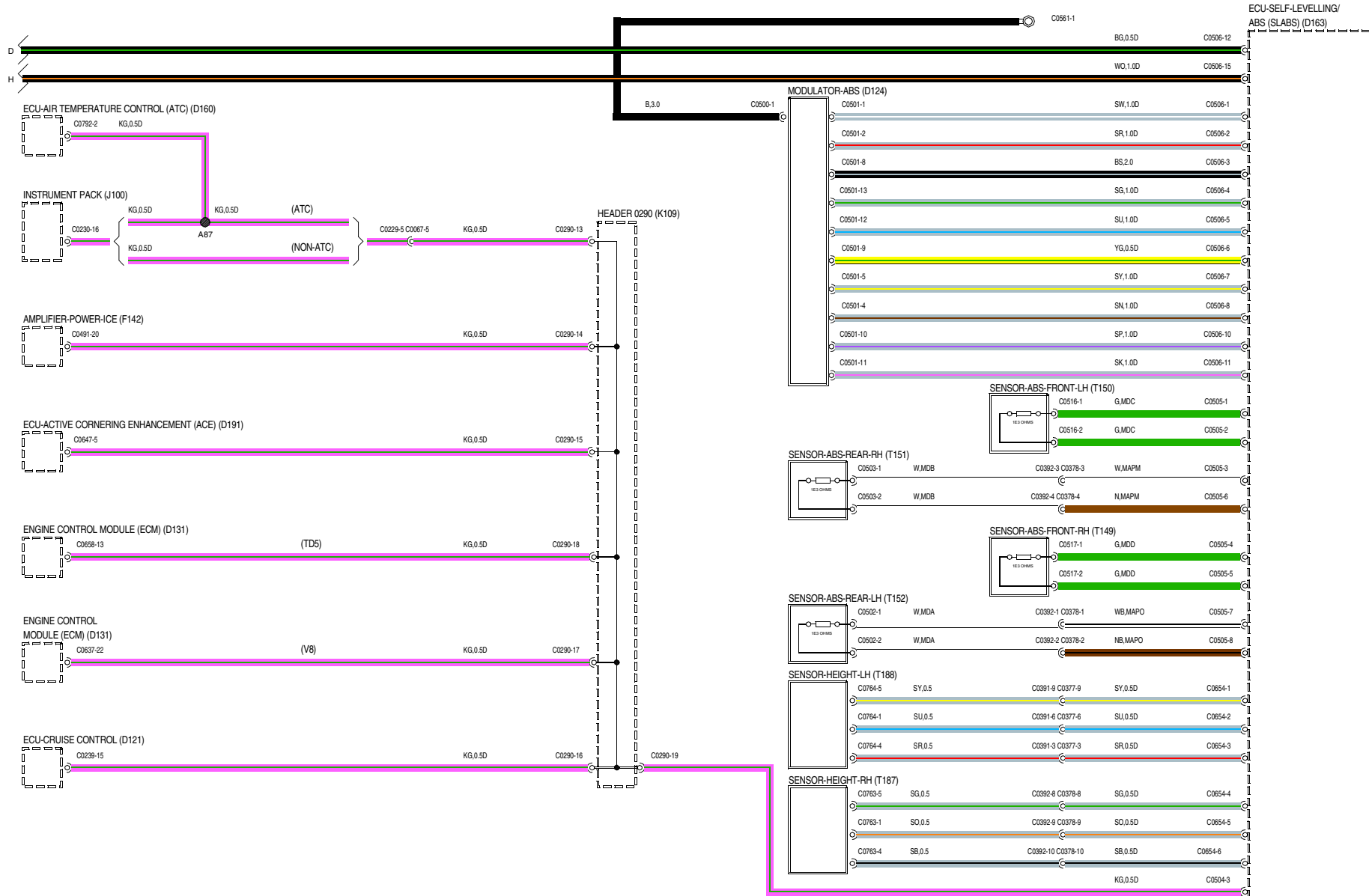
WVR102240-A-02

34 SELF LEVELING AND ANTI-LOCK BRAKING SYSTEM (SLABS)



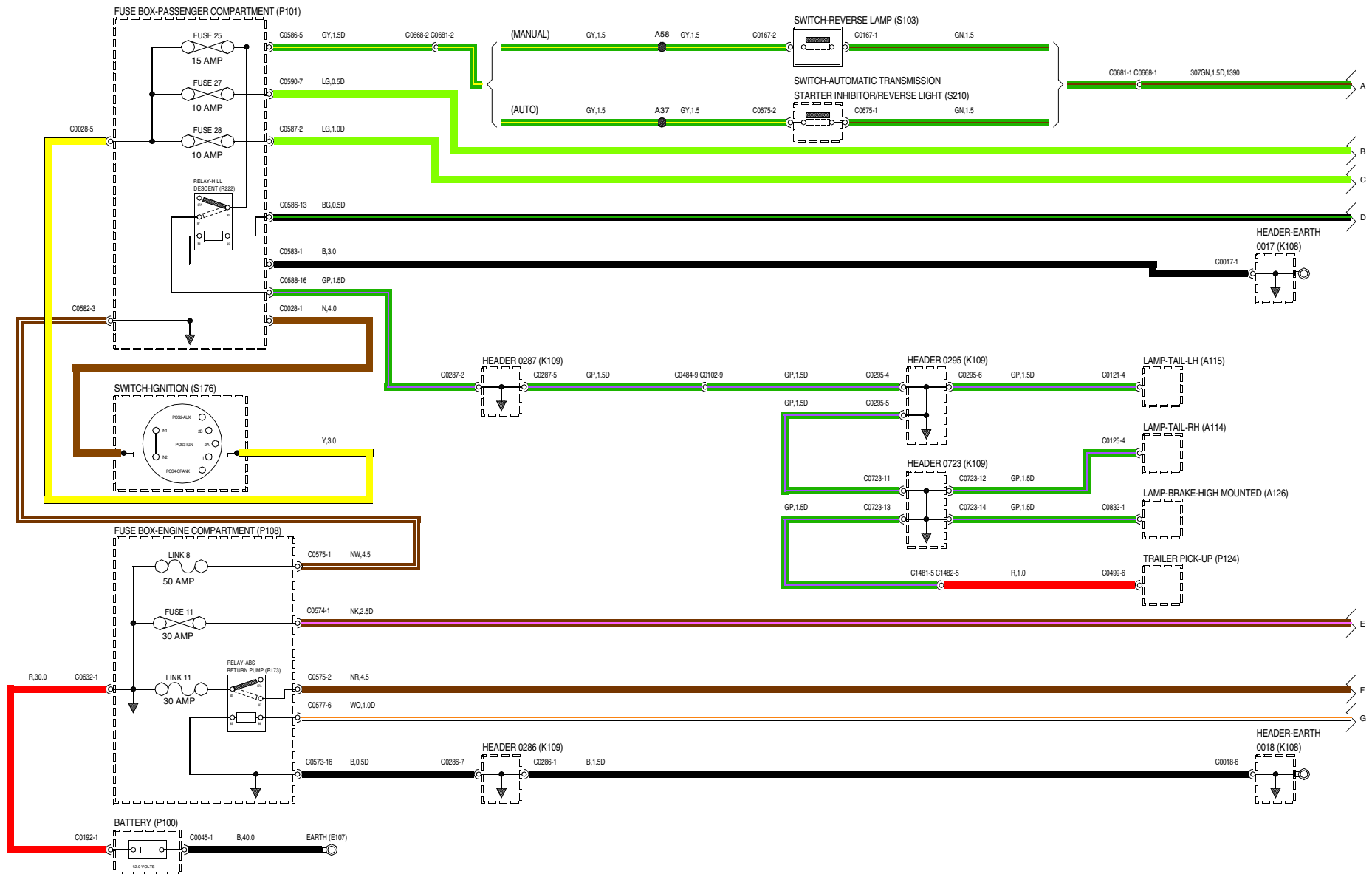
WVR102240-A-03

34 SELF LEVELING AND ANTI-LOCK BRAKING SYSTEM (SLABS)



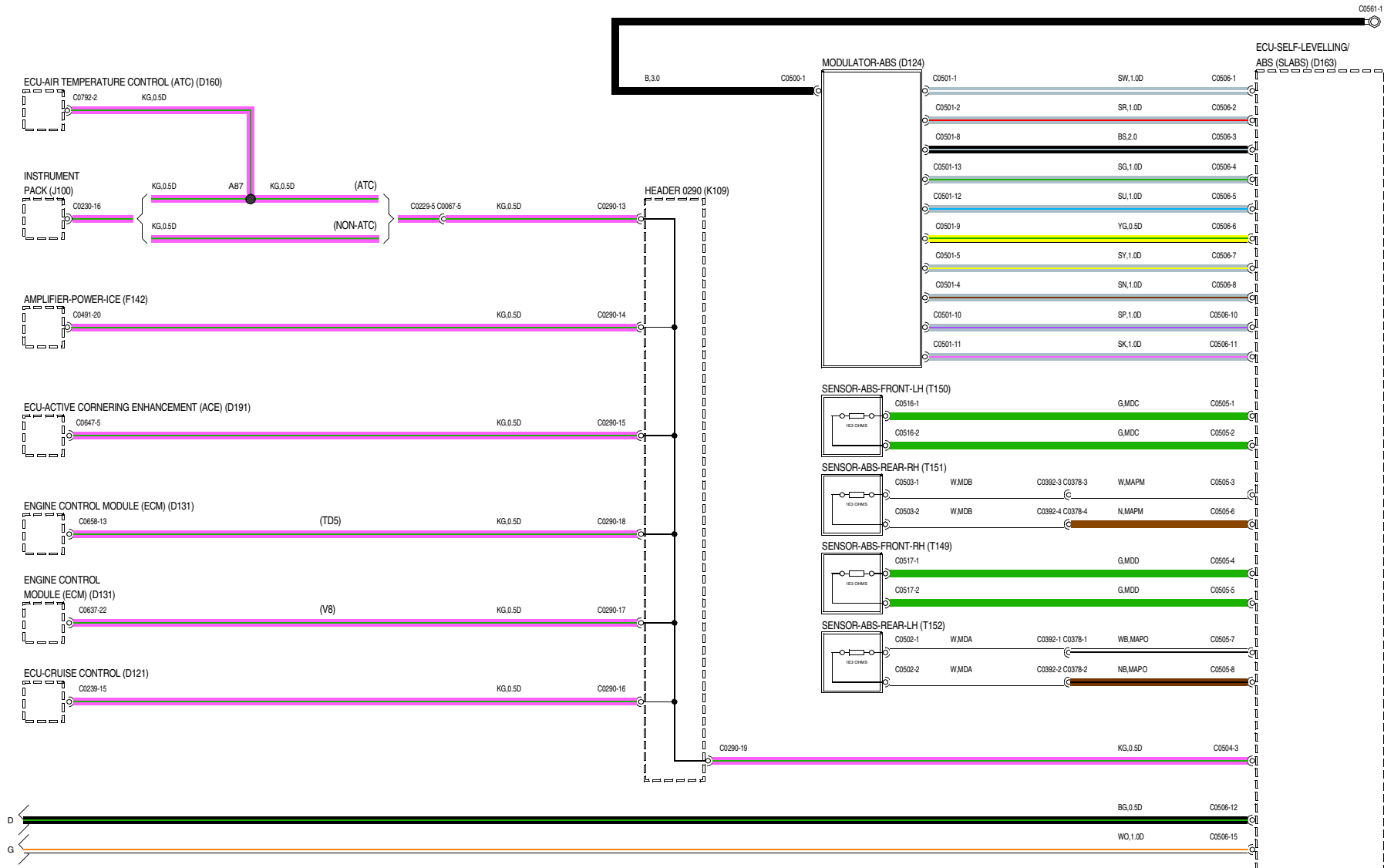
WR102240-A-04

35 ANTI-LOCK BRAKING SYSTEM (ABS)



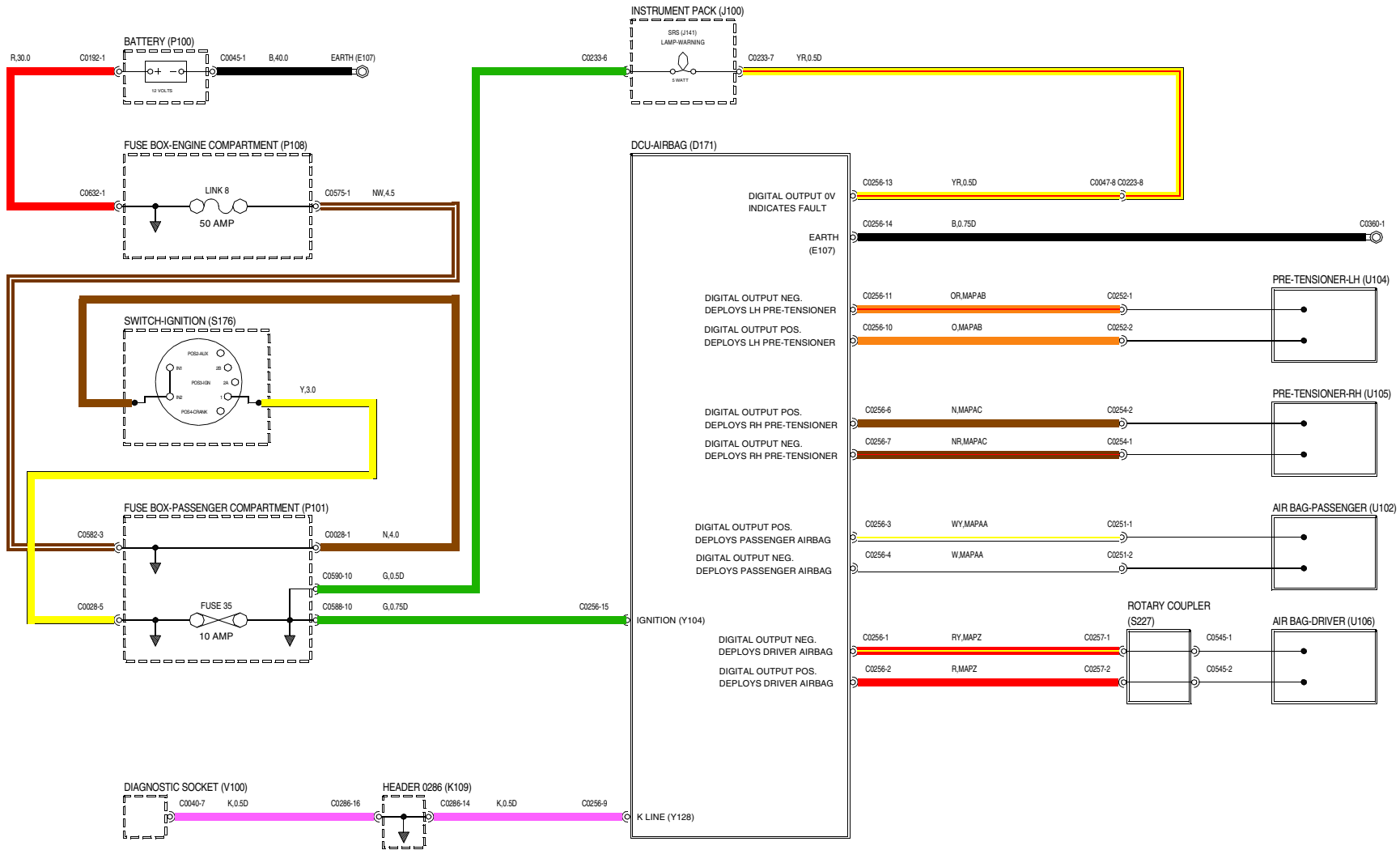
WRI08110-A-01

35 ANTI-LOCK BRAKING SYSTEM (ABS)



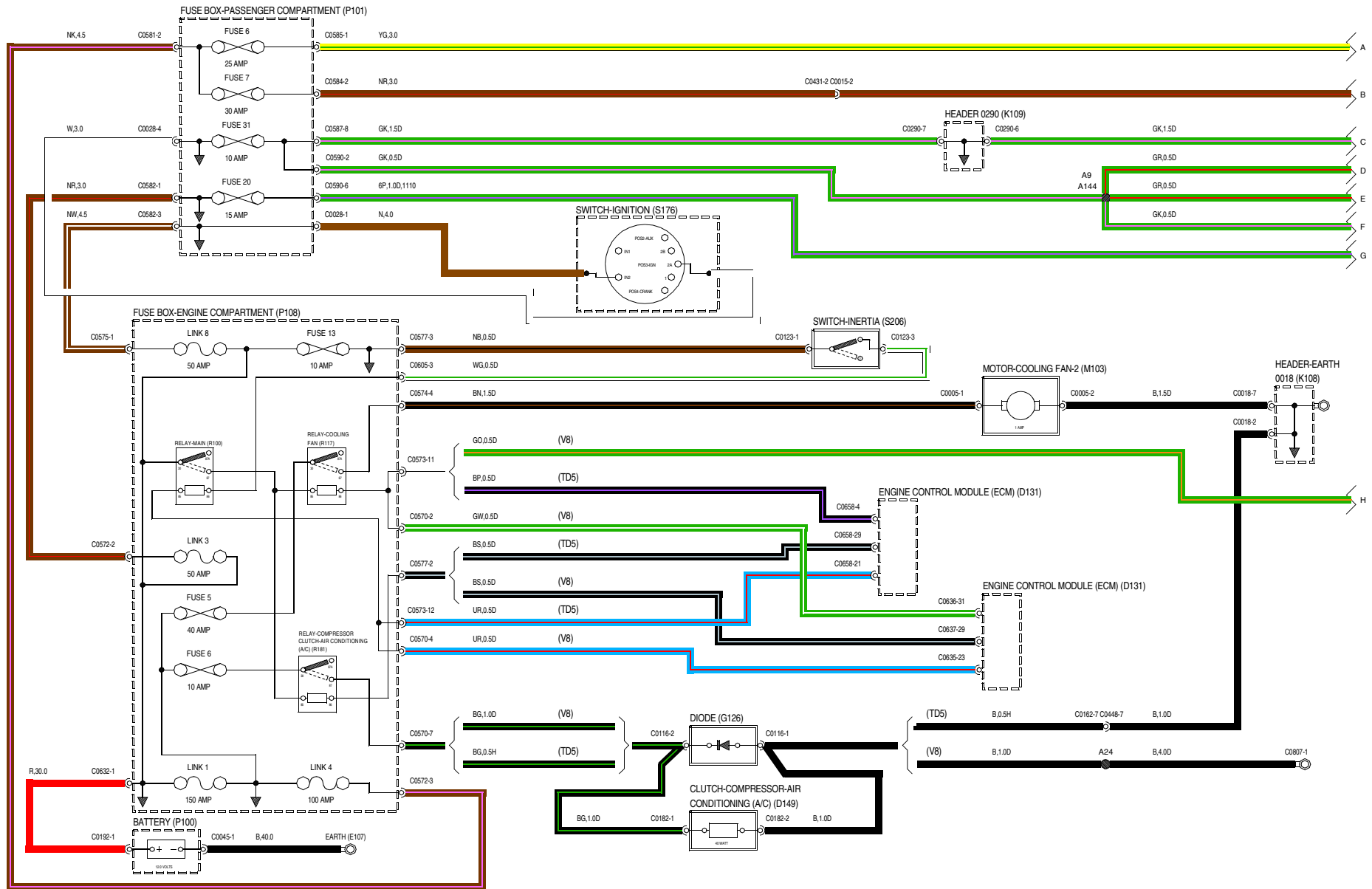
WVR108110-A-03

36 SUPPLEMENTARY RESTRAINT SYSTEM (SRS)



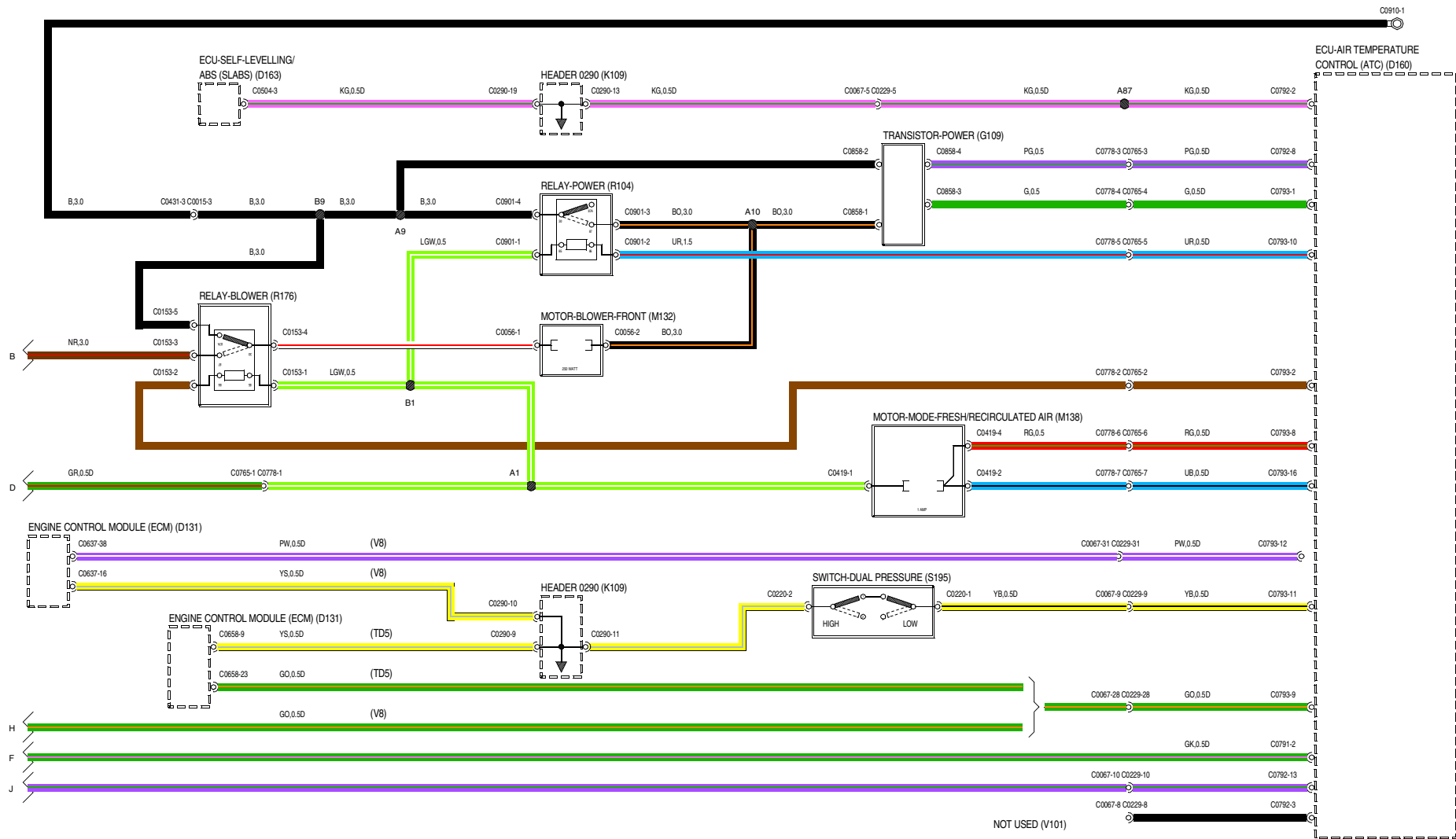
WR102110-A-01

38 AIR CONDITIONING



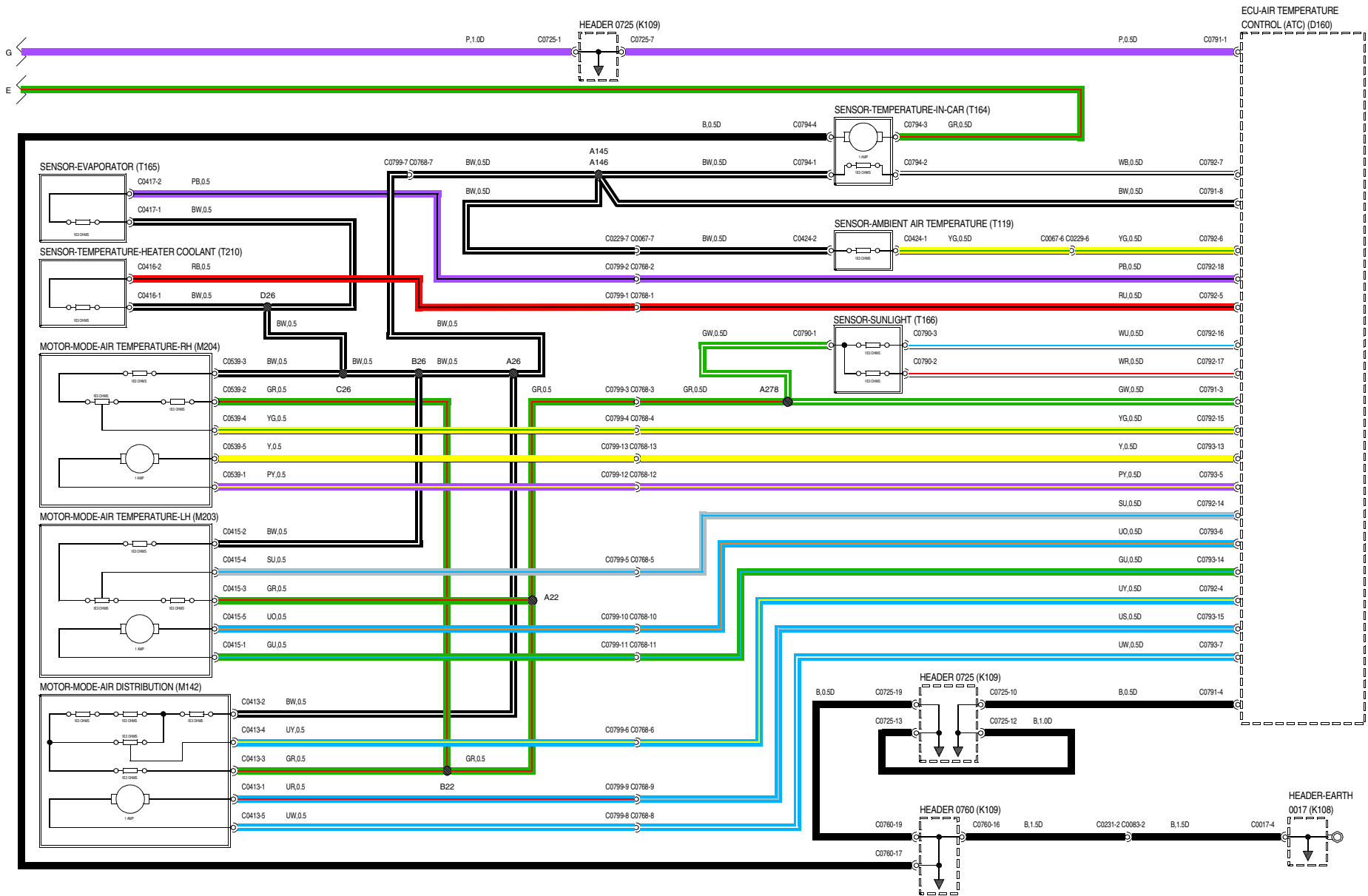
WIR101970-A-01

38 AIR CONDITIONING

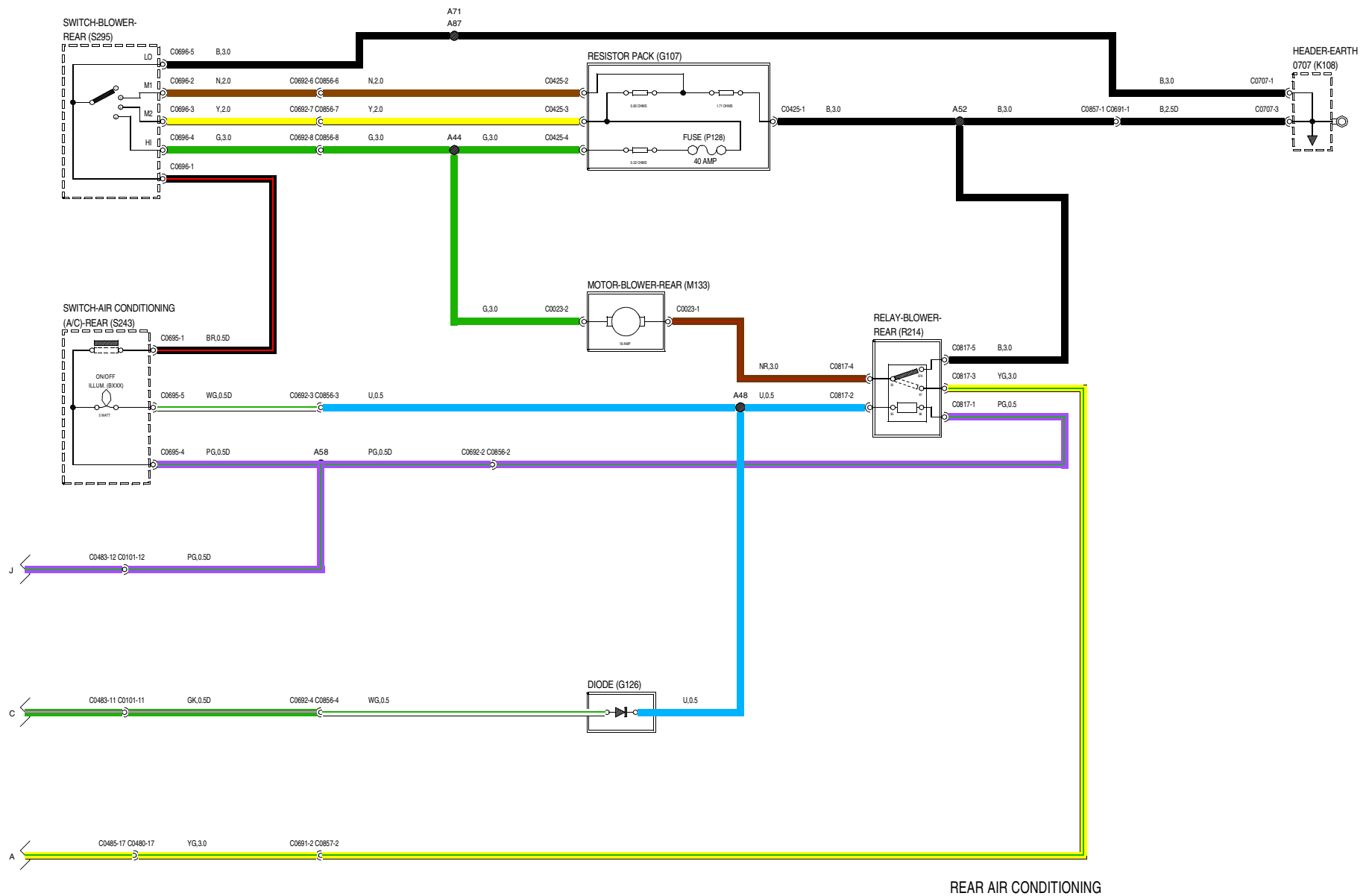


WR101970-A-02

38 AIR CONDITIONING



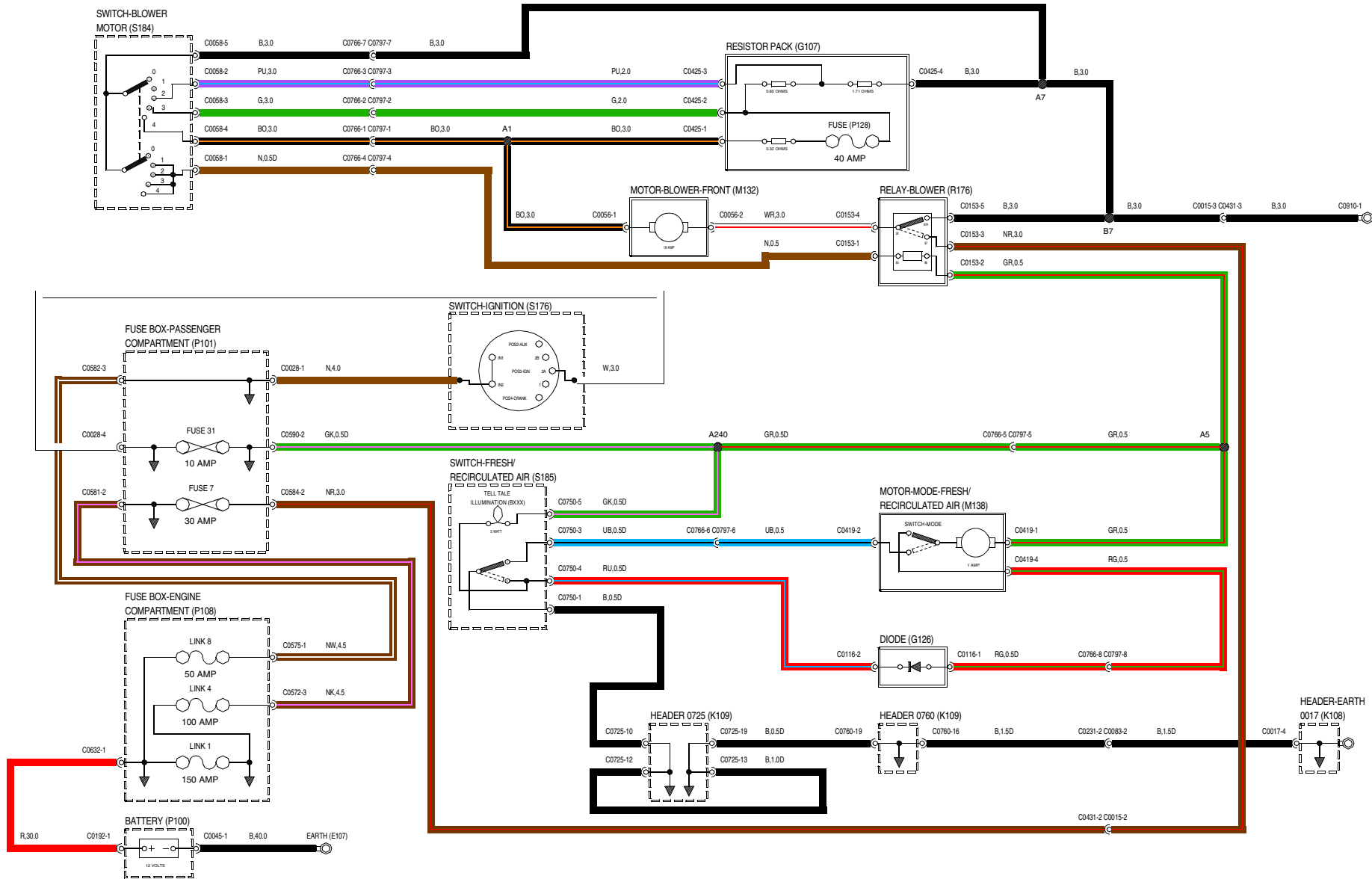
38 AIR CONDITIONING



REAR AIR CONDITIONING

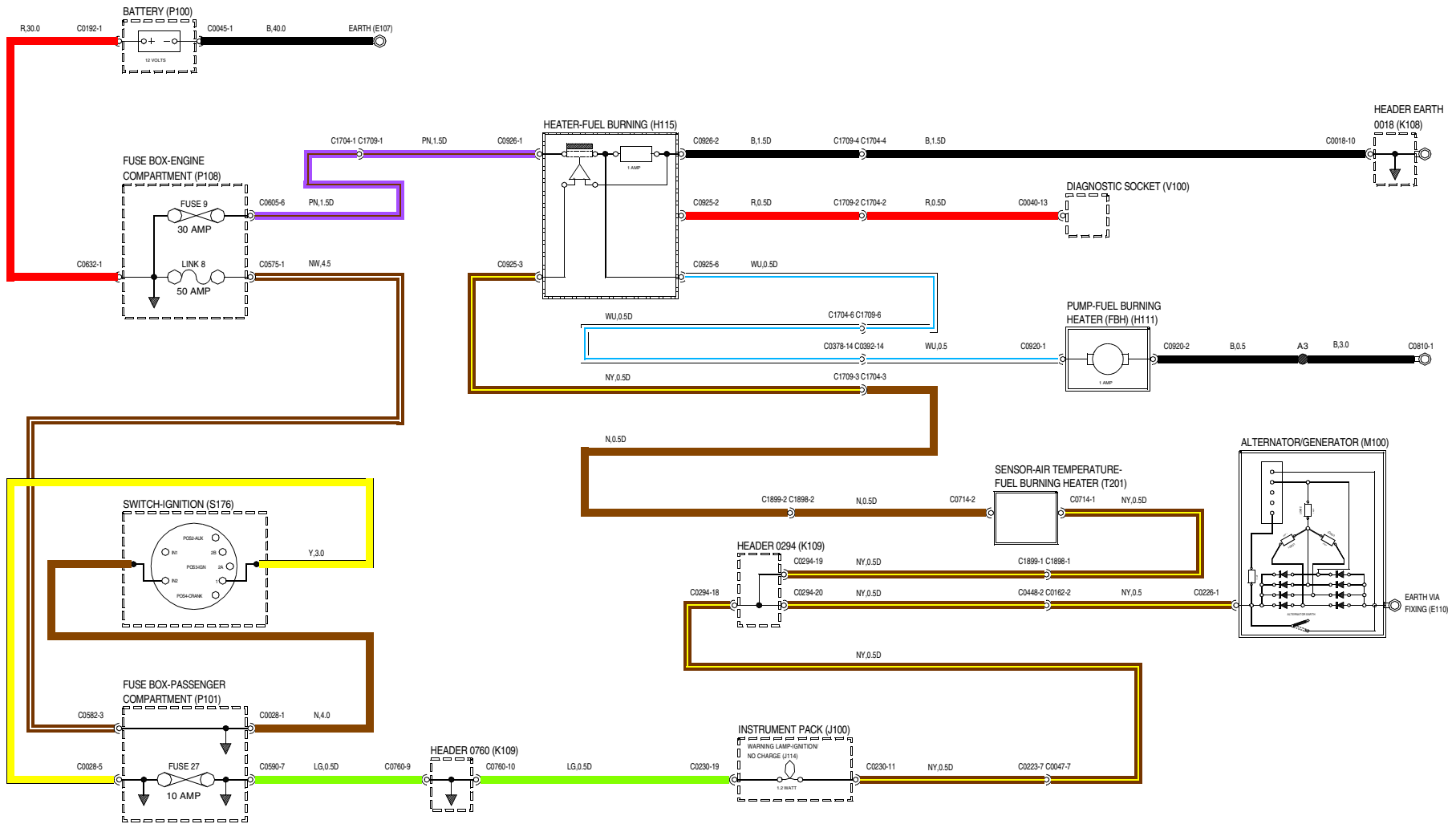
WVR101970-A-04

39 HEATER



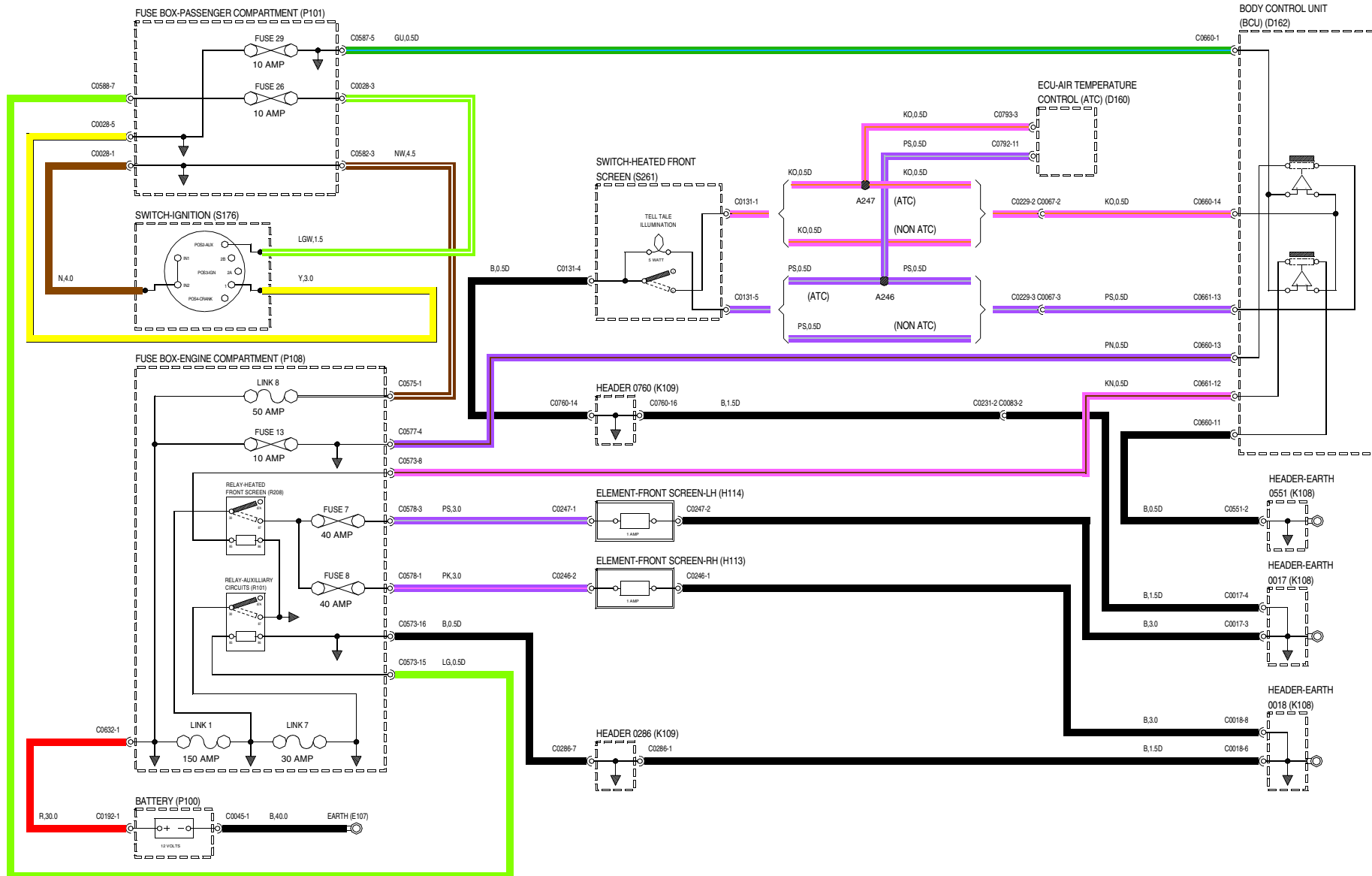
WVR102050-A-01

39 FUEL BURNING HEATER



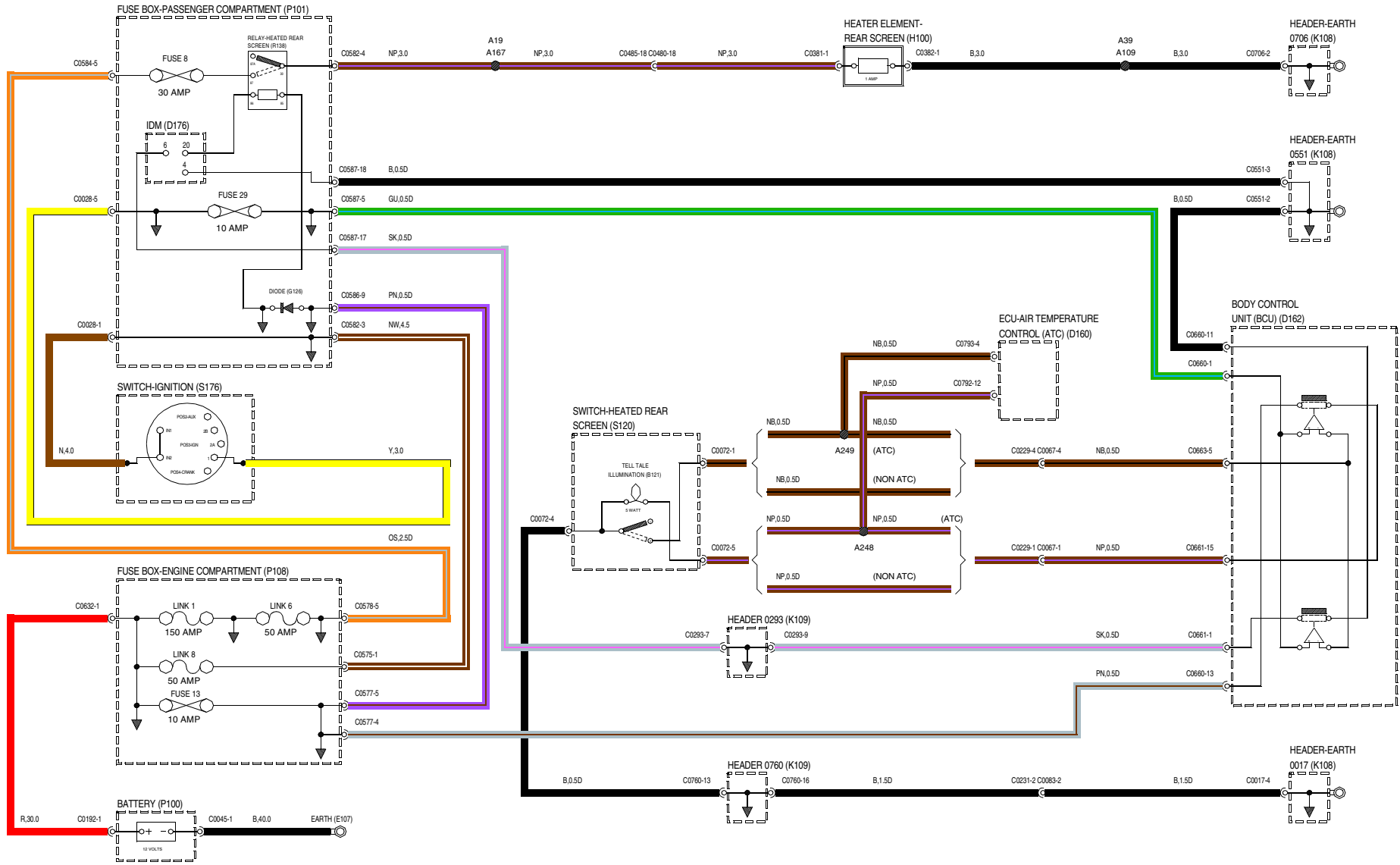
WVR108310-A-01

40 HEATED FRONT SCREEN



WR102120-A-01

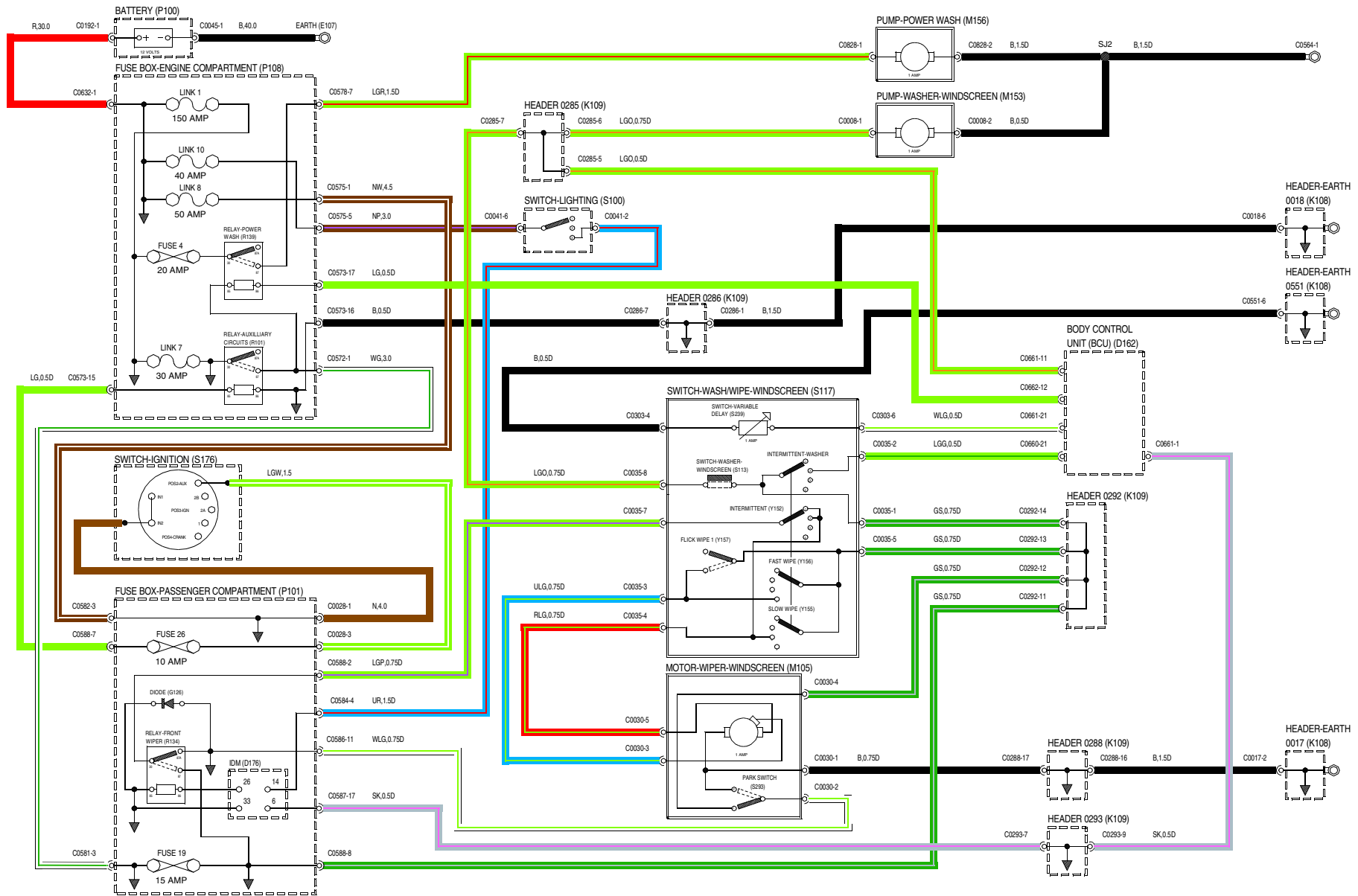
40 HEATED REAR WINDOW



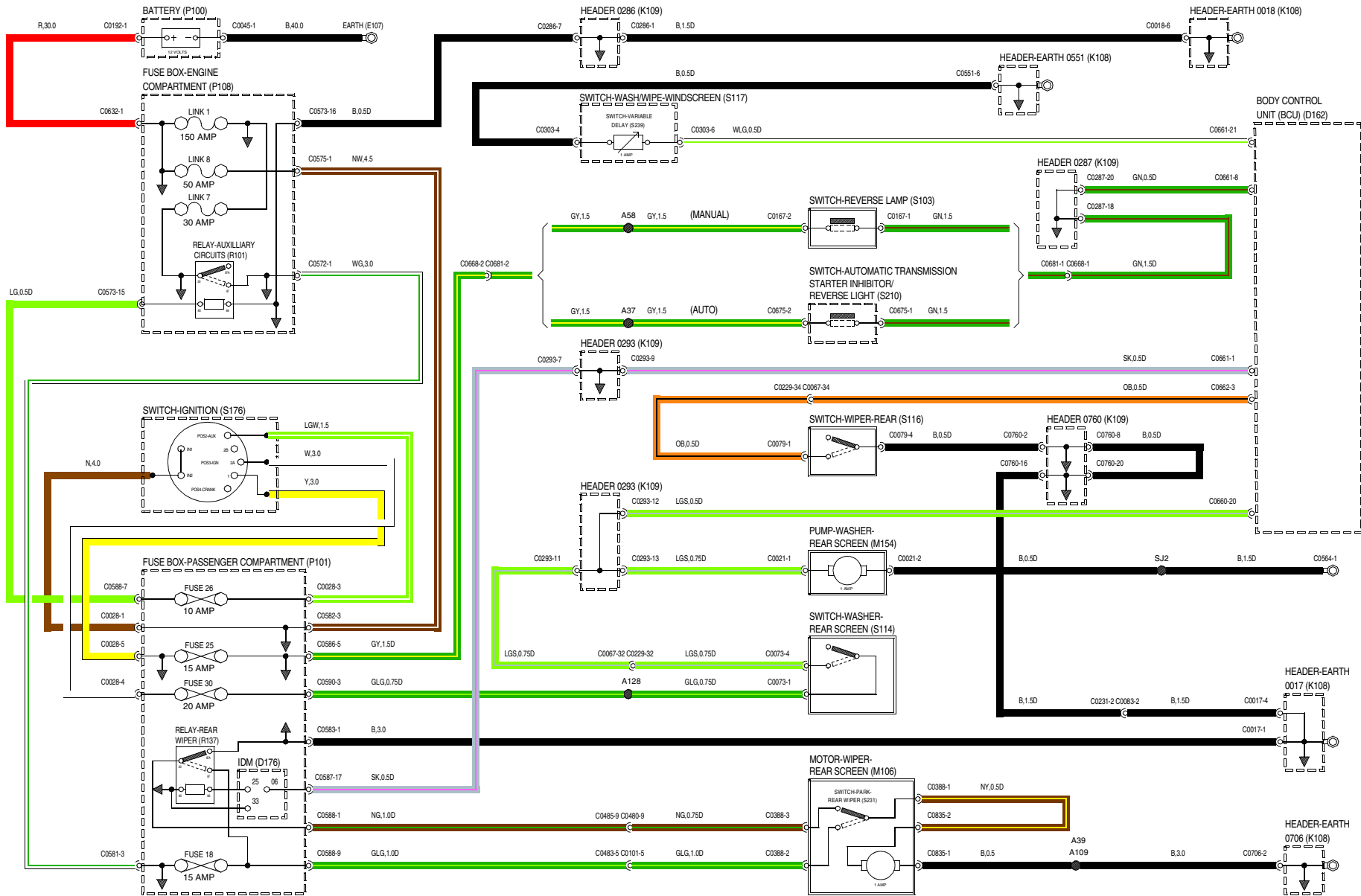
WR101940-A-01

42 WIPERS AND WASHERS

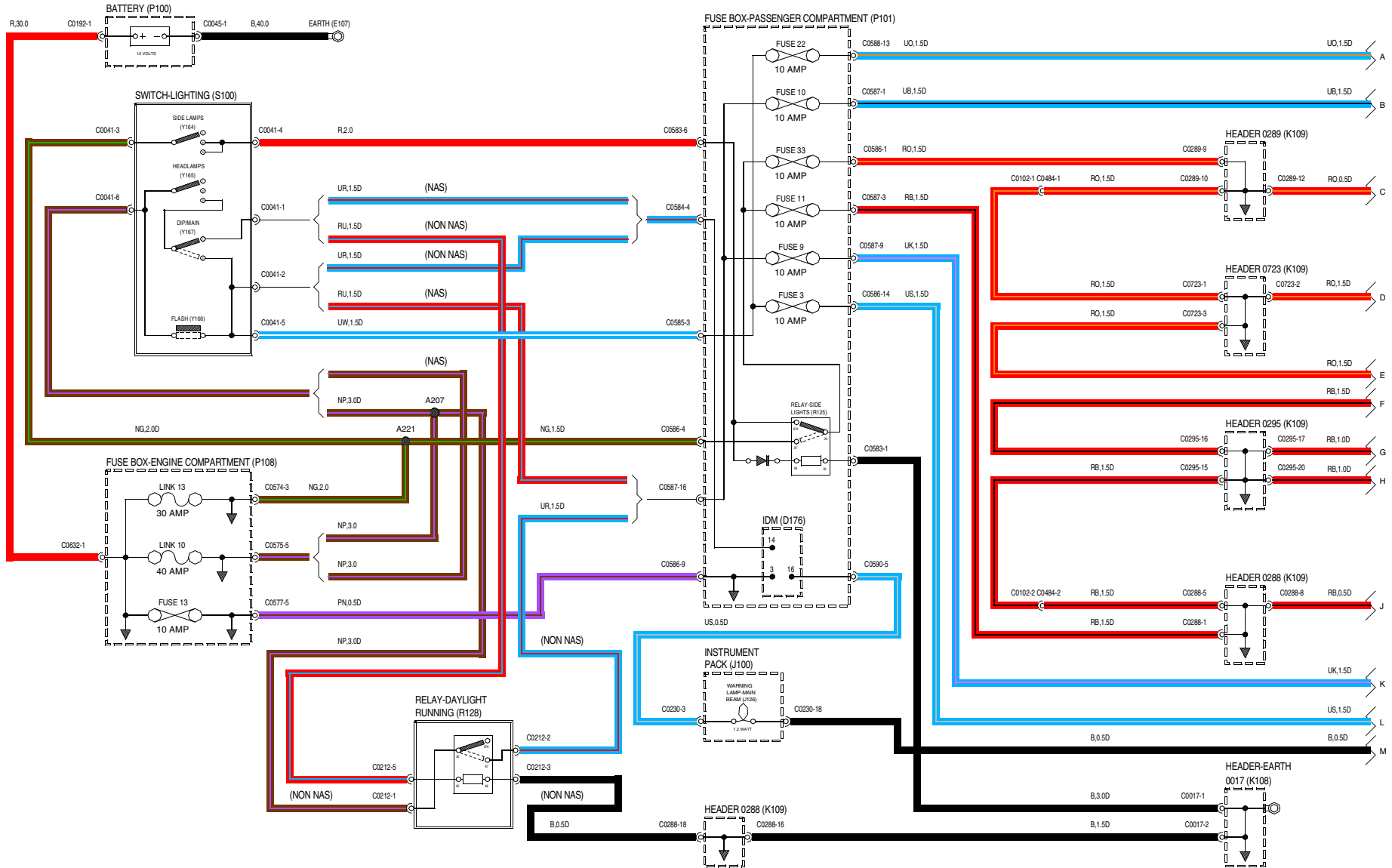
Front



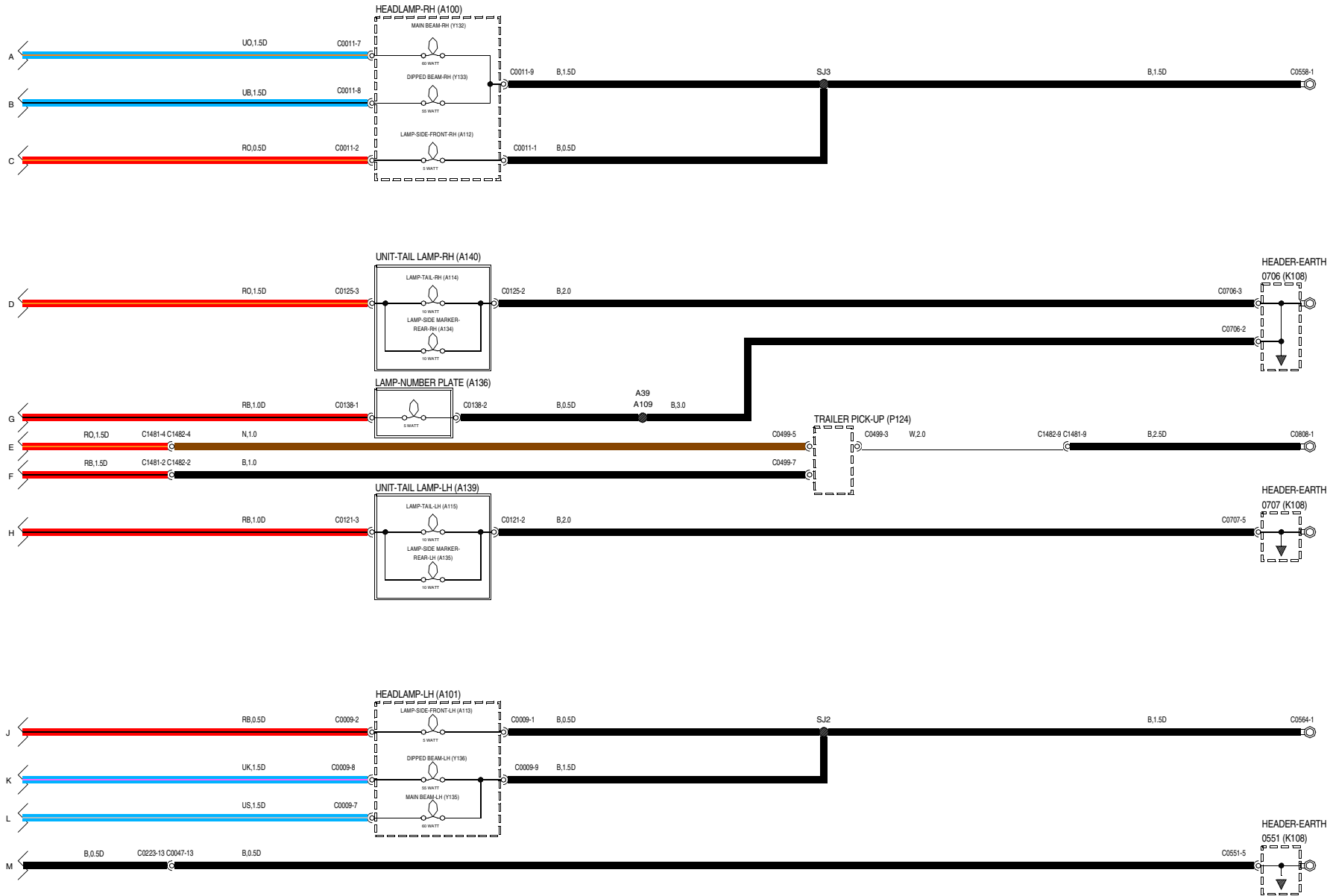
WIR102150-A-01



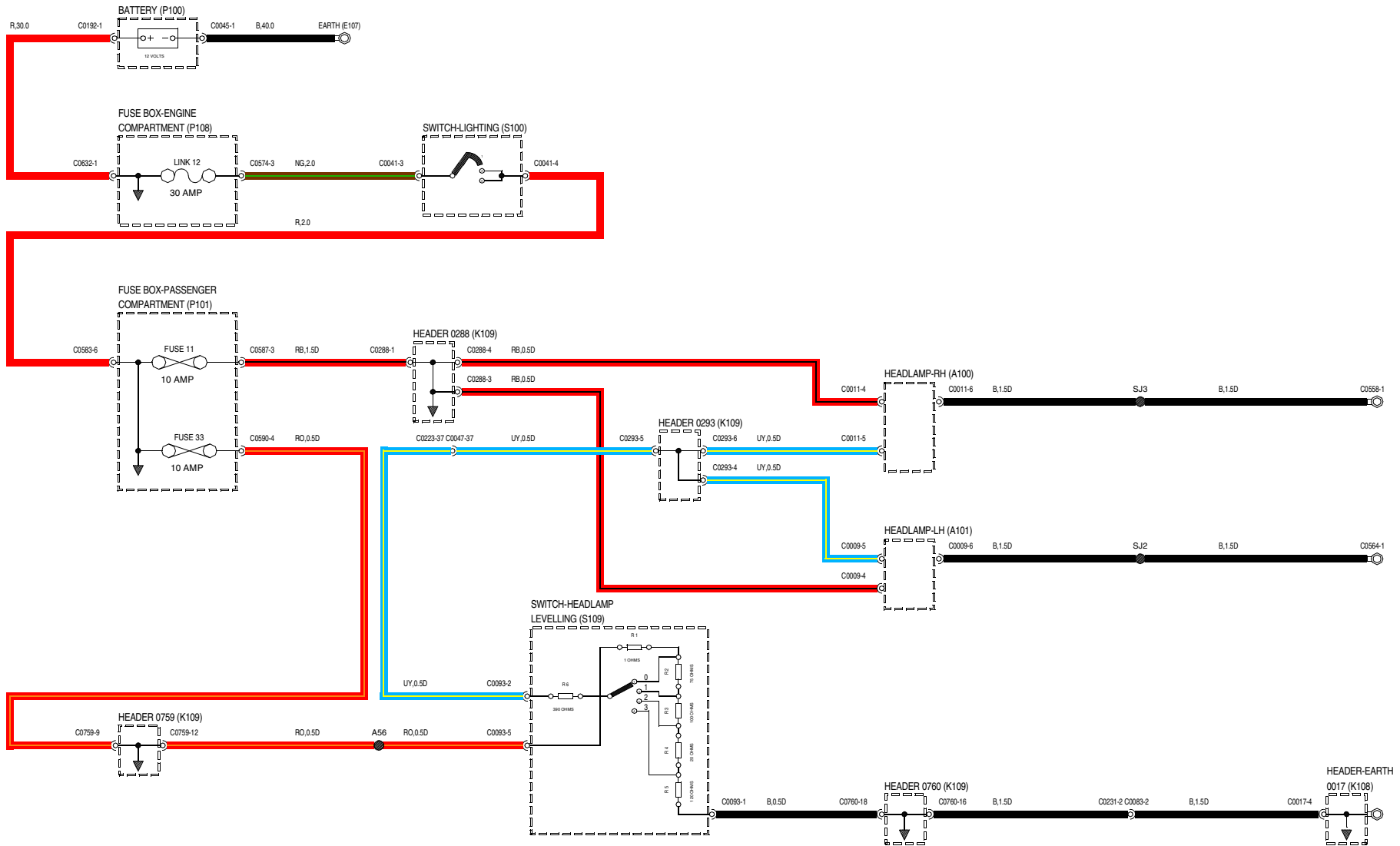
WIR104690-A-01



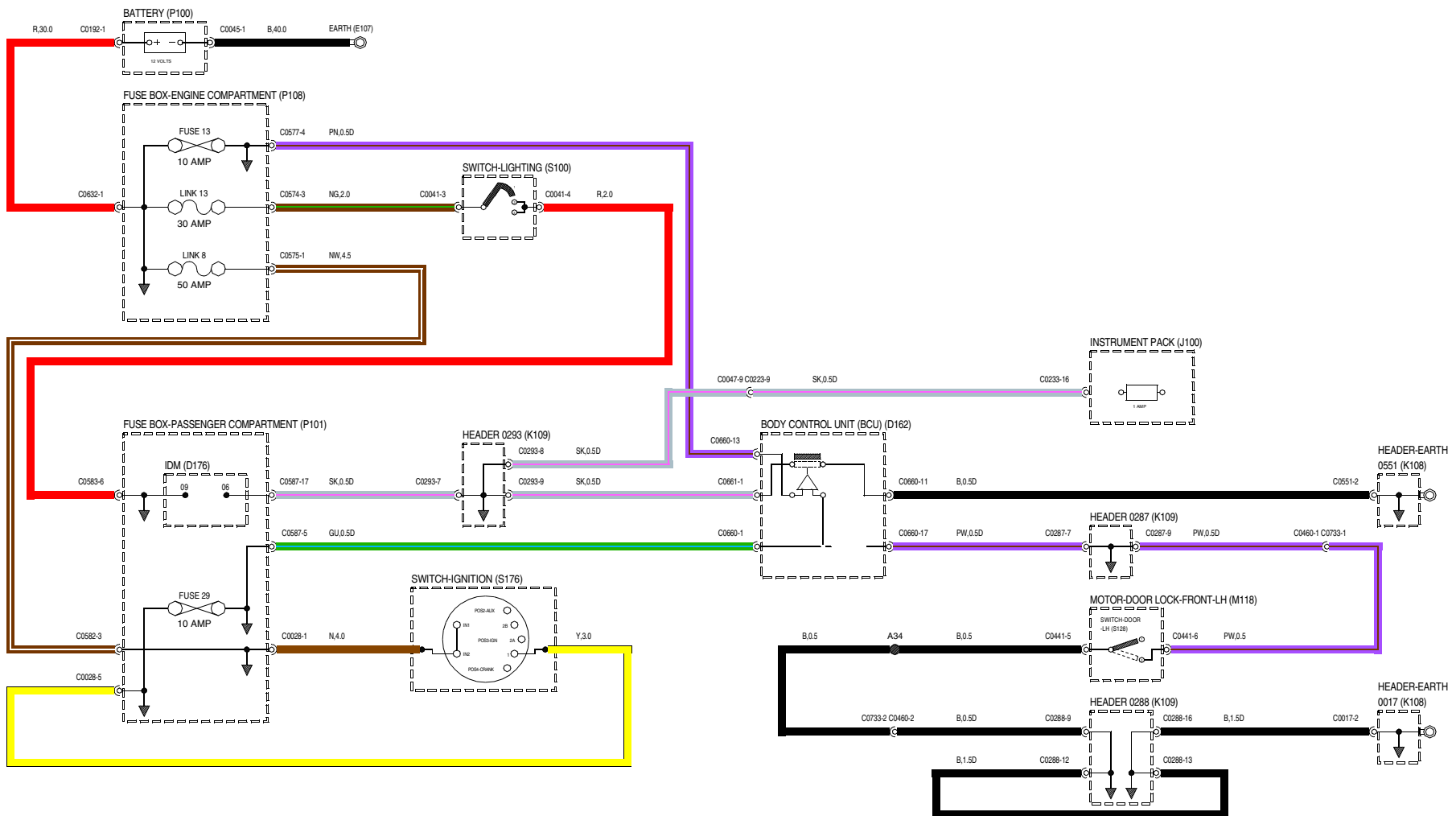
WIR105560-A-01



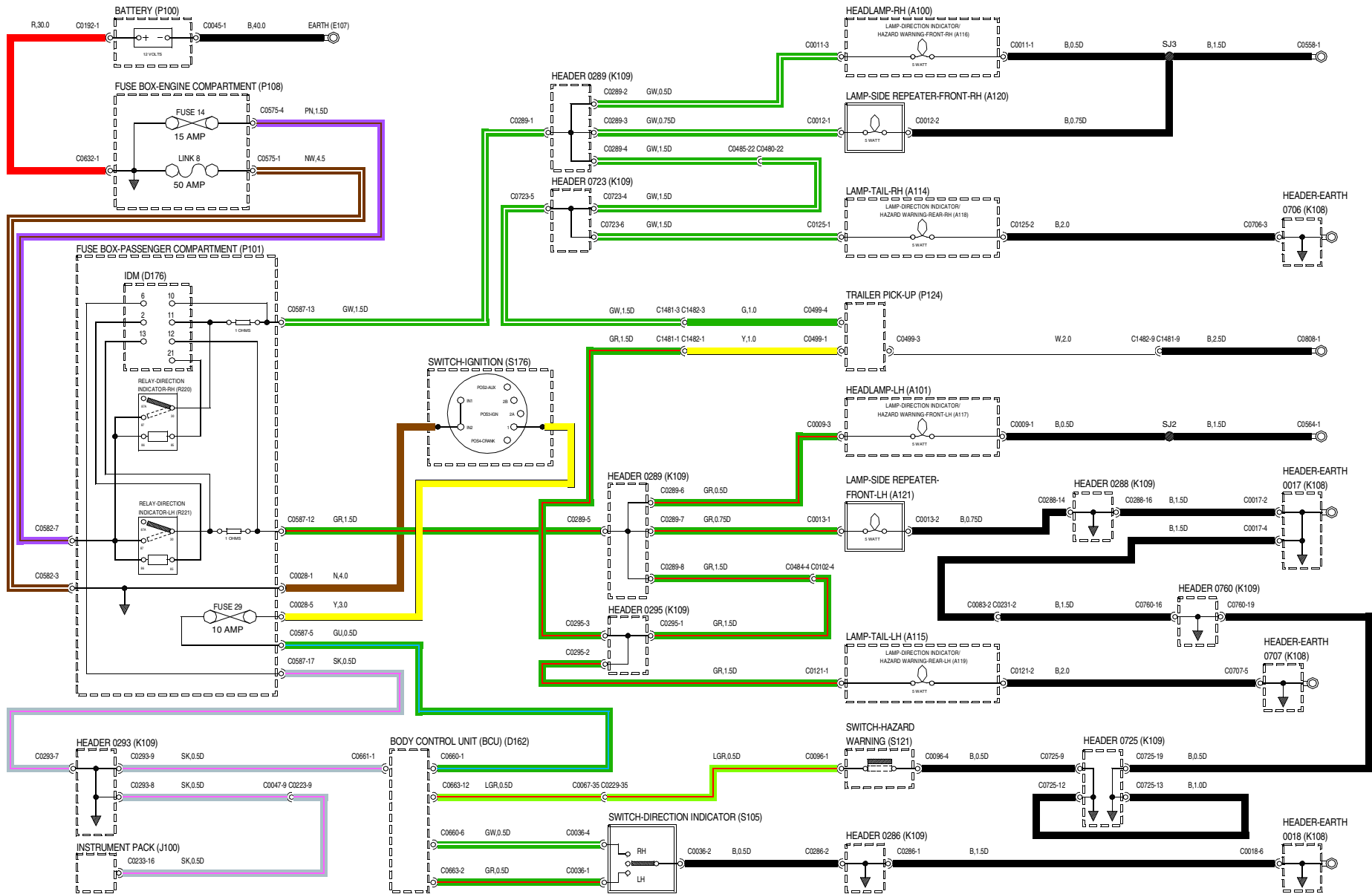
WVR102550-A-02



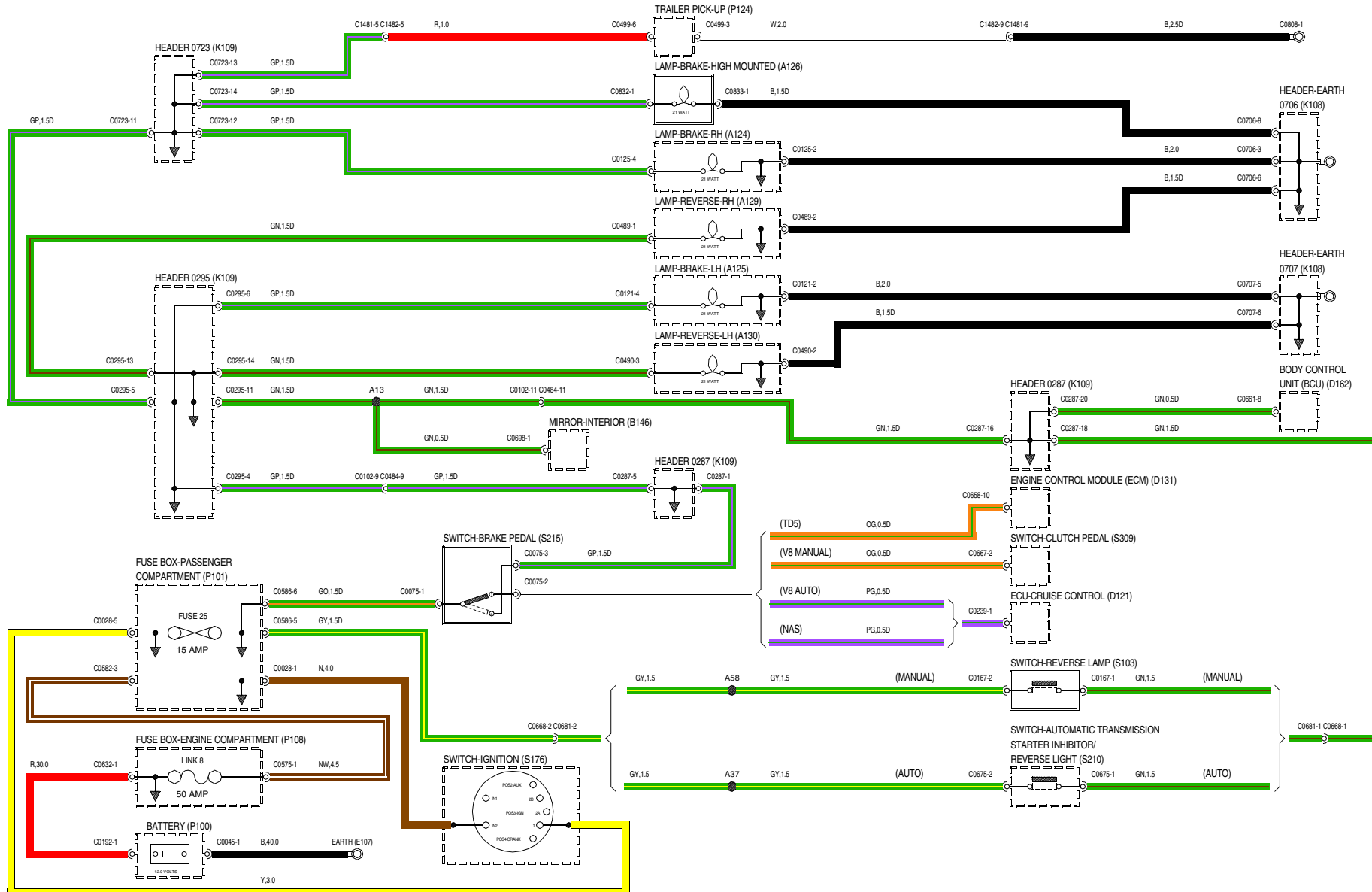
WVR105540-A-01



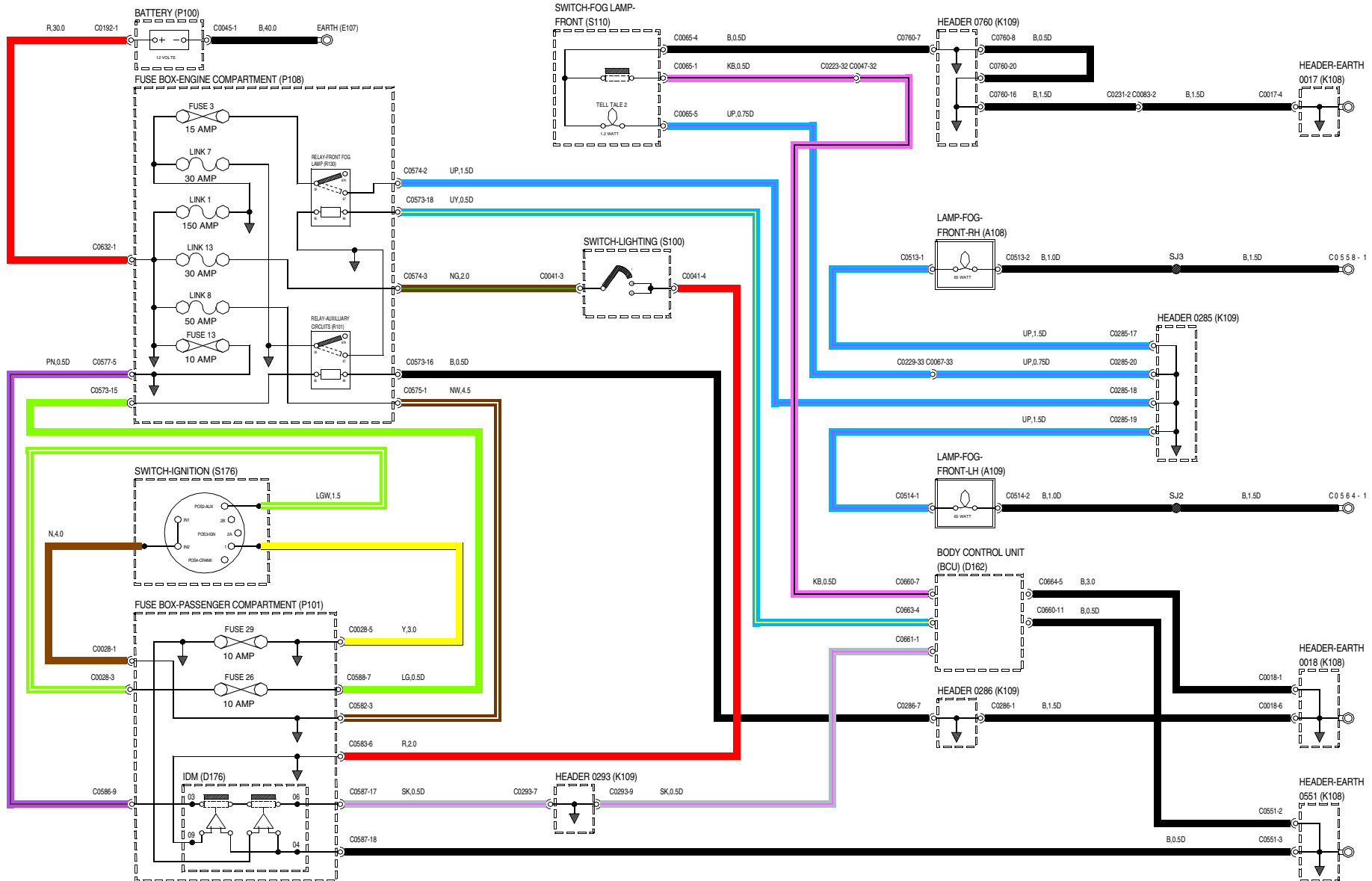
WVR105570-A-01



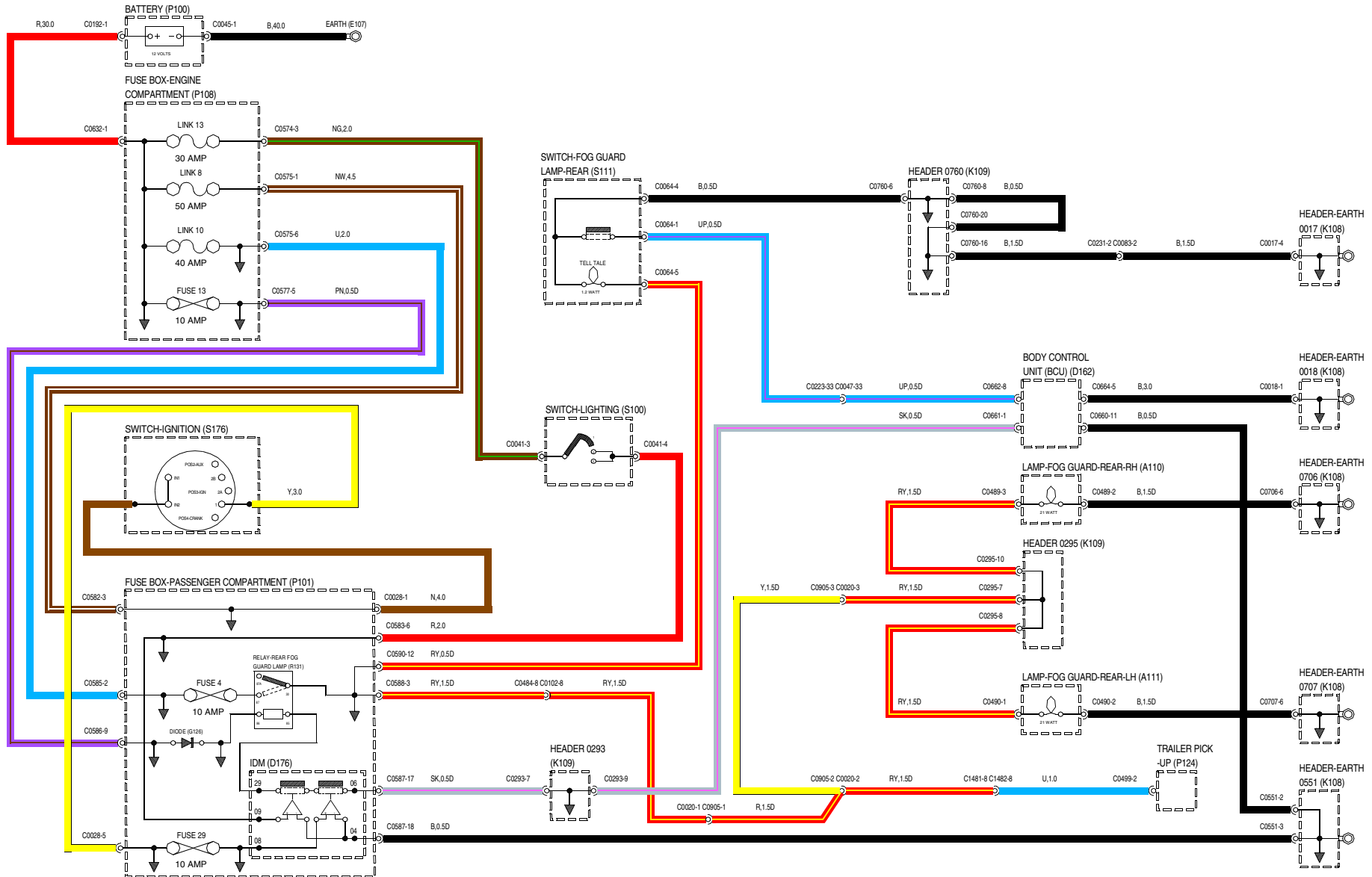
WVR102070-A-01



WIR101990-A-01

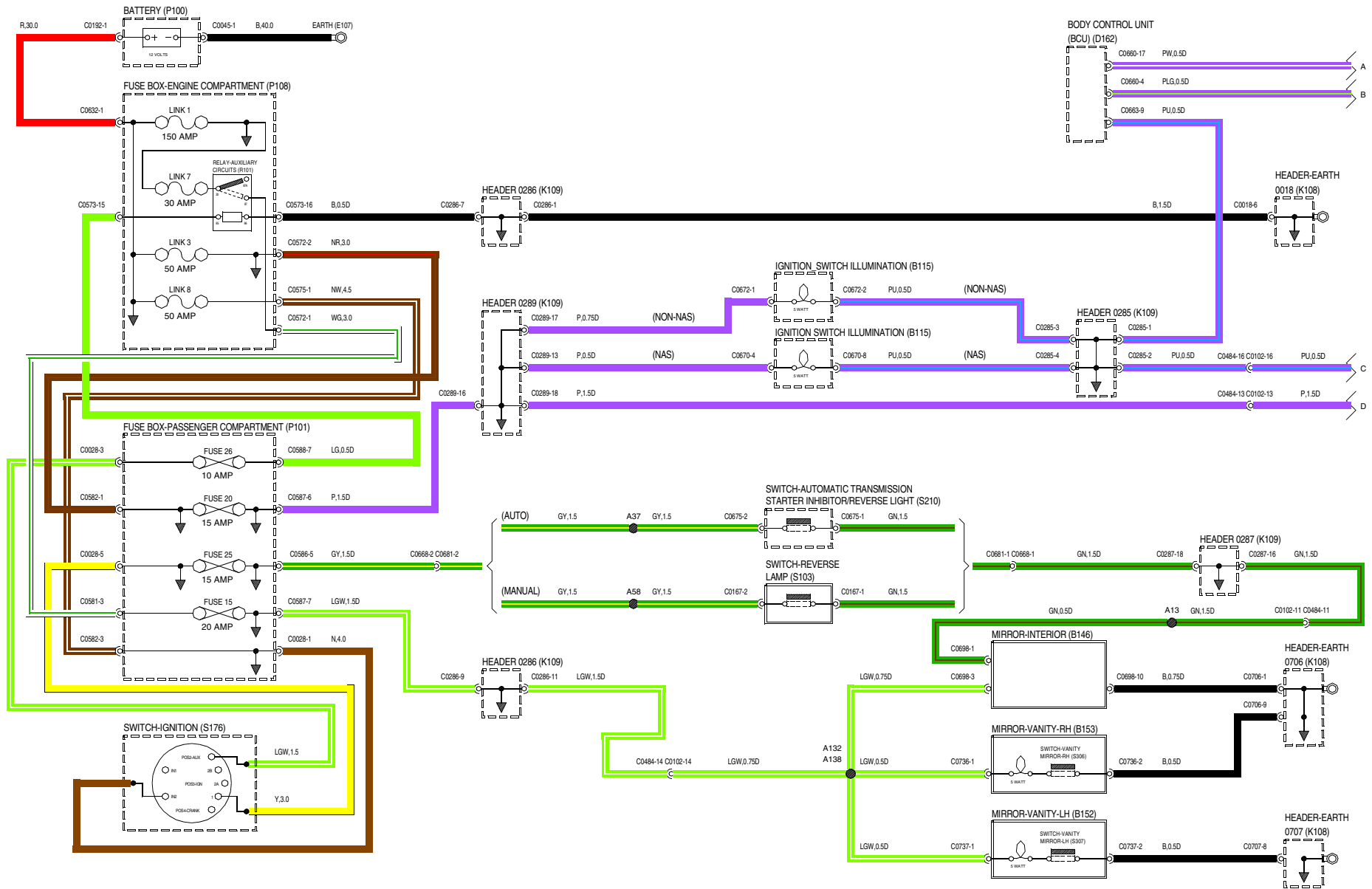


WVR105550-A-01



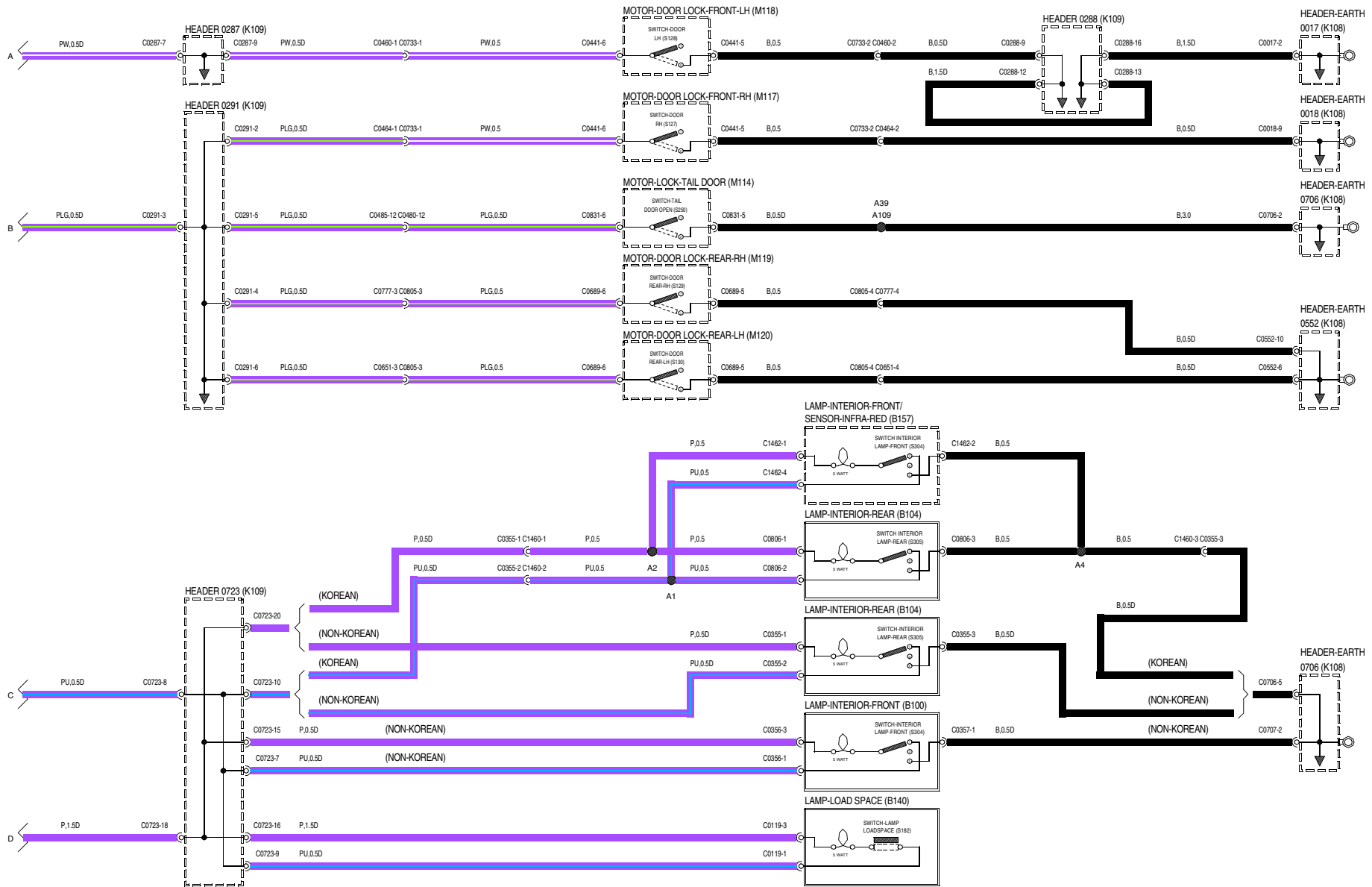
WVR105590-A-01

44 INTERIOR LAMPS



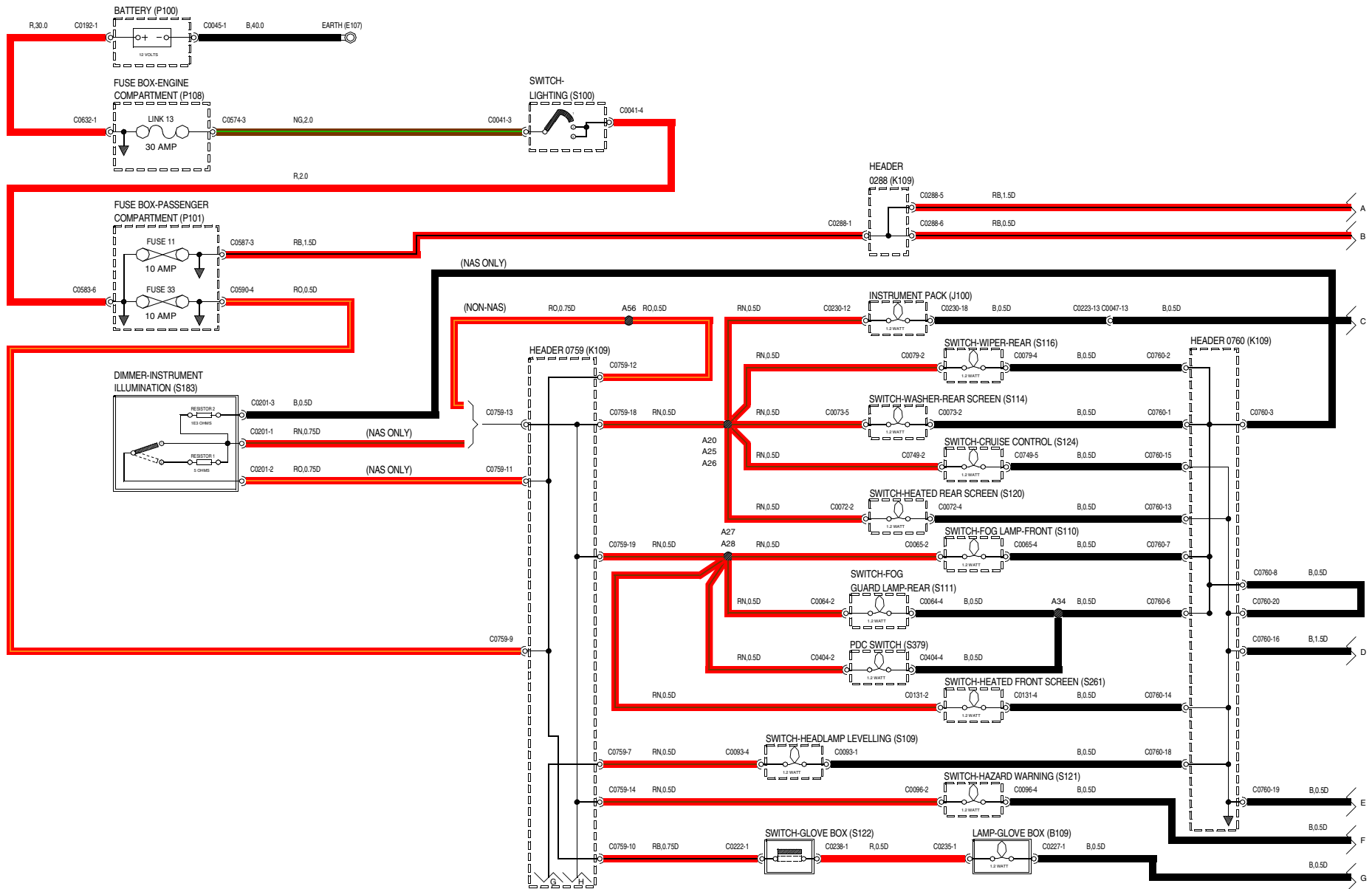
WVR105580-A-01

44 INTERIOR LAMPS

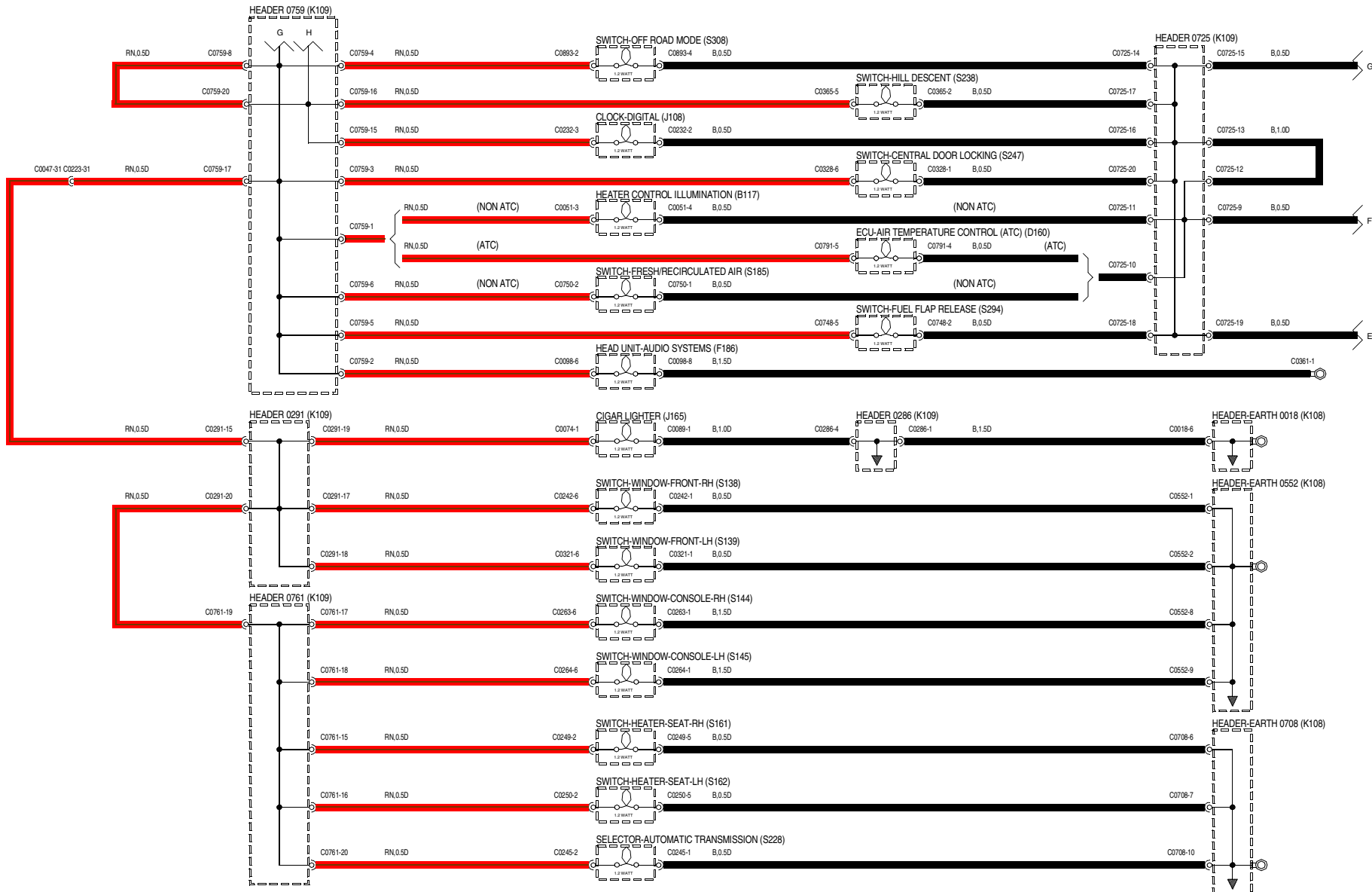


WVR105580-A-02

46 INTERIOR ILLUMINATION

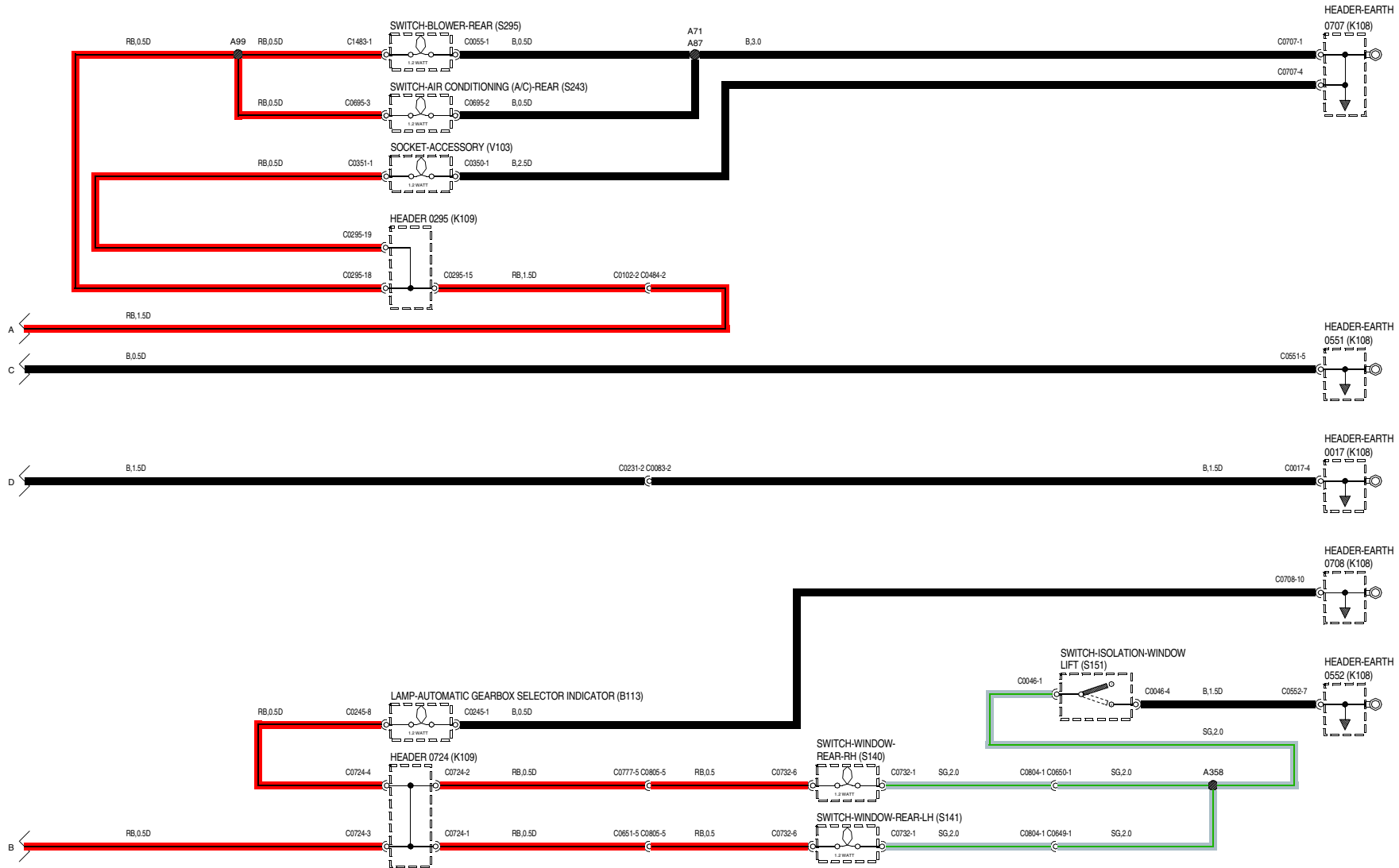


WVR102080-A-01



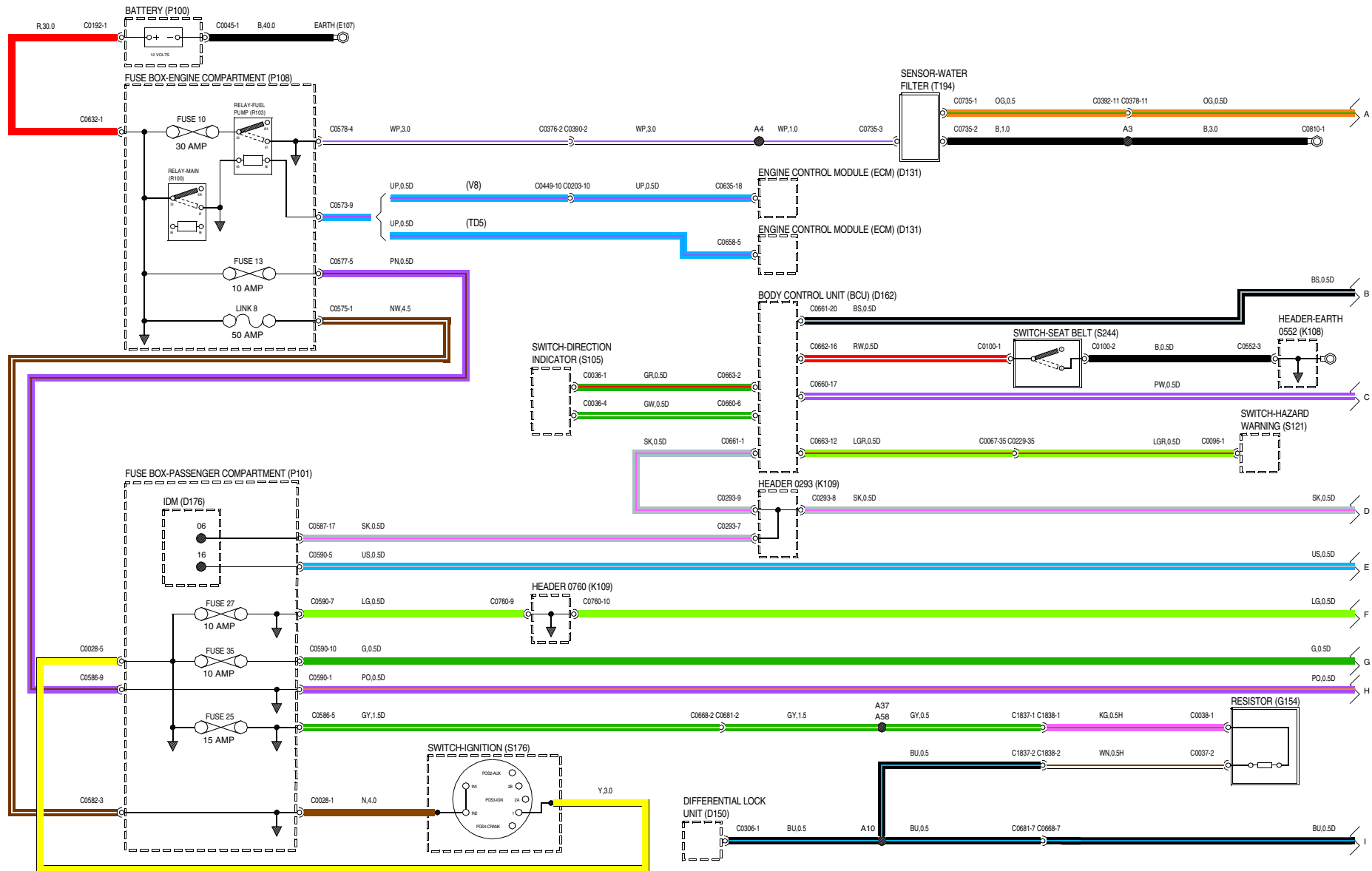
WVR102080-A-02

46 INTERIOR ILLUMINATION



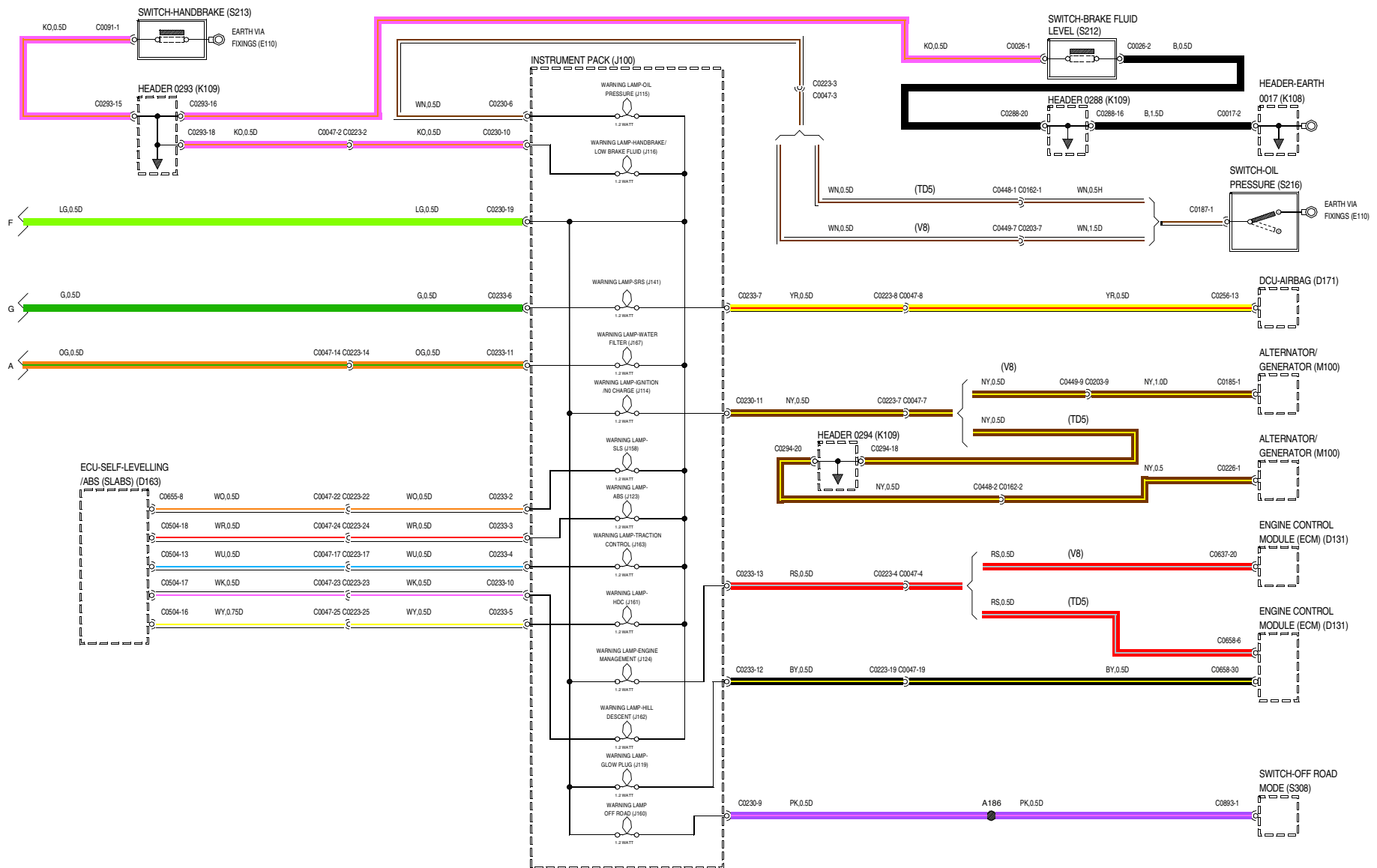
WWR102080-A-03

47 INSTRUMENTS



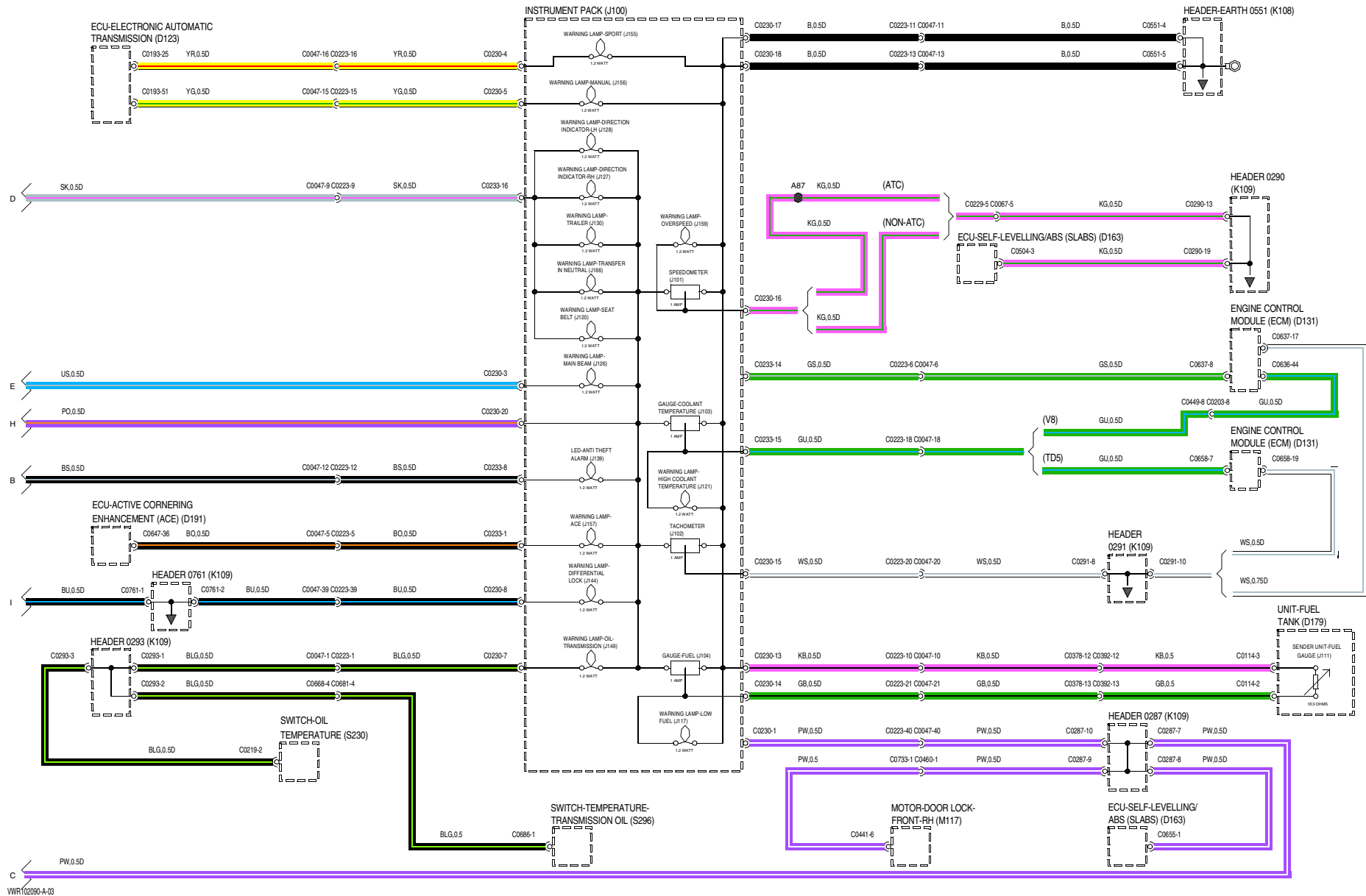
WVR102090-A-01

47 INSTRUMENTS



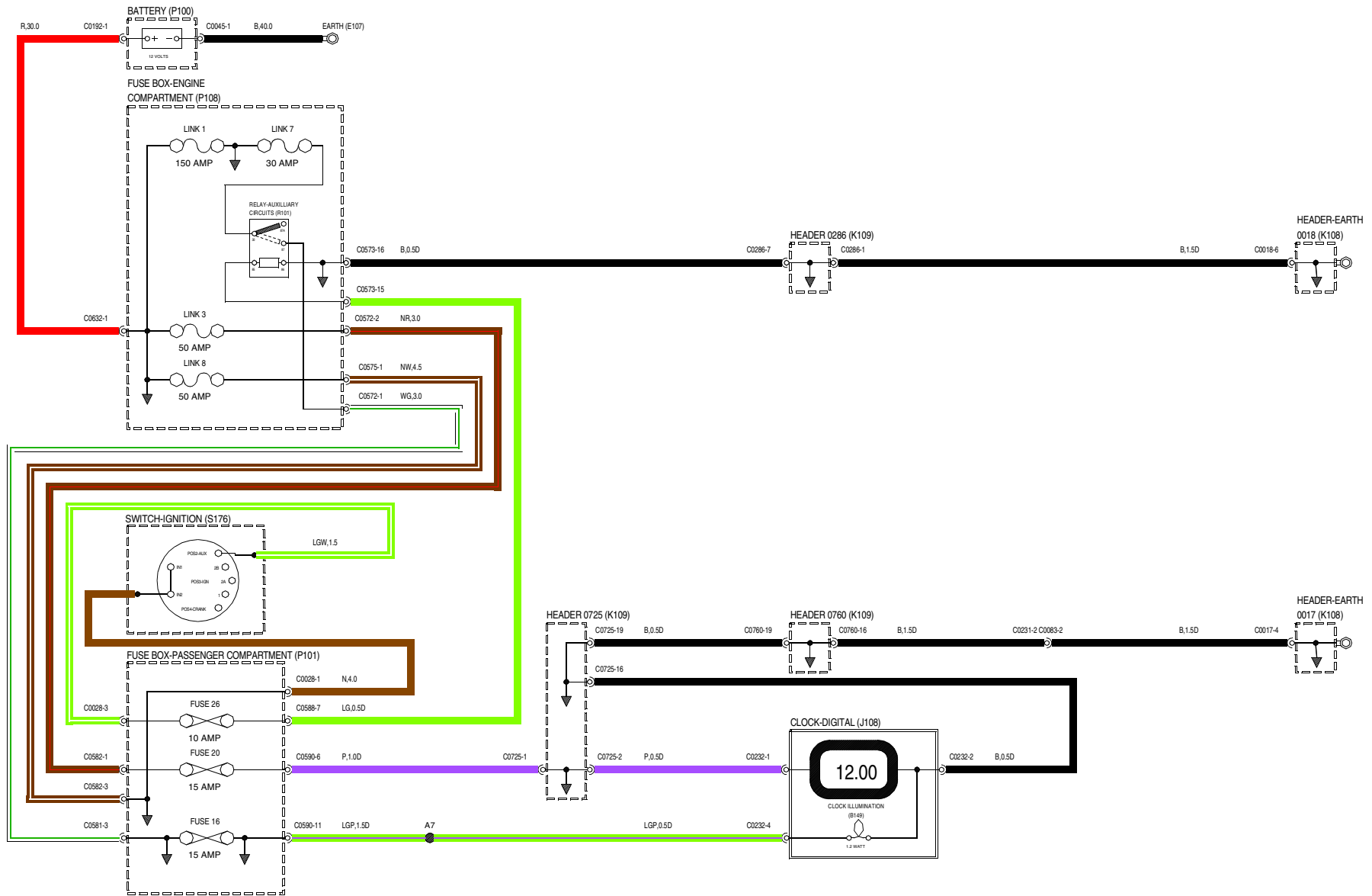
WVR102090-A-02

47 INSTRUMENTS



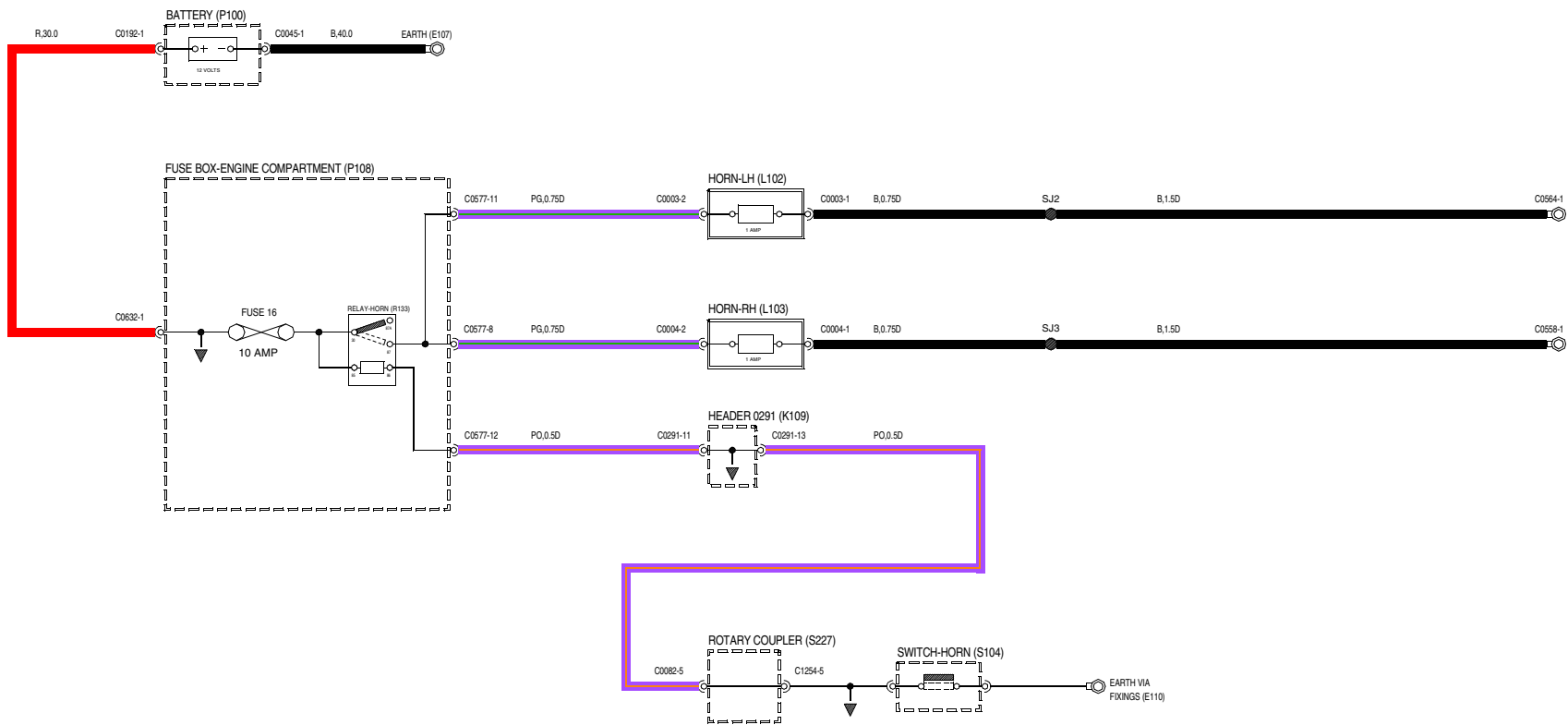
WVR102090-A-03

48 CLOCK

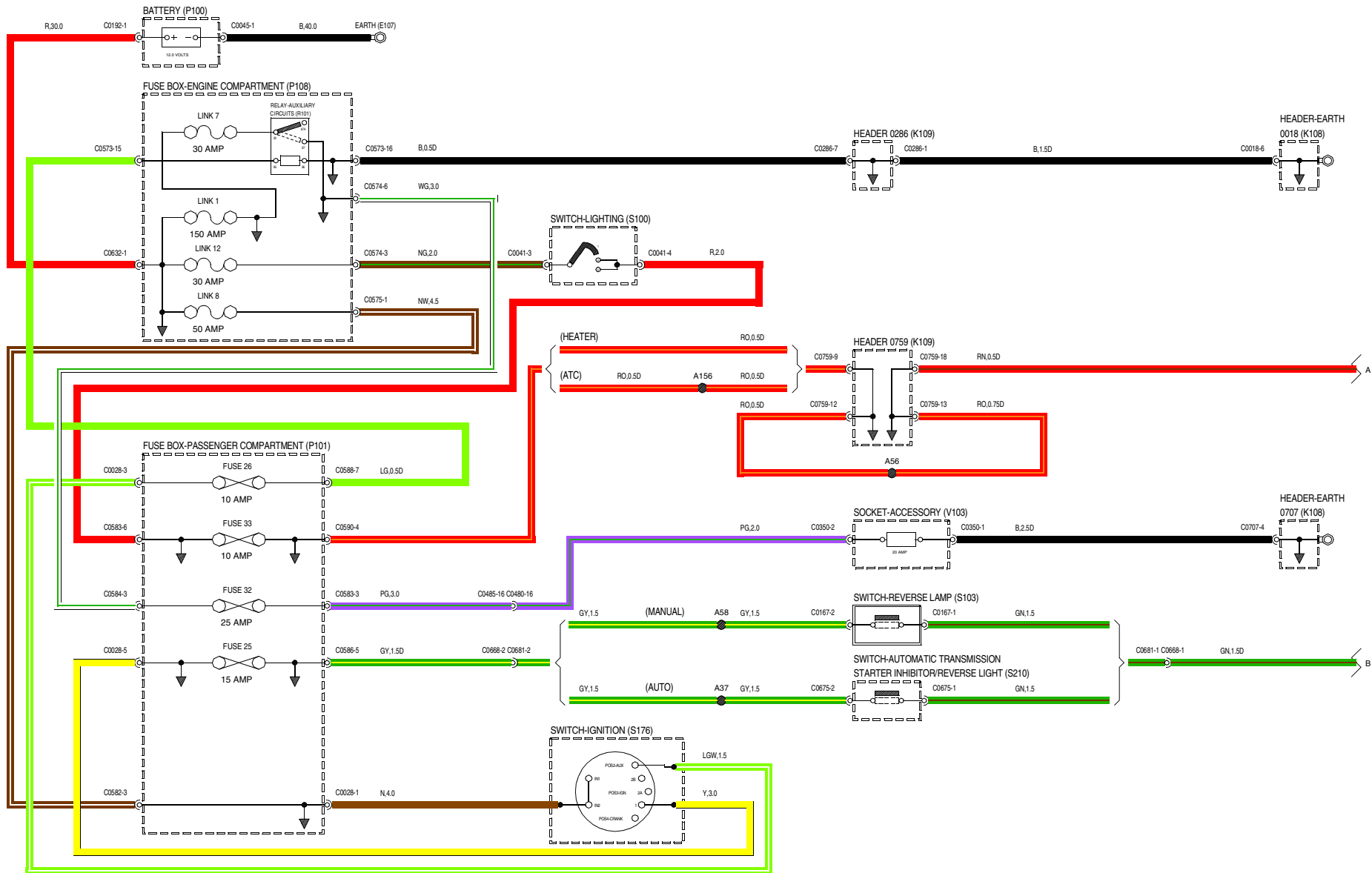


WVR102020-A-01

48 HORN (S)



49 ACCESSORY SOCKET



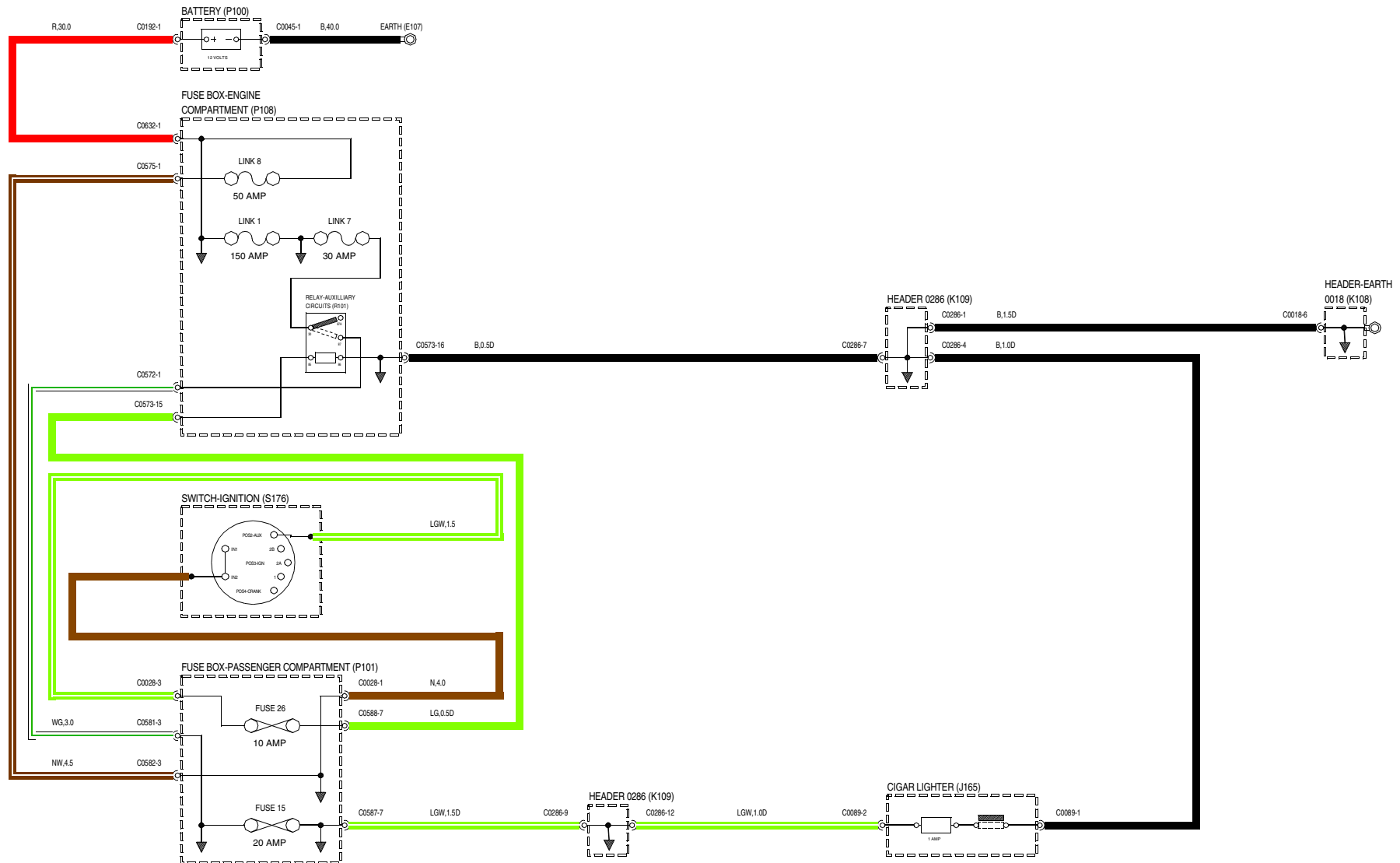
WIR102210-A-01

49 ACCESSORY SOCKET

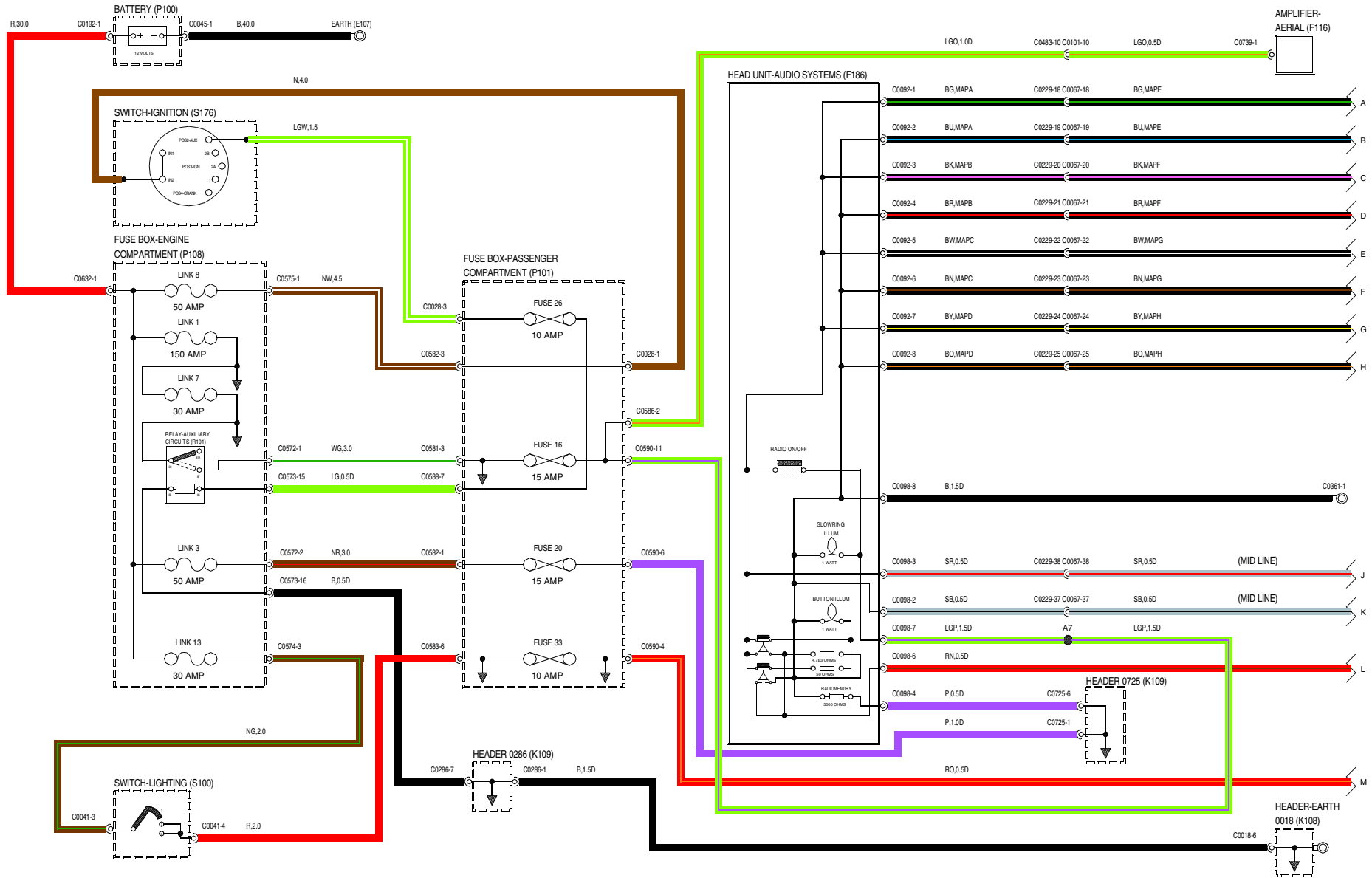


WVR102210-A-02

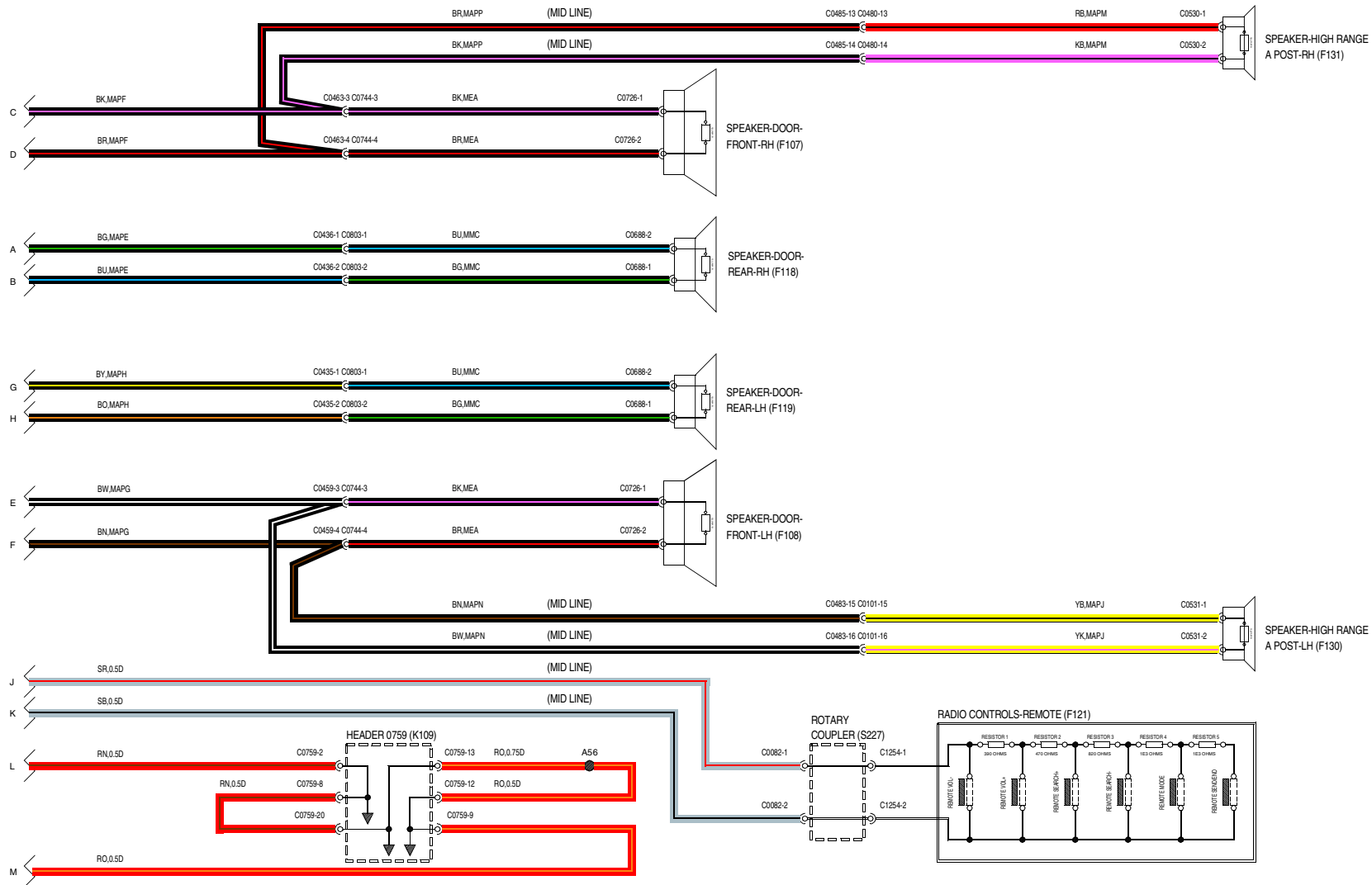
49 CIGAR LIGHTER



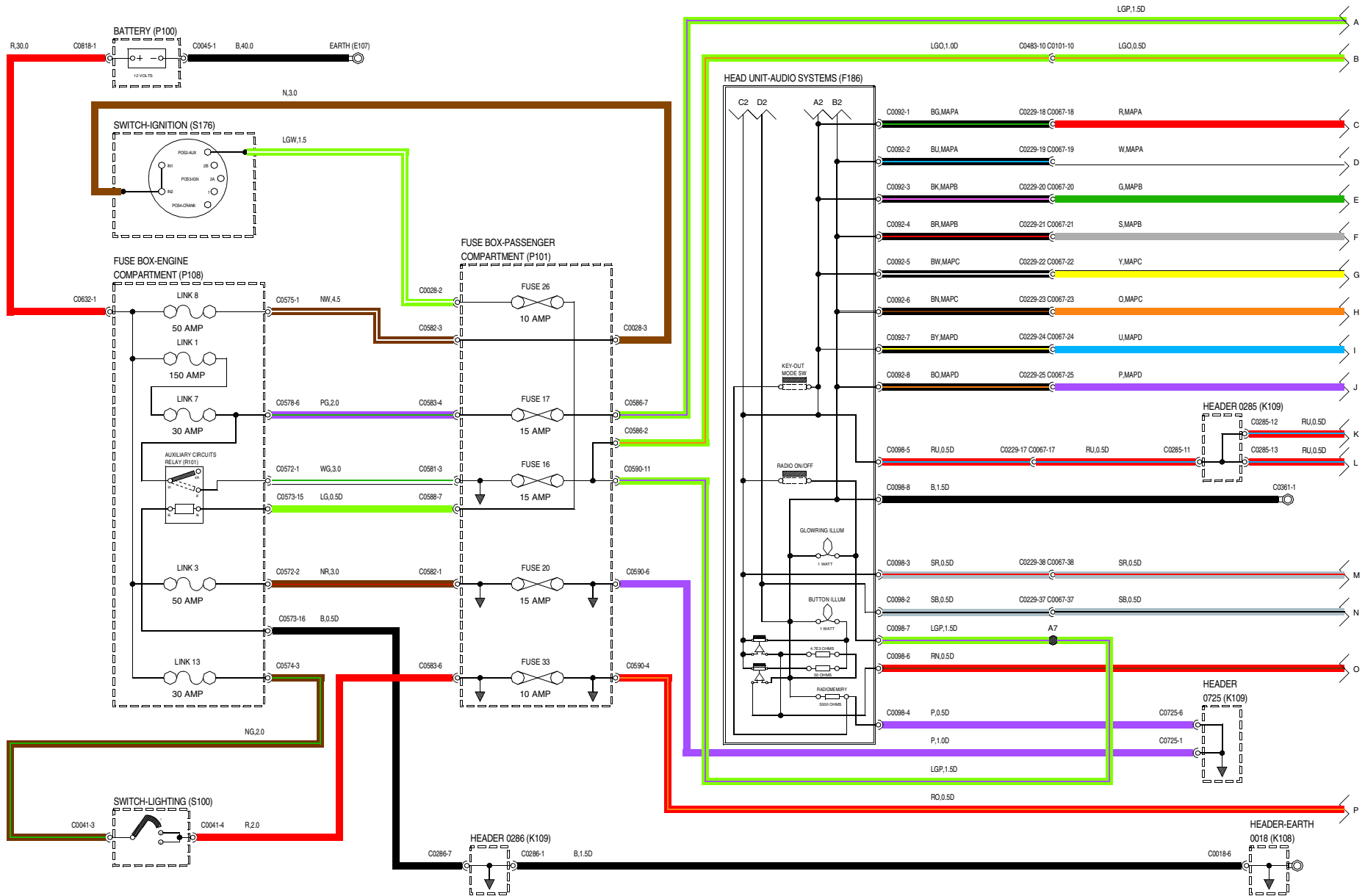
WR102010-A-01



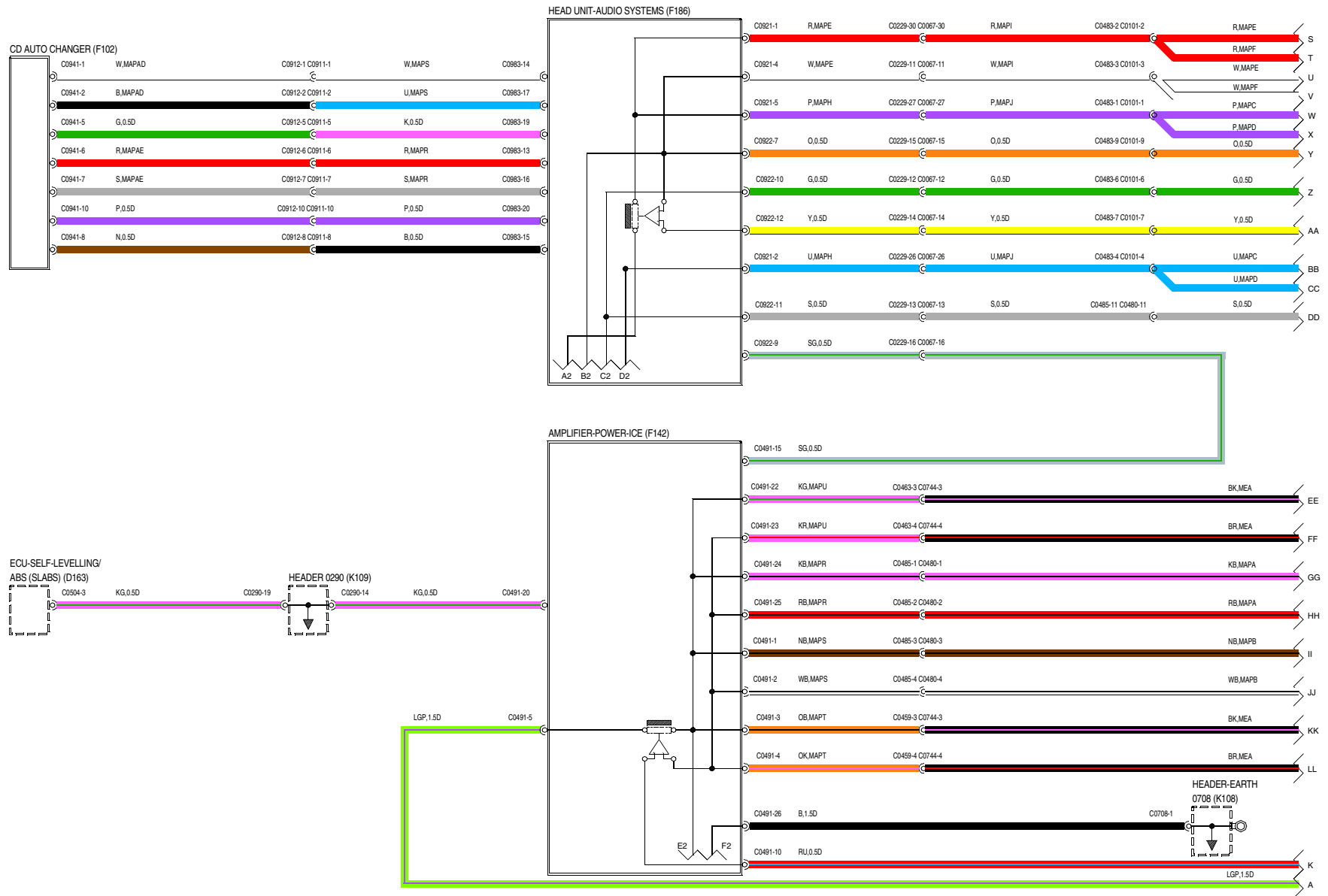
WVR102060-A-01



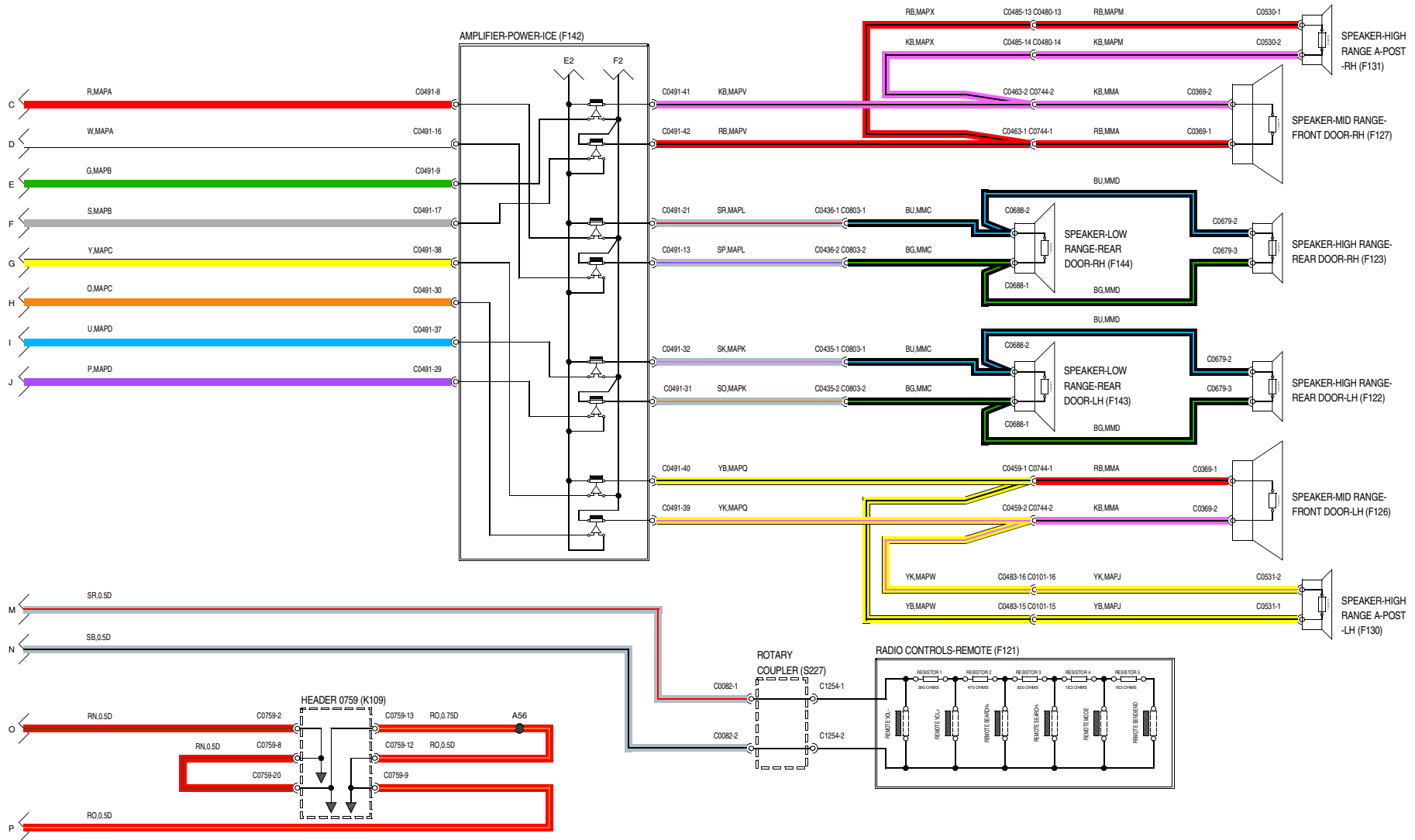
WVR102060-A-02



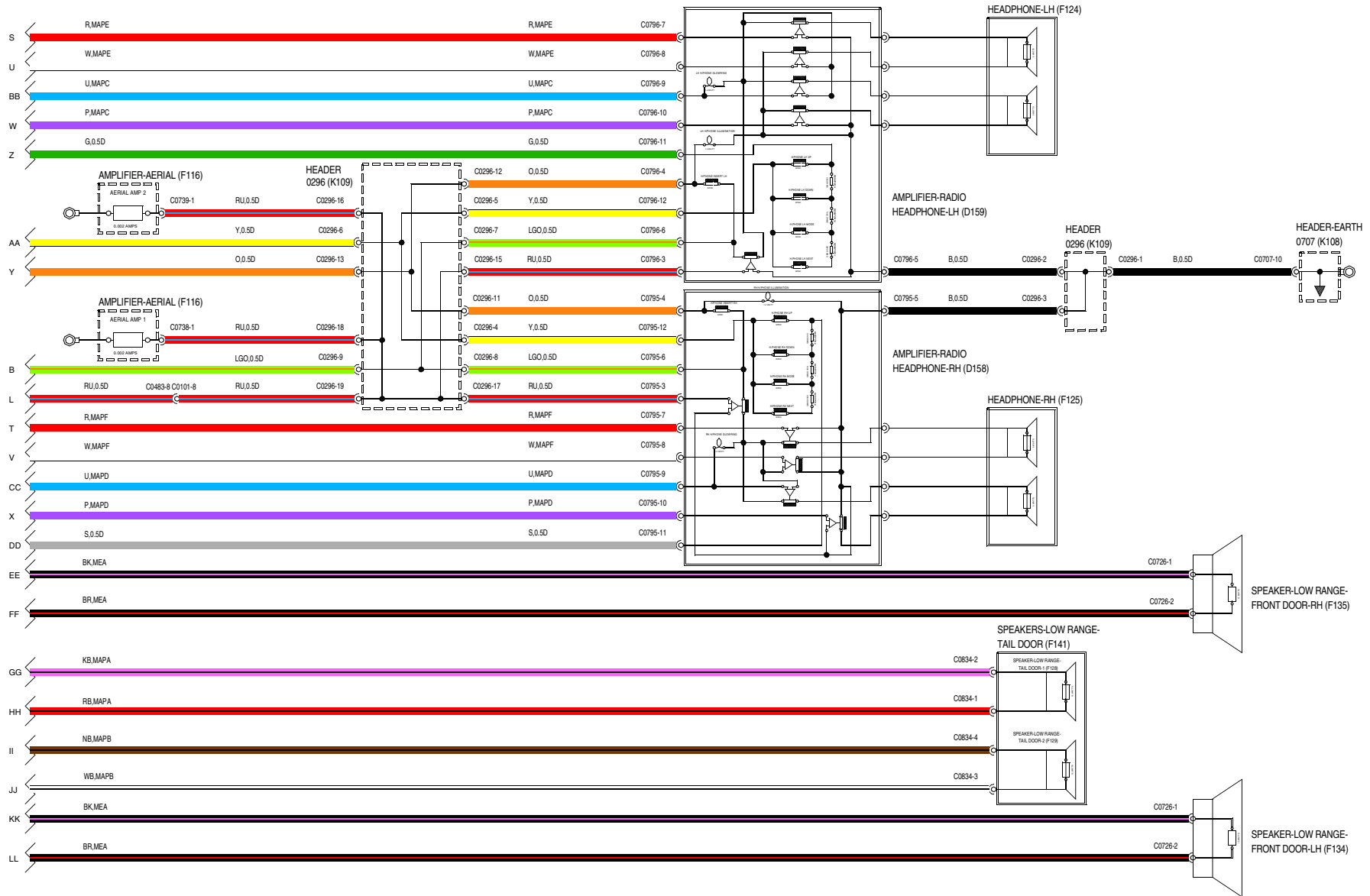
WR108430-A-01



WR108430-A-02

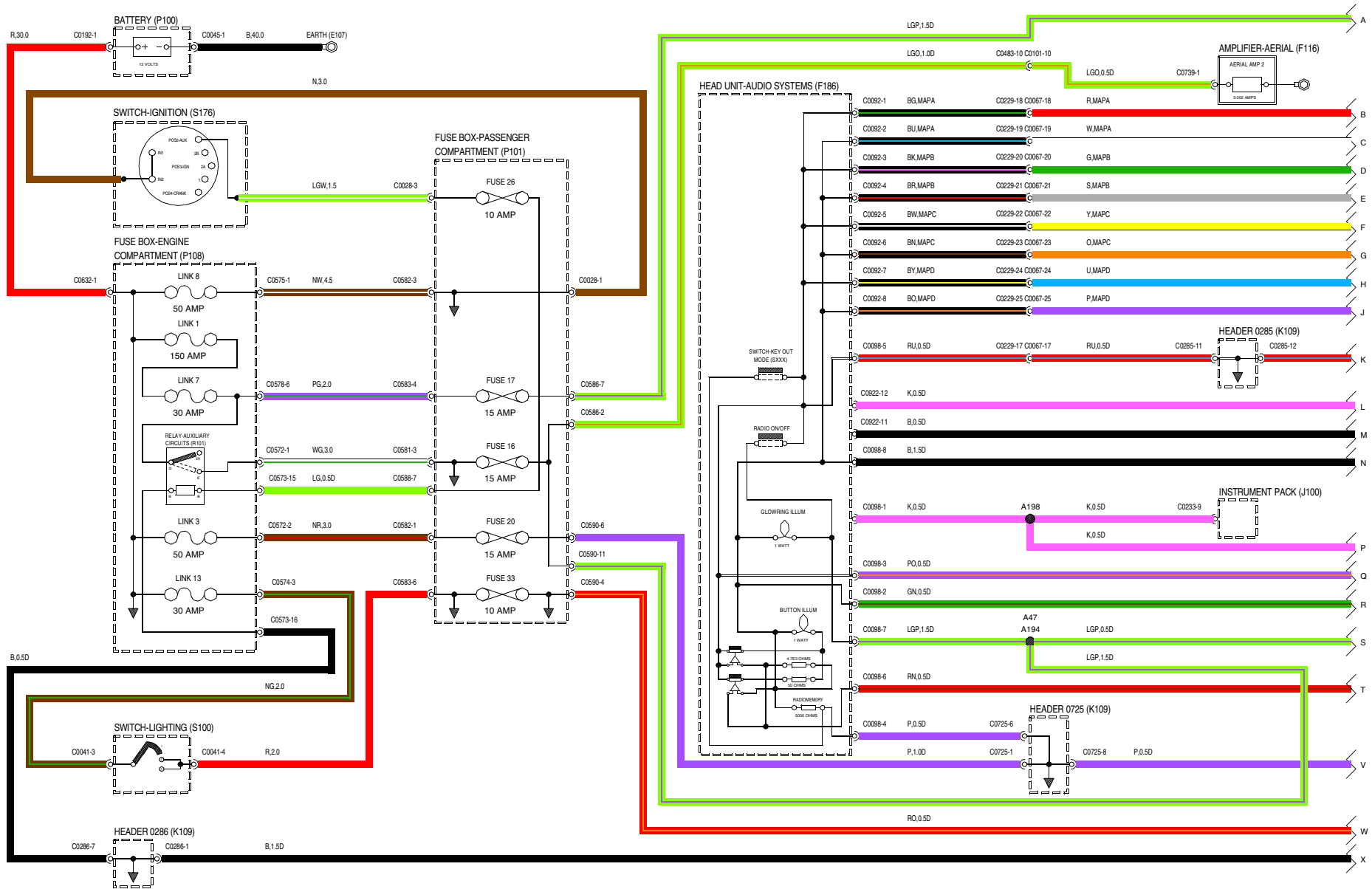


WR108430-A-03

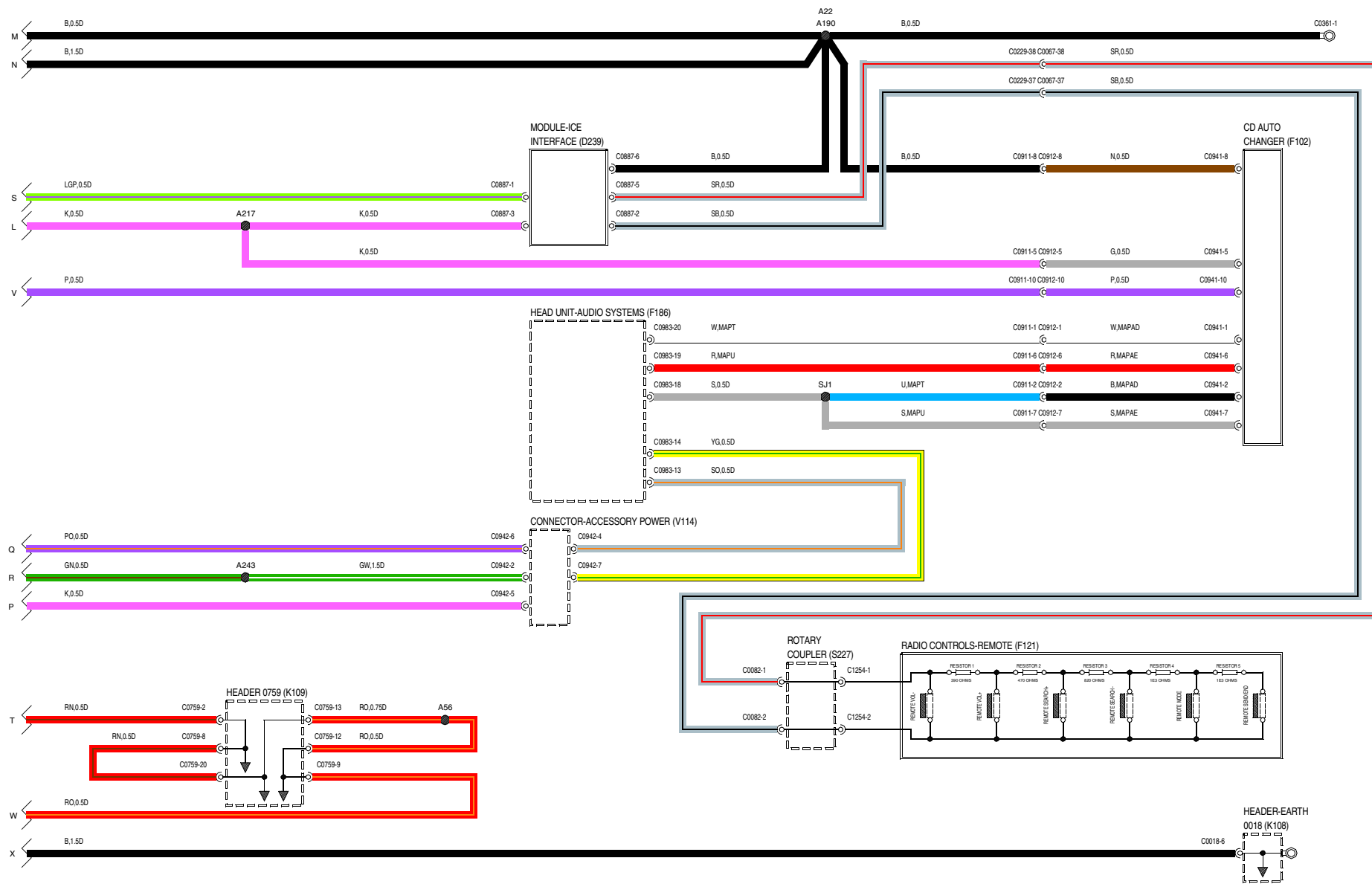


WVR108430-A-04

55 NAVIGATION SYSTEMS

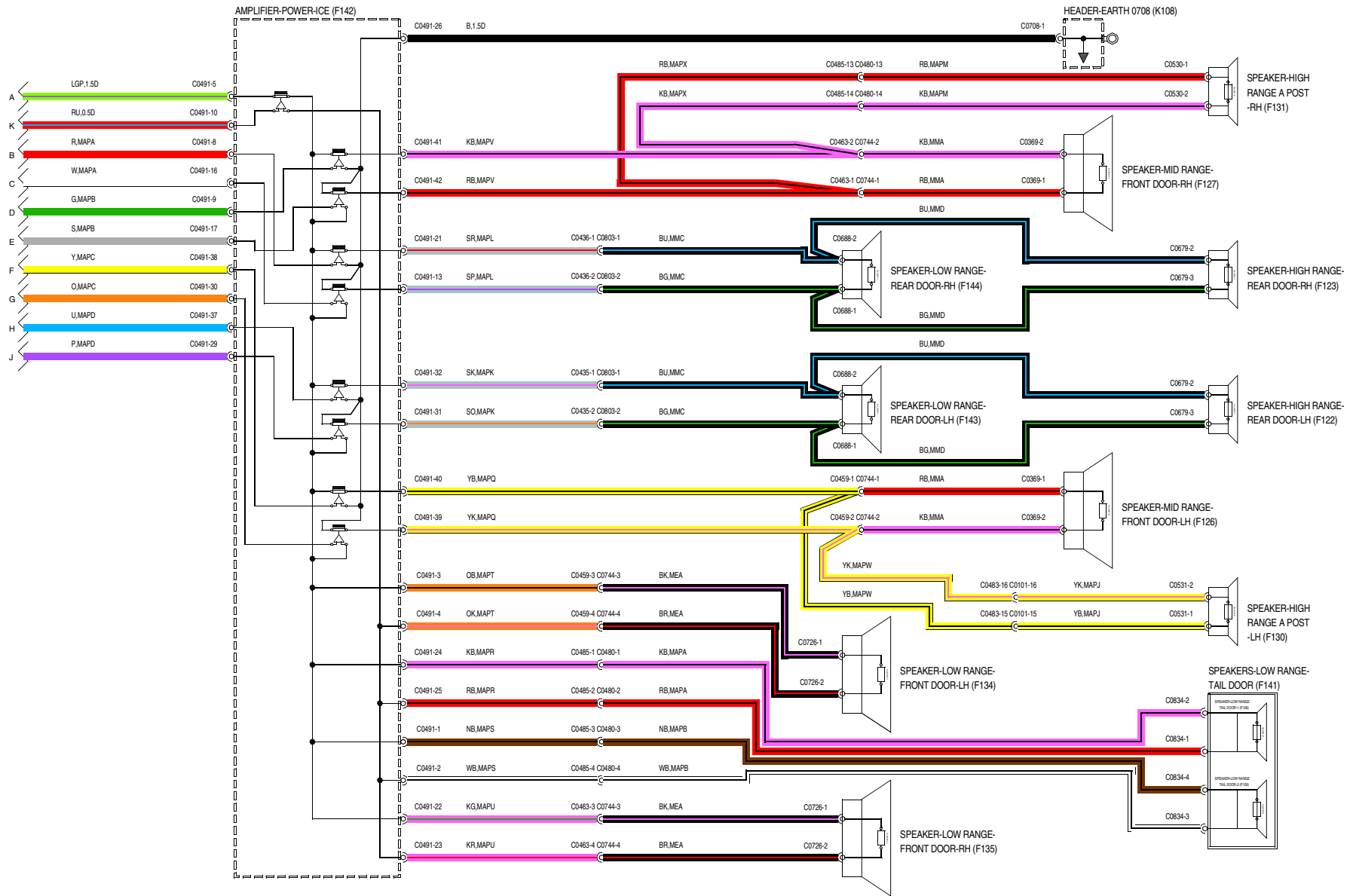


WWR007330-A-01



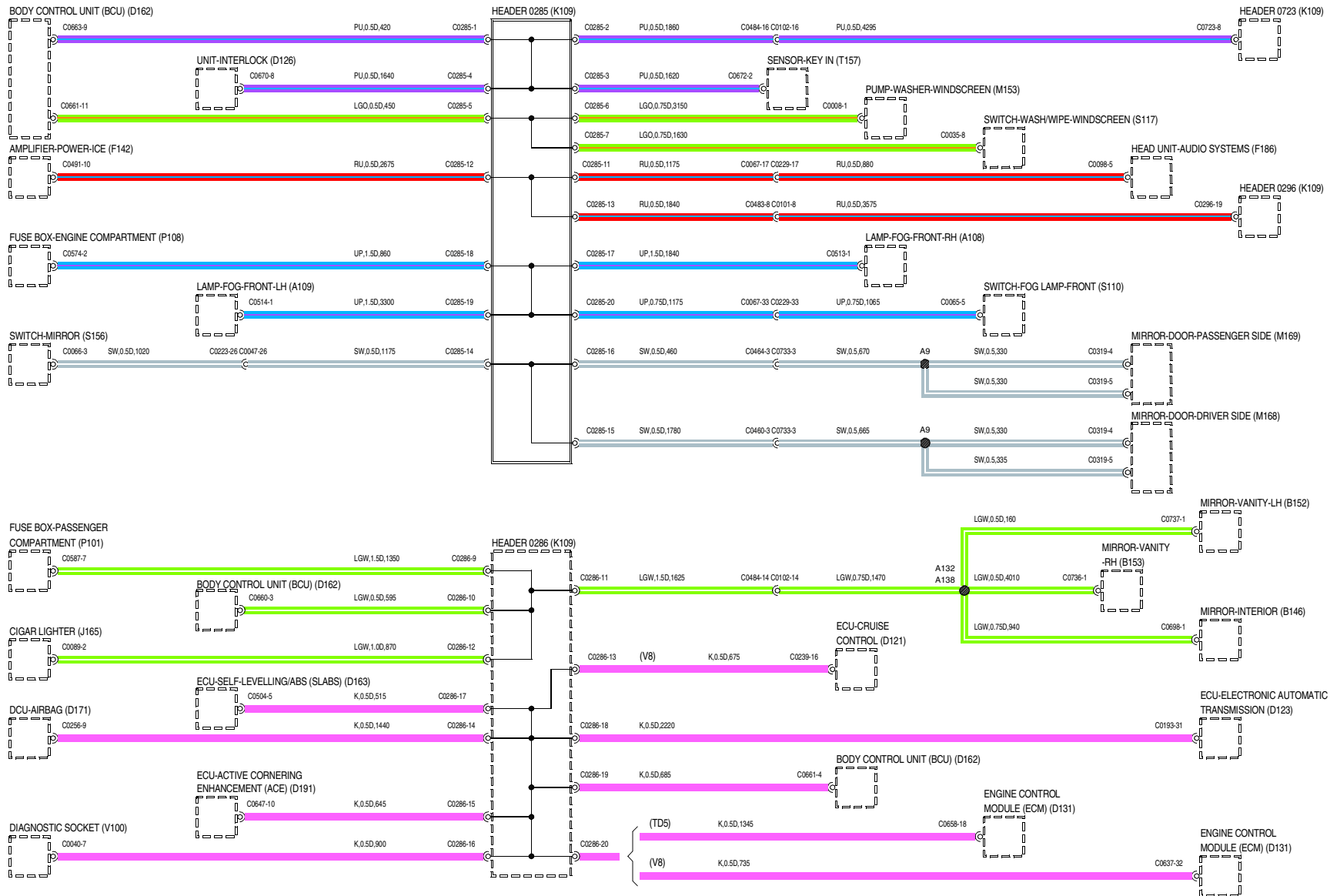
WWR007330-A-02

55 NAVIGATION SYSTEMS



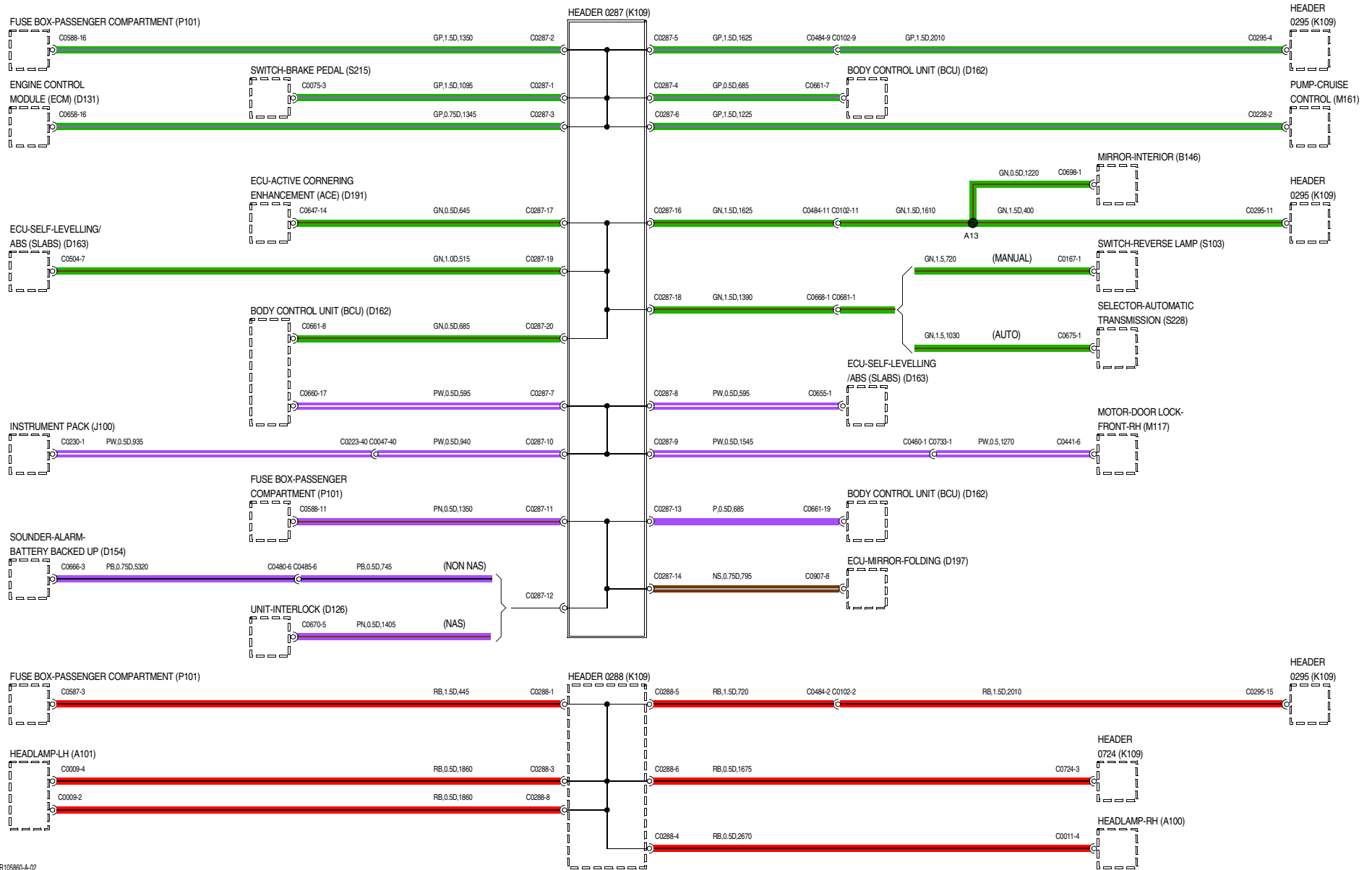
WV007330-A-03

60 HEADER JOINTS



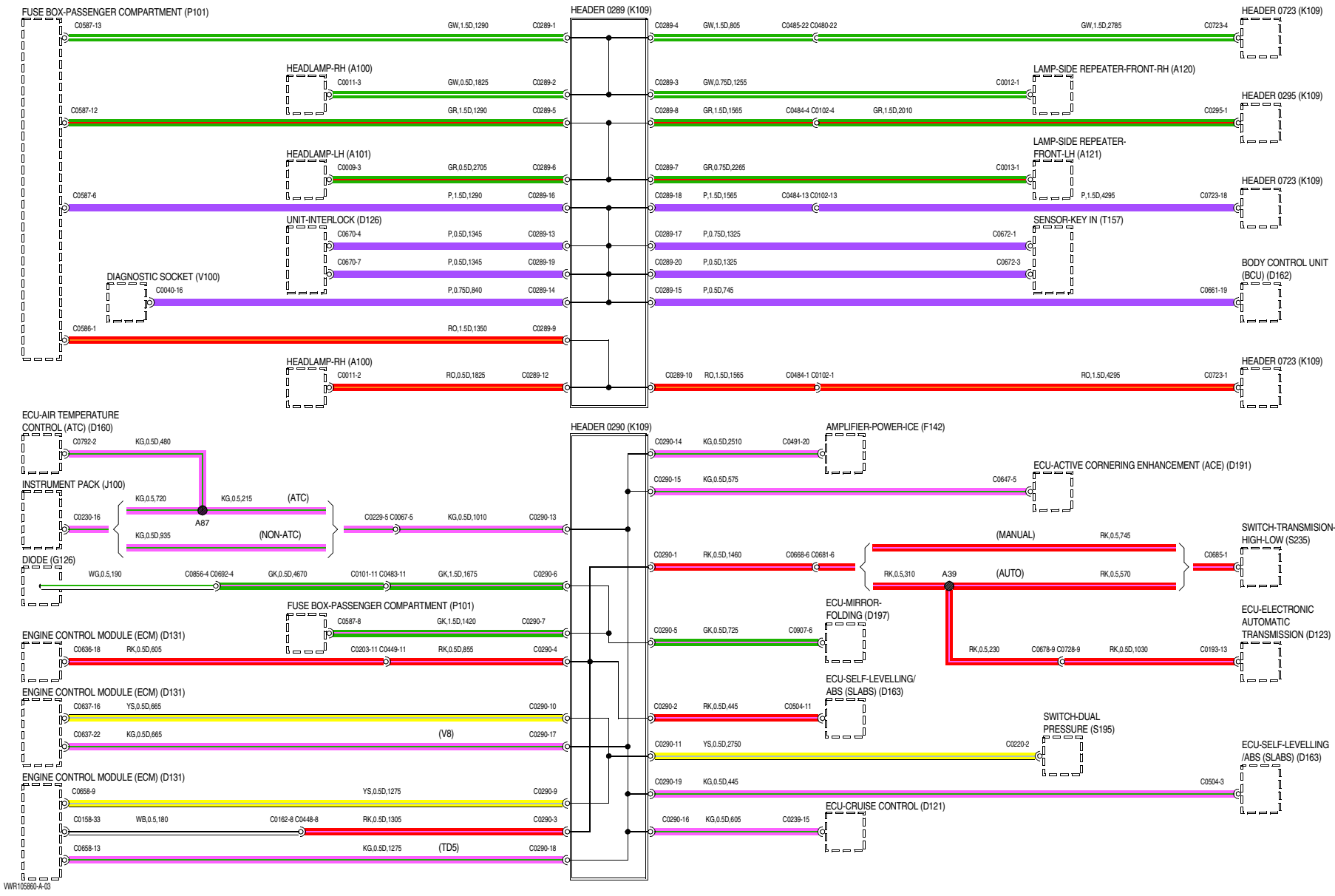
WIR105860-A-01

60 HEADER JOINTS



WR105860-A-02

60 HEADER JOINTS

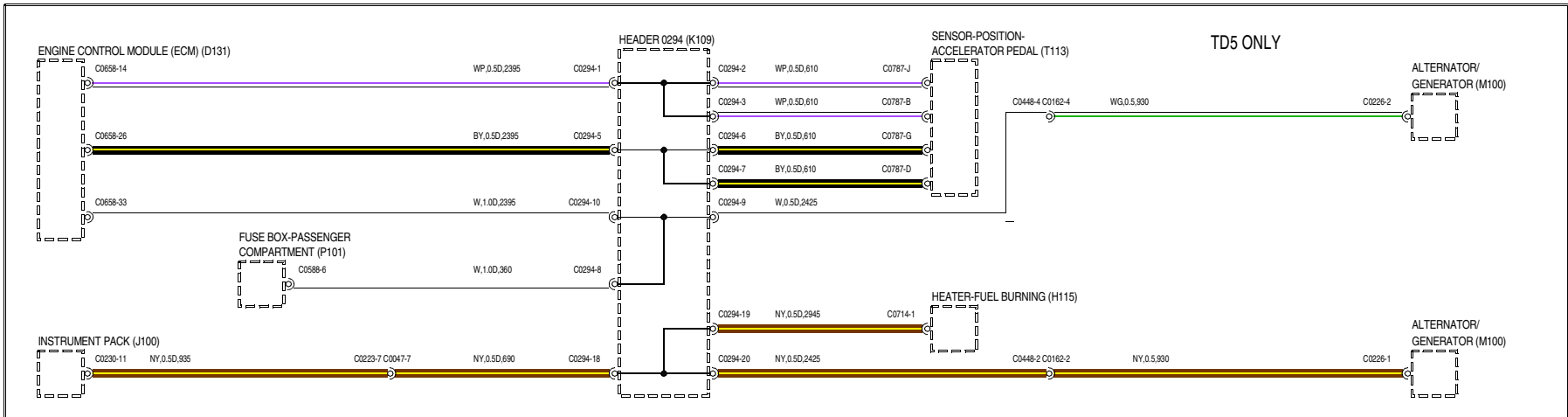
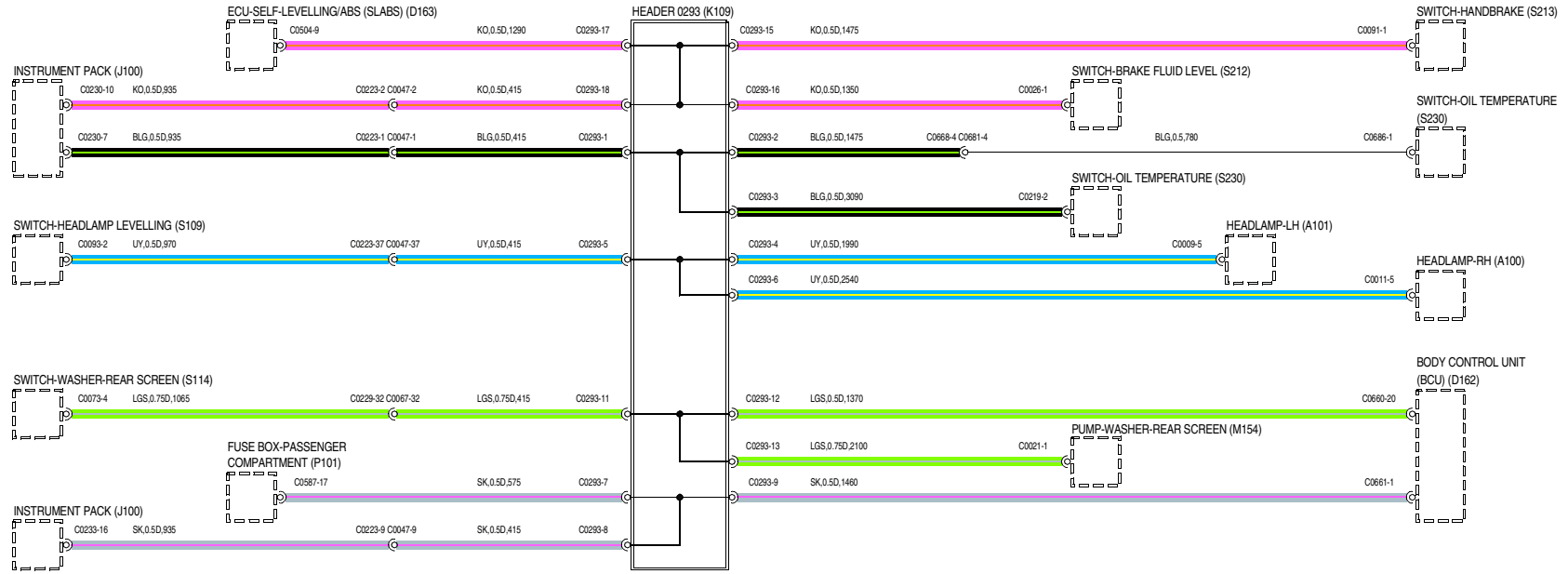


WVR105860-A-03

60 HEADER JOINTS



60 HEADER JOINTS

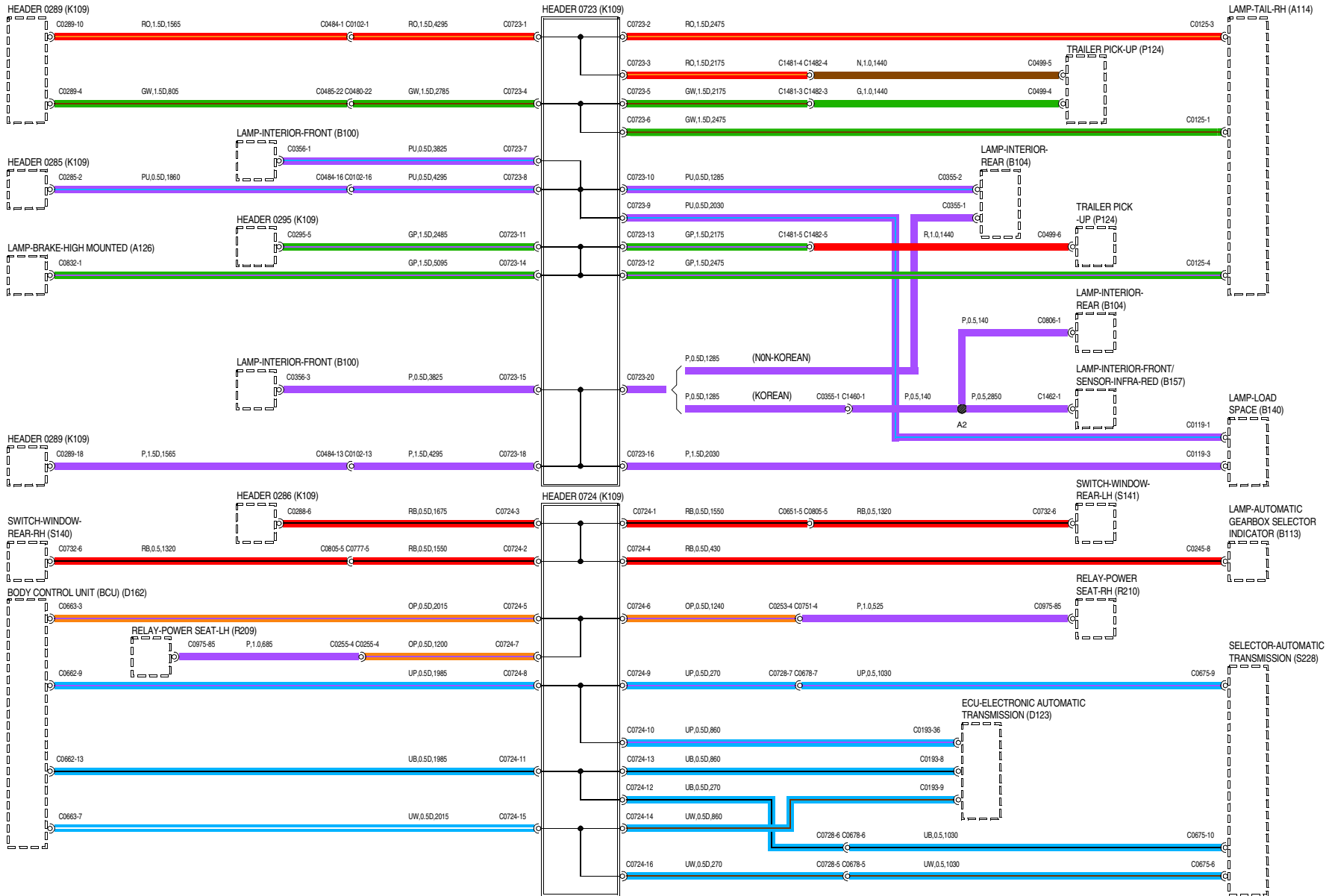


WVR105860-A-05

60 HEADER JOINTS

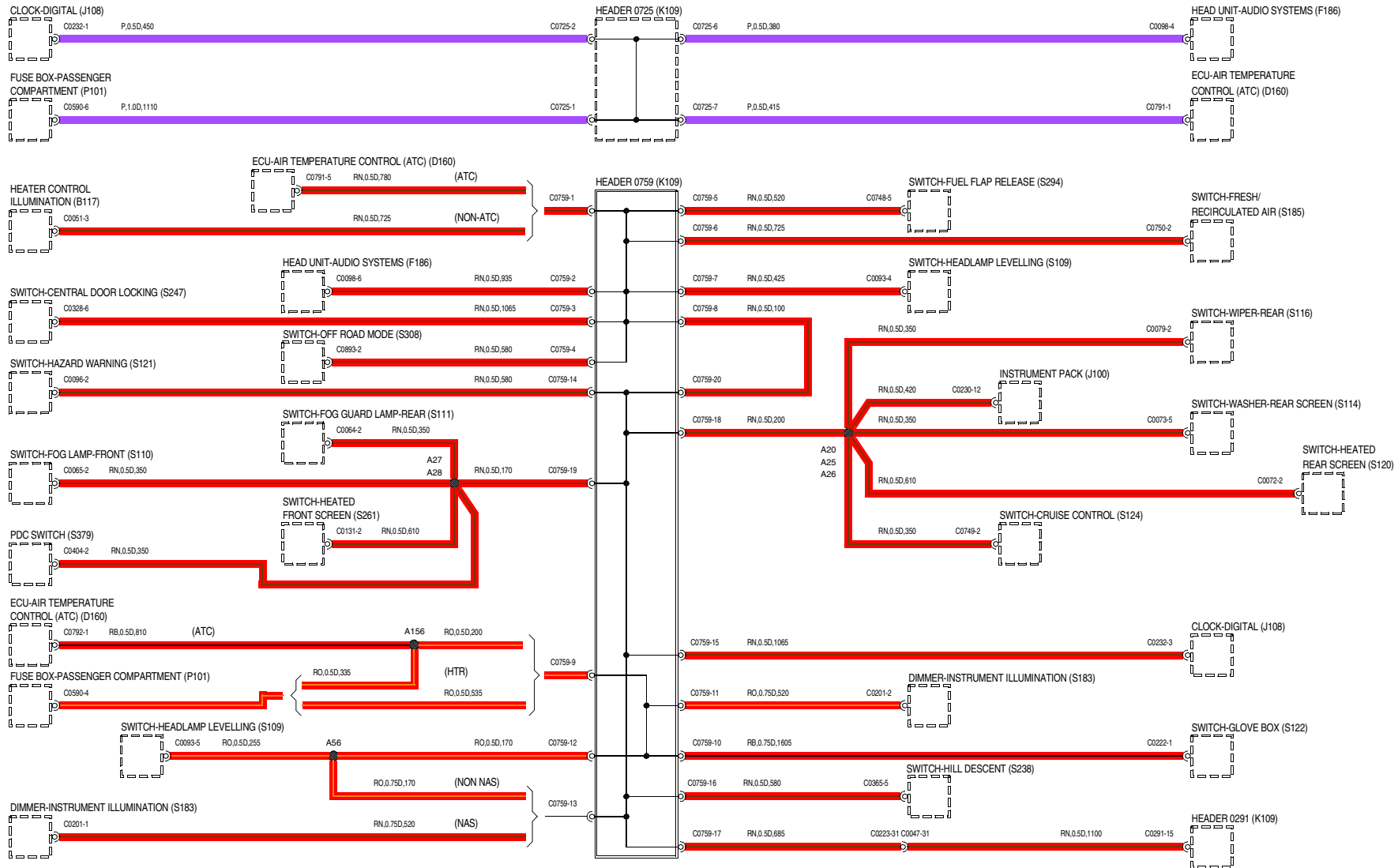


60 HEADER JOINTS



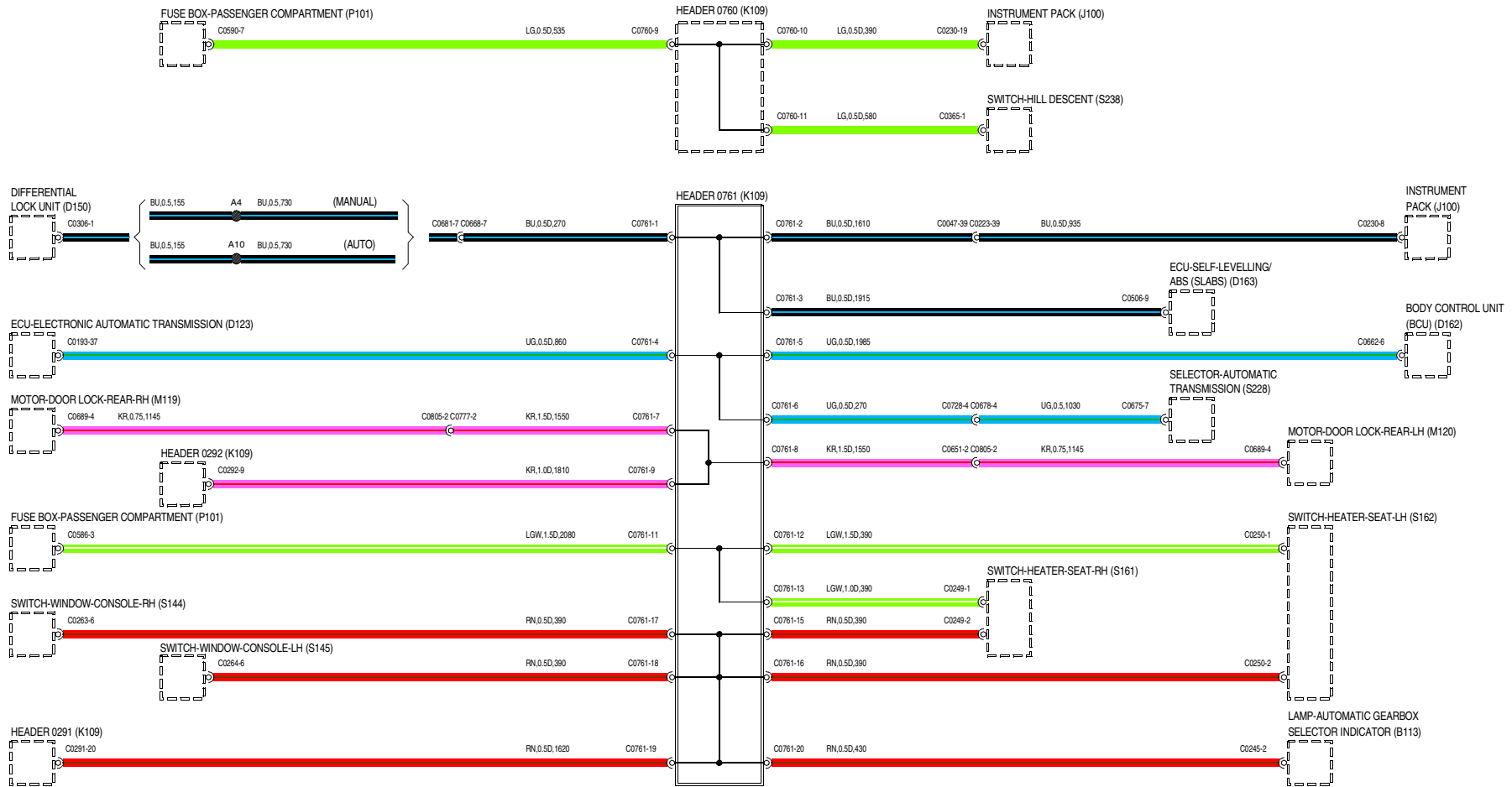
WVR105860-A-07

60 HEADER JOINTS



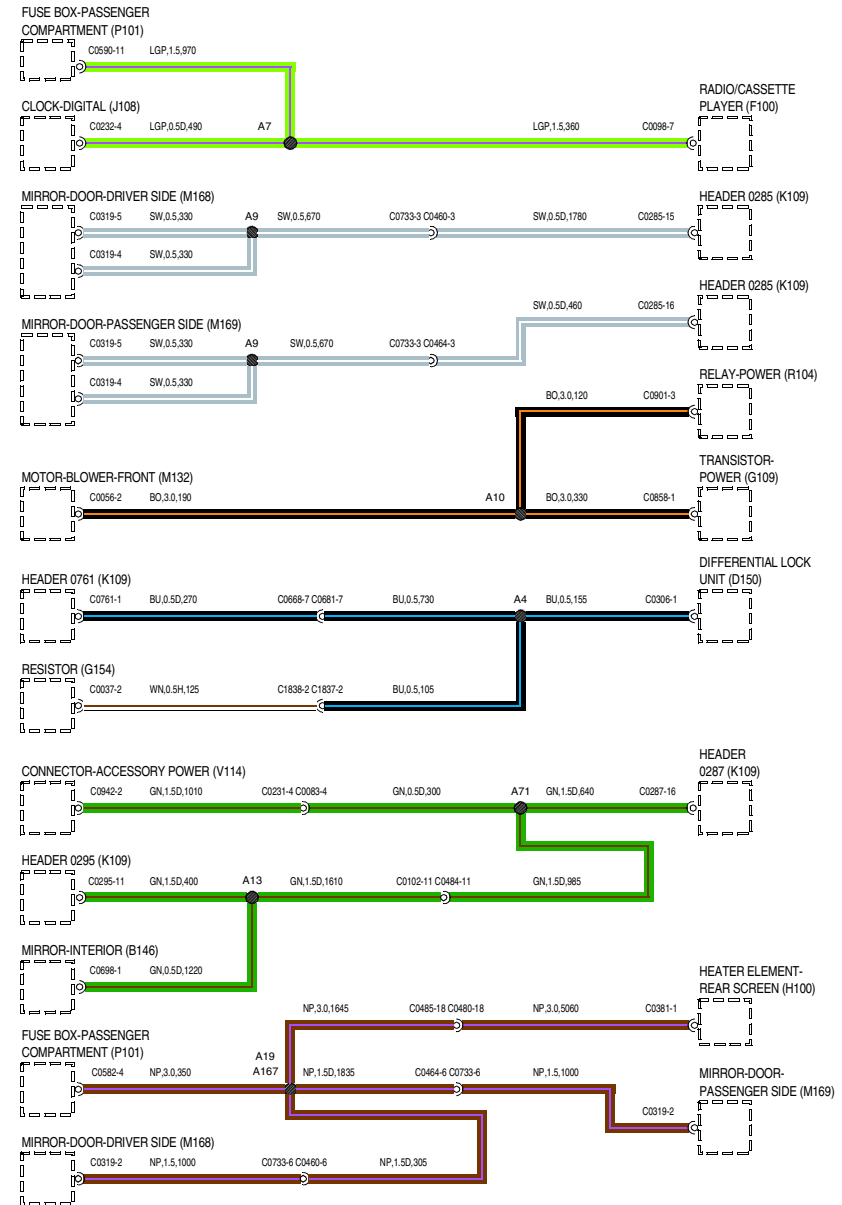
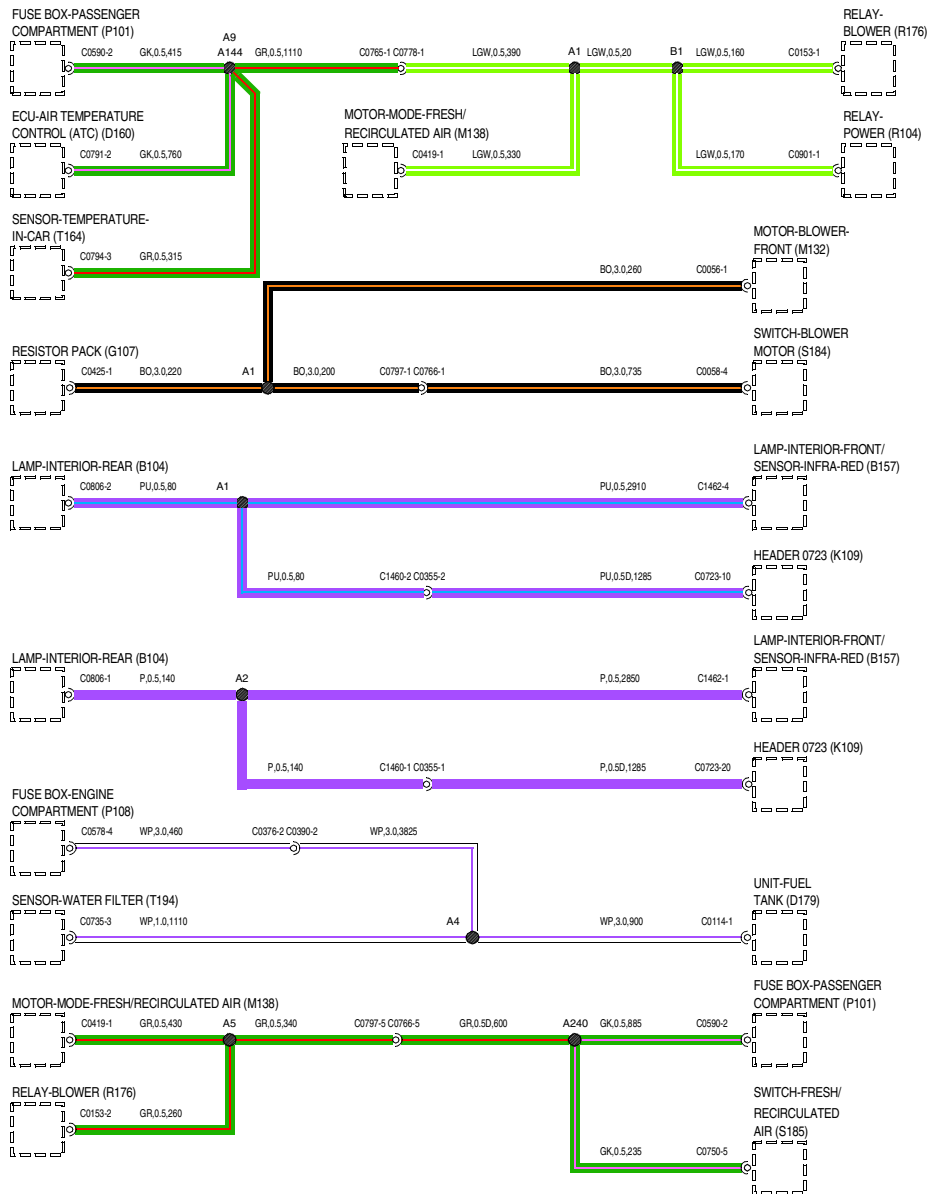
WVR102660-A-08

60 HEADER JOINTS



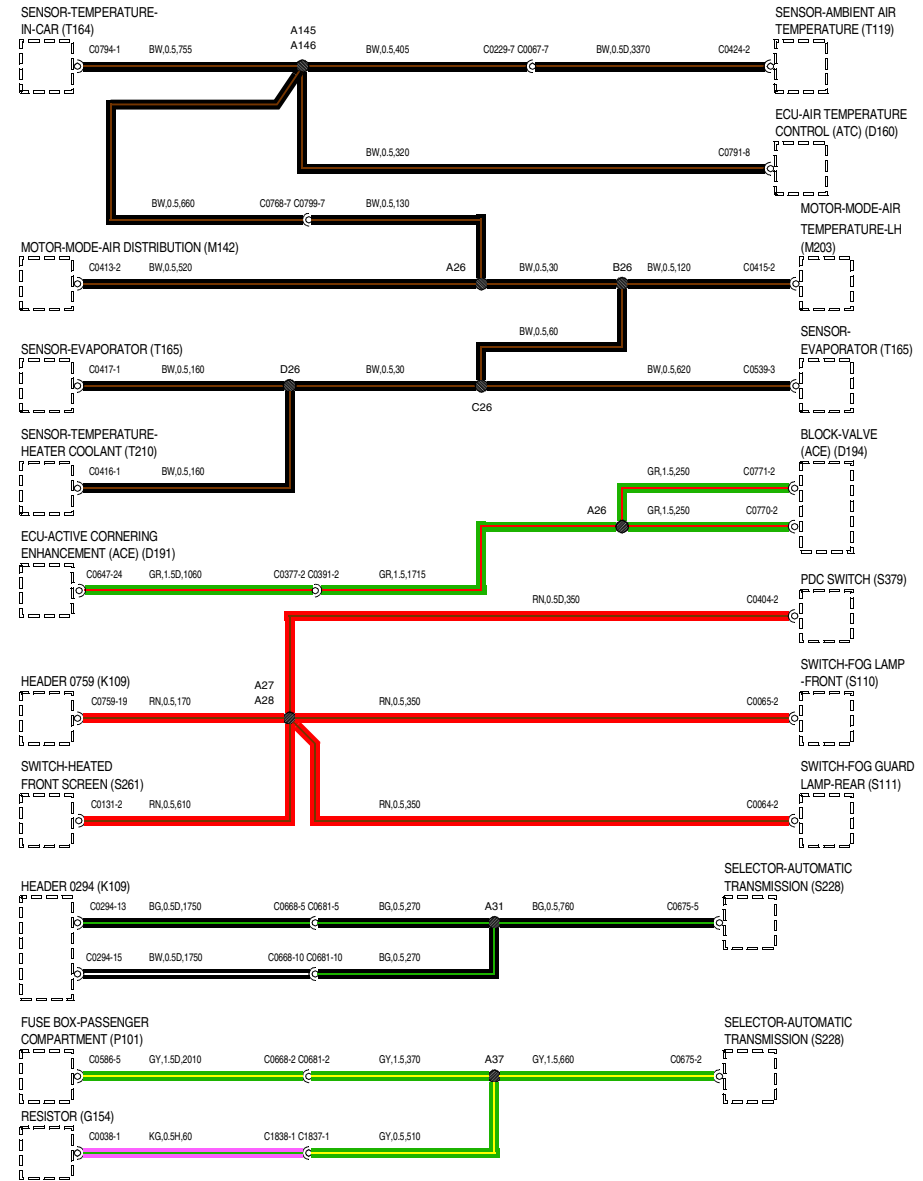
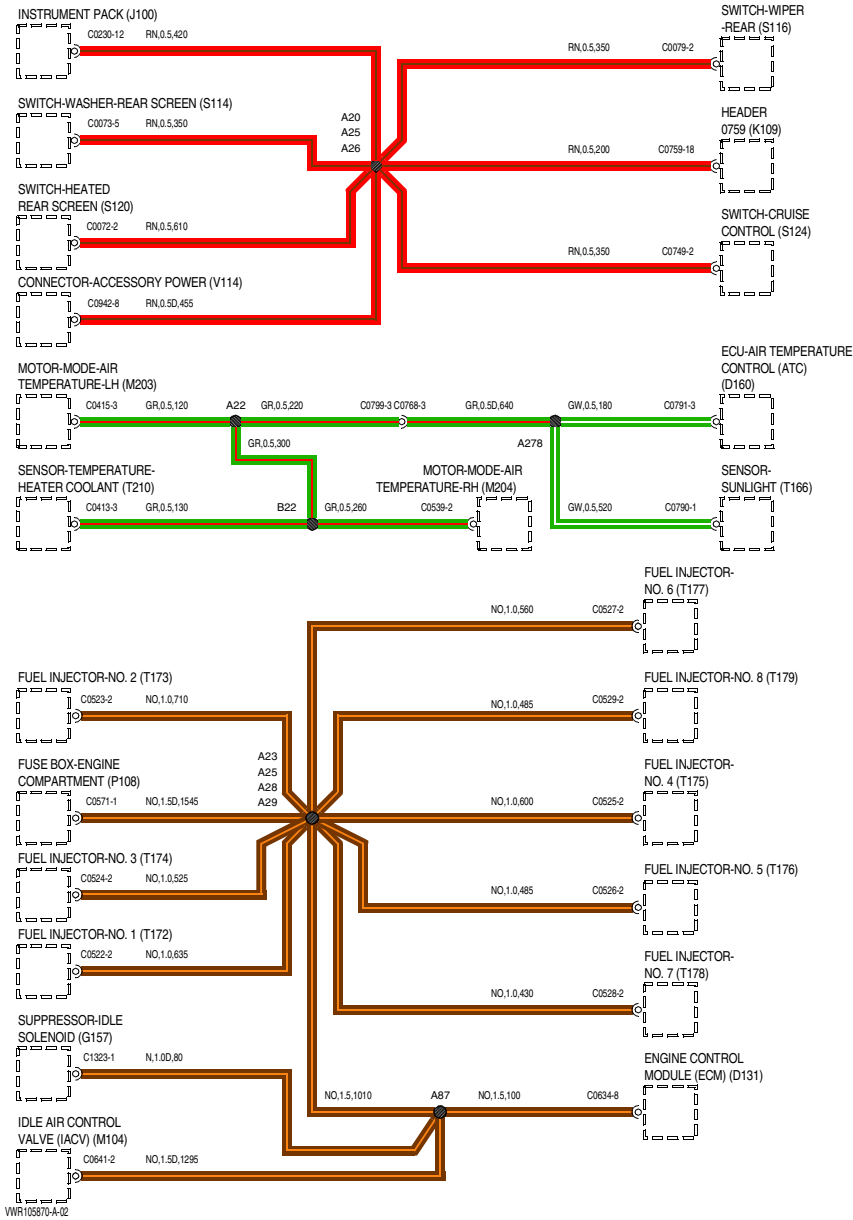
WVR105860-A-09

65 SPLICES AND CENTRE TAPS

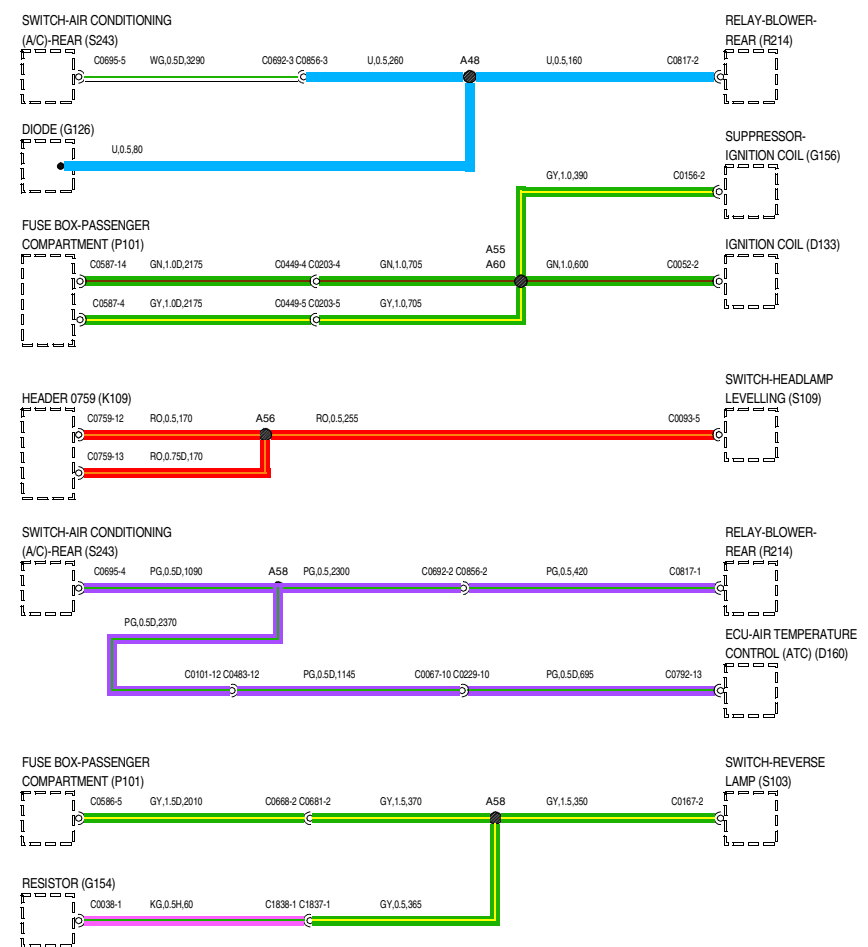
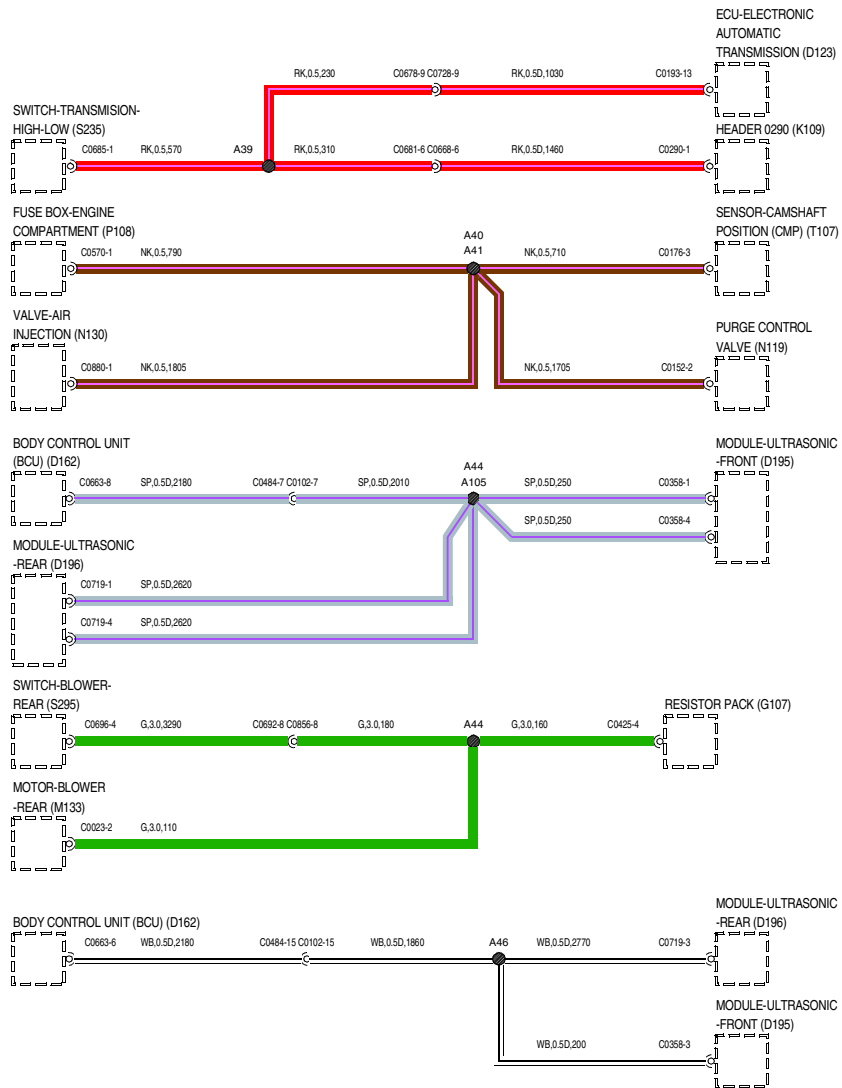


WWR105870-A-01

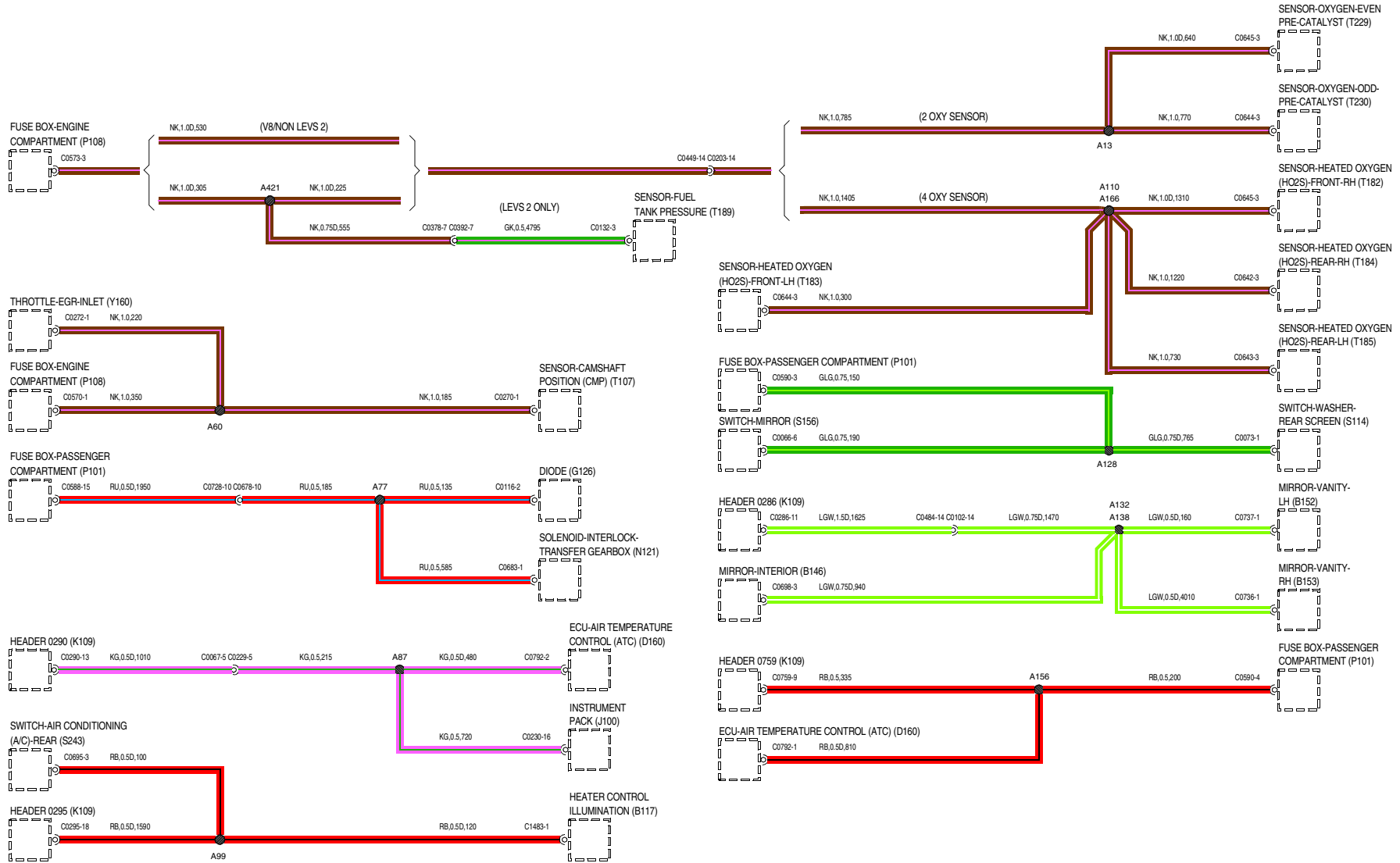
65 SPLICES AND CENTRE TAPS



65 SPLICES AND CENTRE TAPS

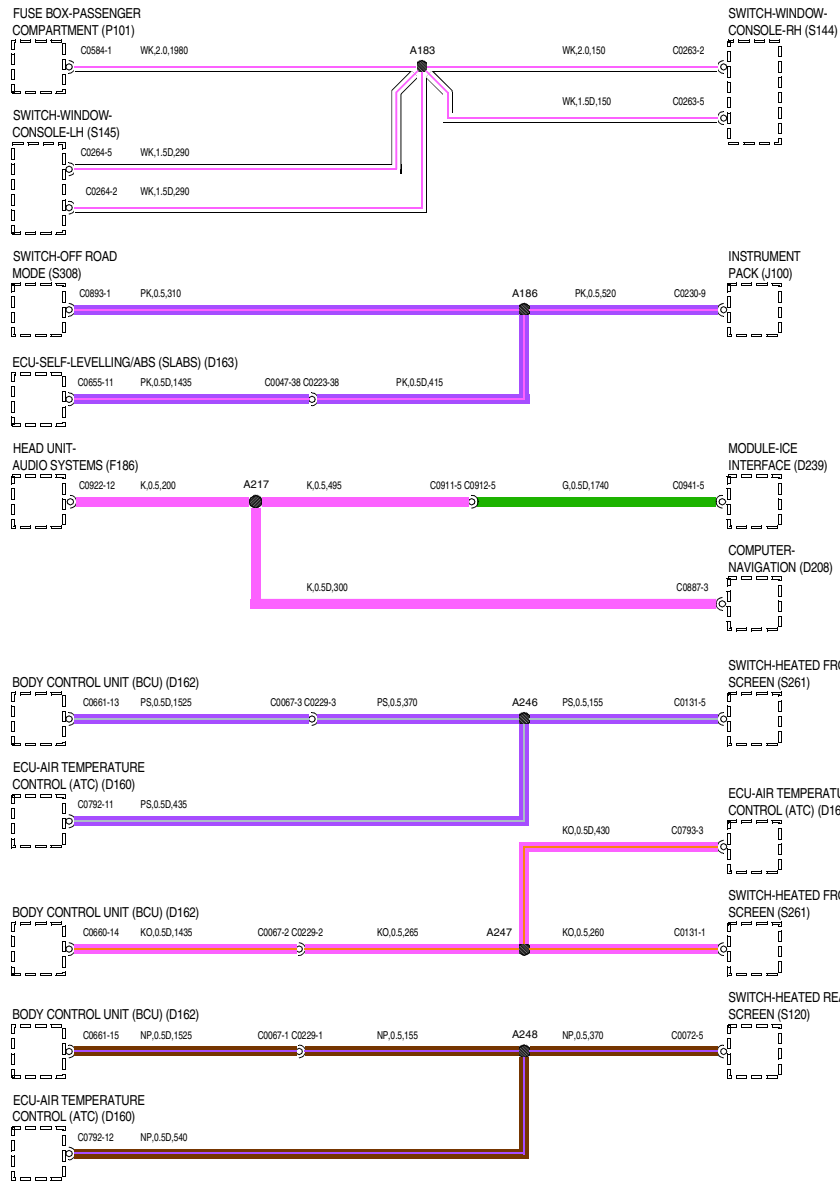


65 SPLICES AND CENTRE TAPS

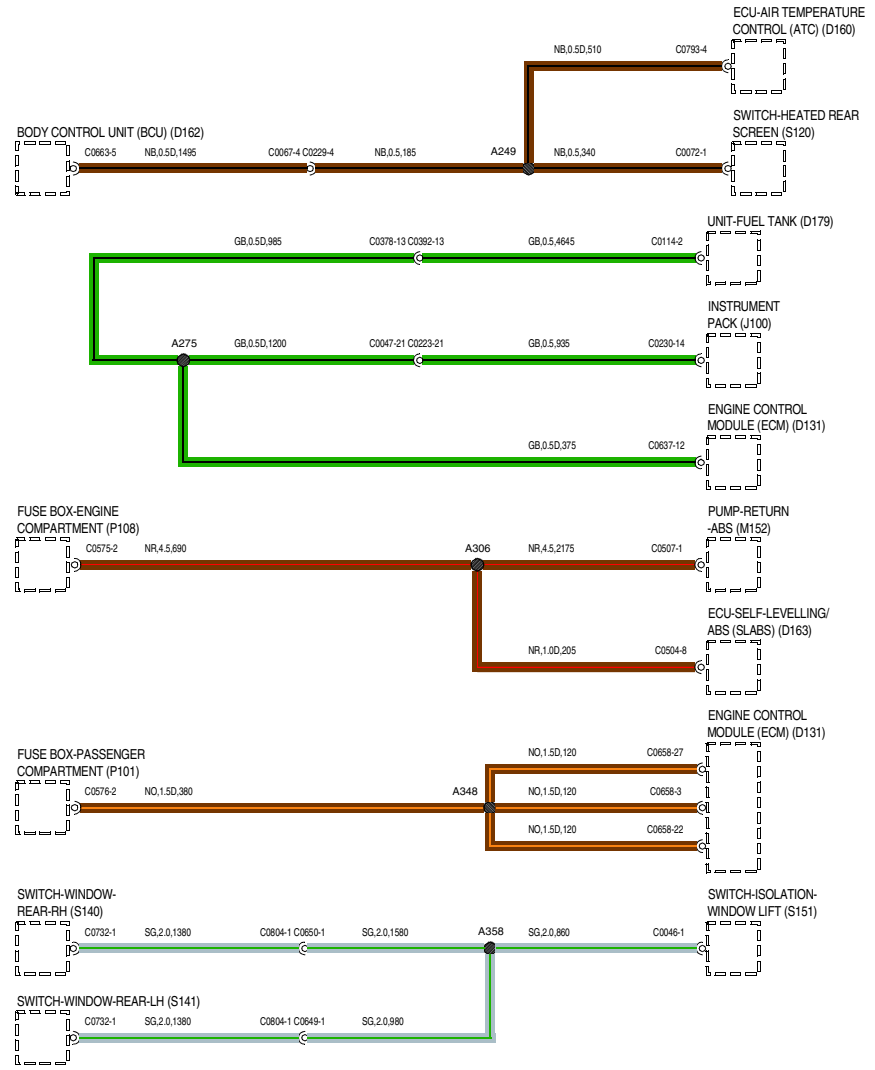


WVR102870-A-04

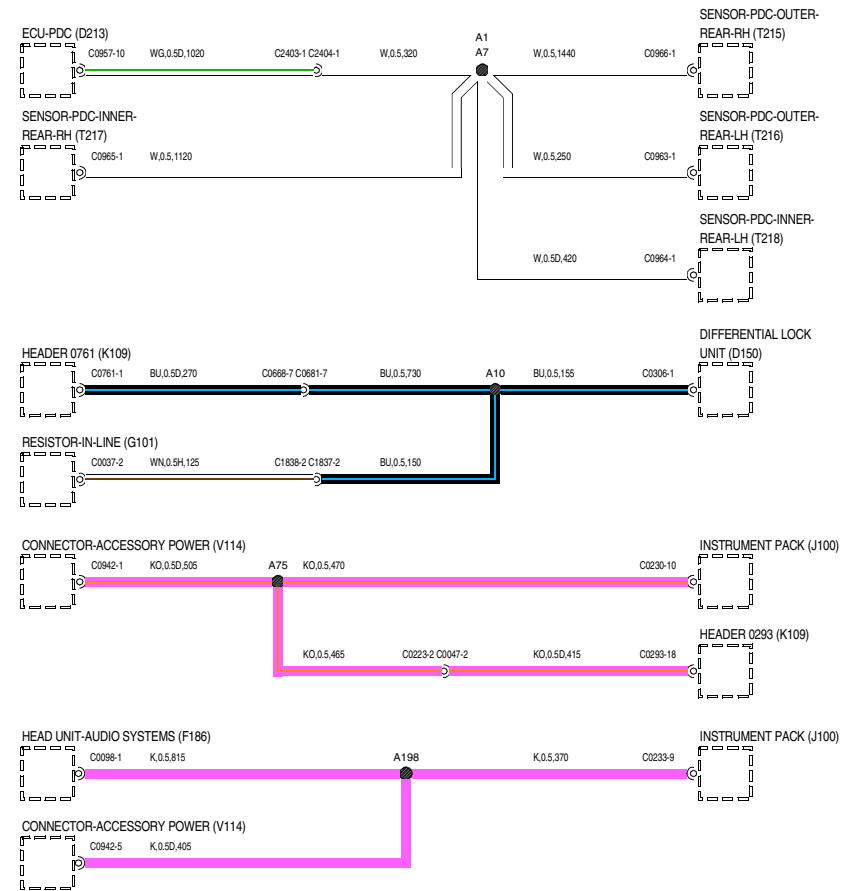
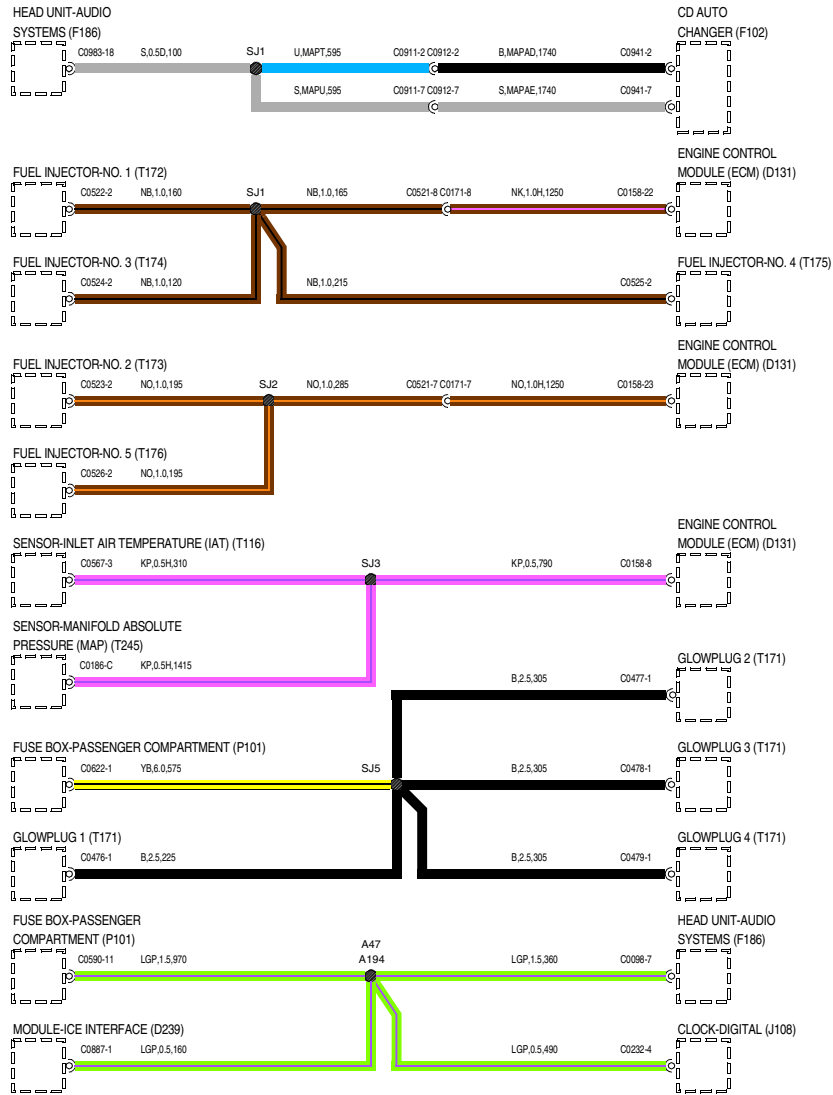
65 SPLICES AND CENTRE TAPS



VWR 105870-A-05

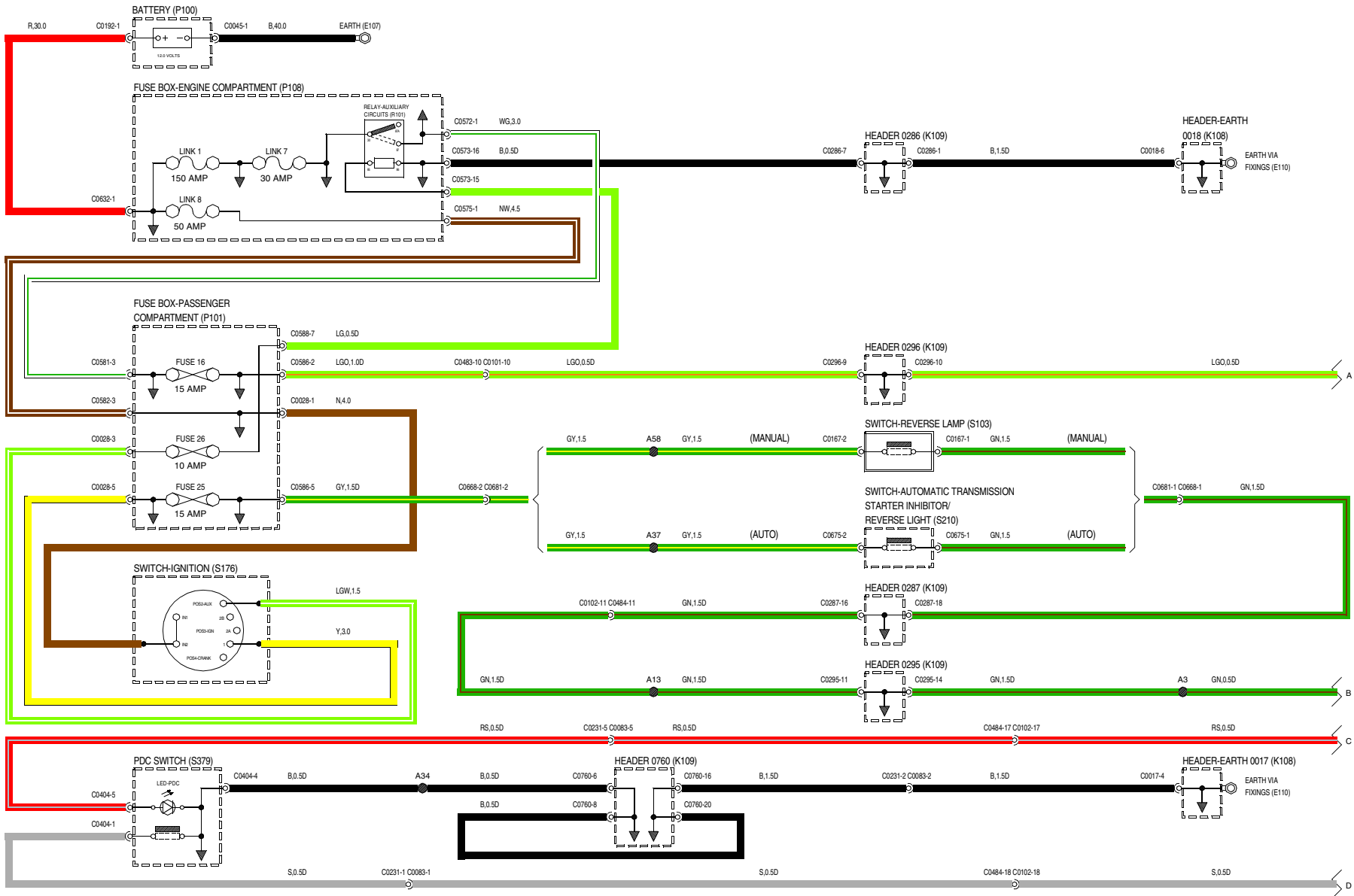


65 SPLICES AND CENTRE TAPS



WVR102870-A-06

75 PARK DISTANCE CONTROL (PDC)



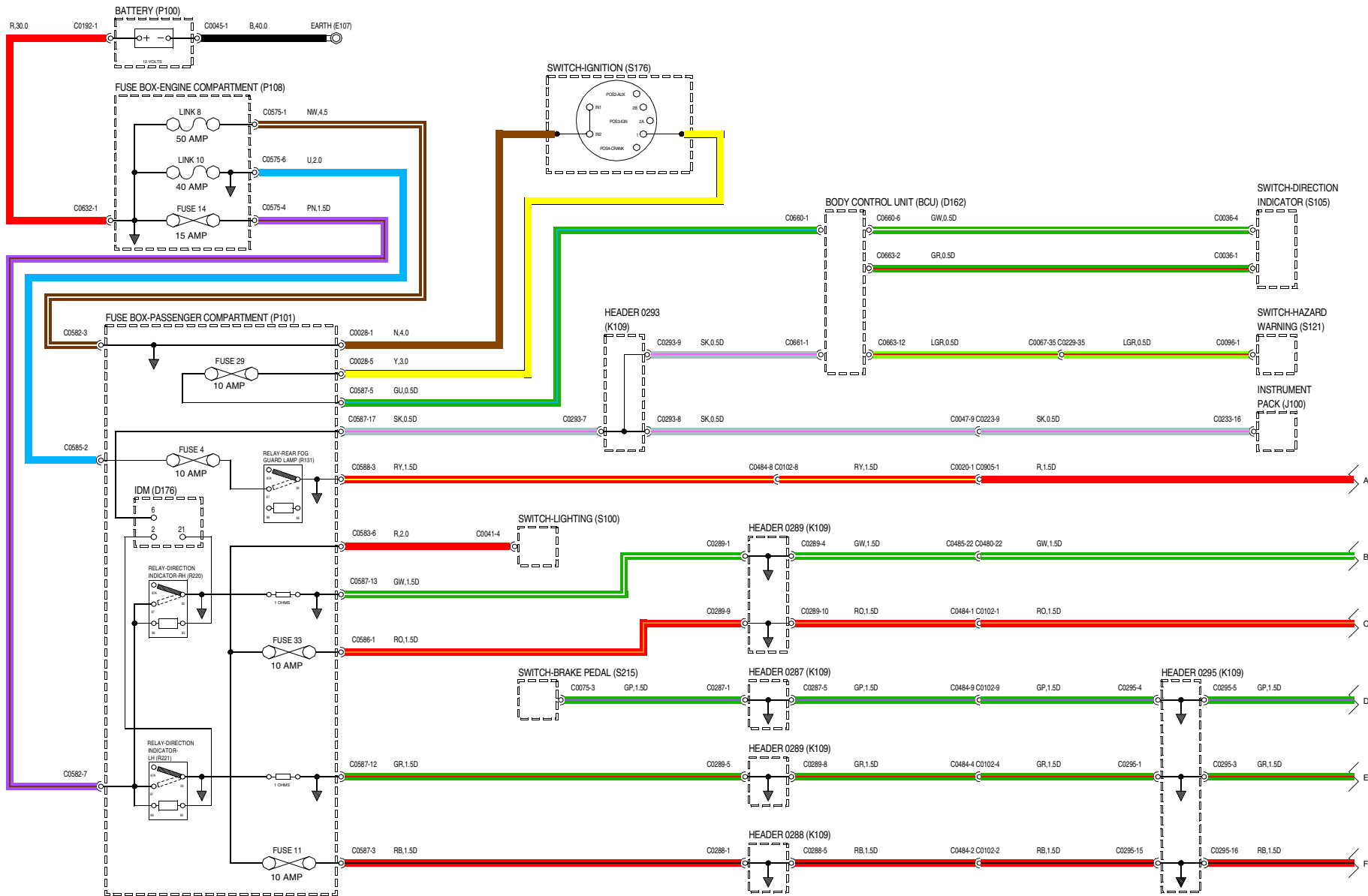
WRS00010-A-01

75 PARK DISTANCE CONTROL (PDC)



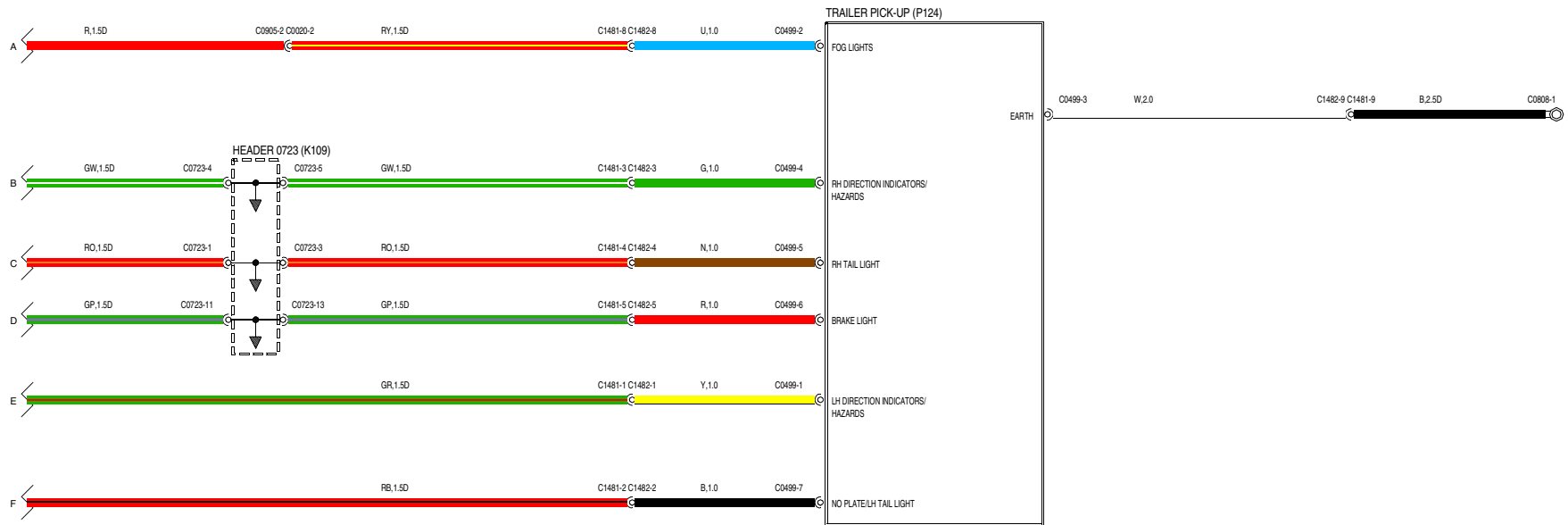
WRS00010-A-02

80 TRAILER SOCKET



WVR125030-A-01

80 TRAILER SOCKET



WVR125030-A-02